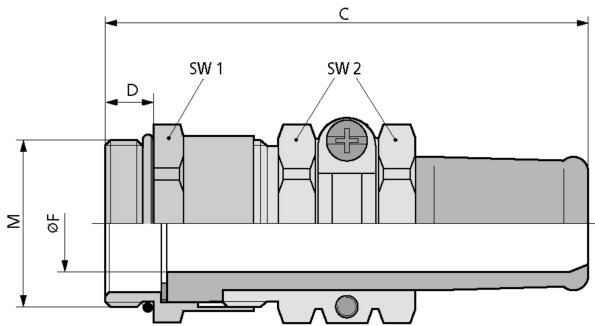
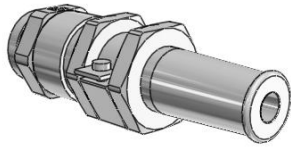


Product Description





Technical Data

ATN	52106410
M	M 12x1,5
FMIN	4
FMAX	5
F	4
SW1	14
A1	15.5
SW2	15
A2	17
C	49
D	5
MATERIAL	Messing vernickelt