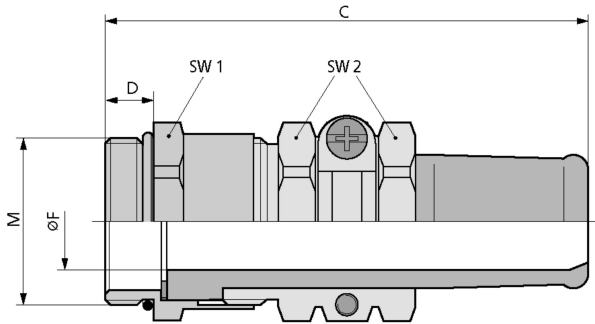
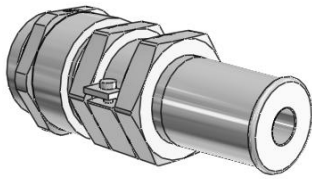


Product Description





**Technical Data**

ATN	52106430
M	M 20x1,5
FMIN	5.5
FMAX	7
F	5.5
SW1	22
A1	24
SW2	20
A2	22.8
C	55
D	6
MATERIAL	Messing vernickelt