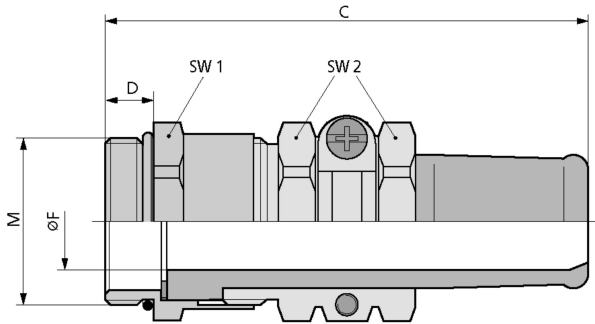
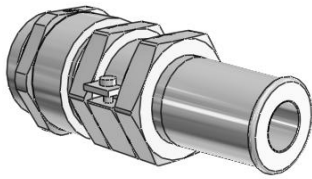


Product Description





Technical Data

ATN	52106440
M	M 20x1,5
FMIN	7.5
FMAX	9
F	7.5
SW1	22
A1	24
SW2	20
A2	22.8
C	55
D	6
MATERIAL	Messing vernickelt