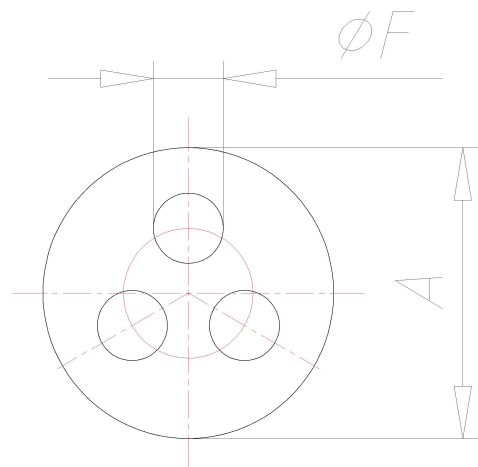
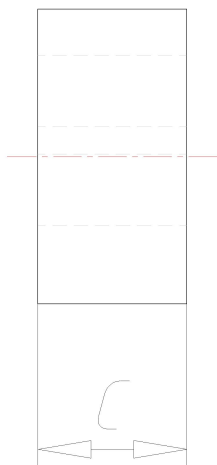
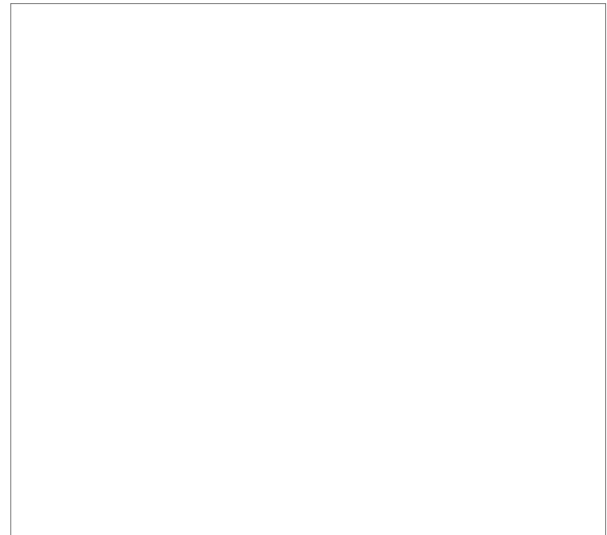
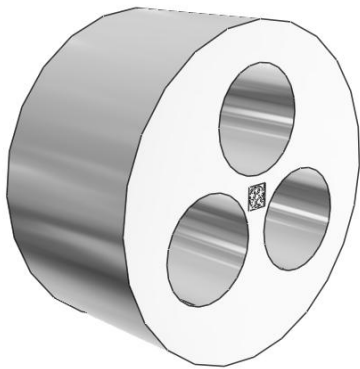


Product Description





Technical Data

ATN	53320353
GR	DIX-M 20
A	16.6
C	8.4
AB	3
F	5.3
MATERIAL	NBR