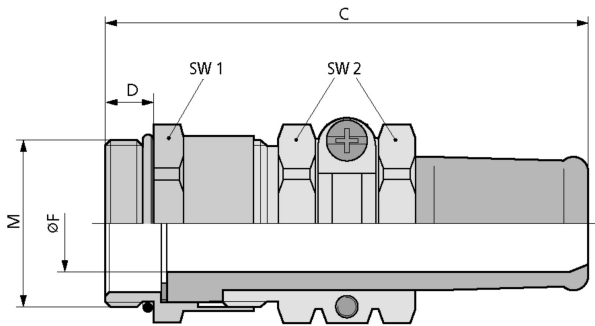
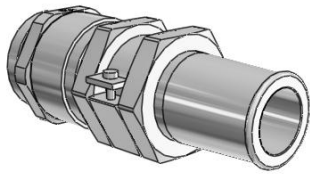


Product Description





**Technical Data**

ATN	52106470
M	M 20x1,5
FMIN	11
FMAX	13
F	11
SW1	22
A1	24
SW2	22
A2	25.1
C	60
D	6
MATERIAL	Messing vernickelt