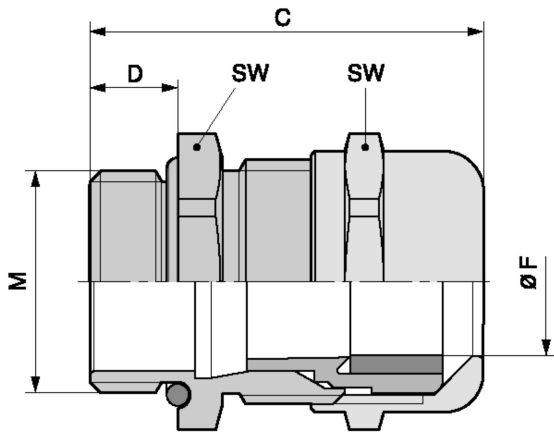
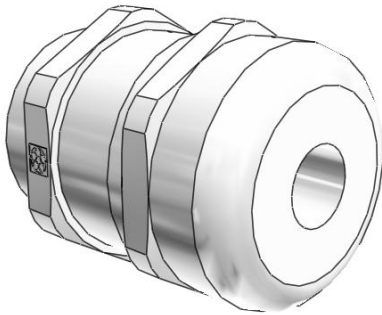


Product Description





Technical Data

ATN	53112730
M	M 25x1,5
FMIN	9
FMAX	17
F	9
SW	29
A	31.9
C	38.5
D	8
MATERIAL	Messing vernickelt