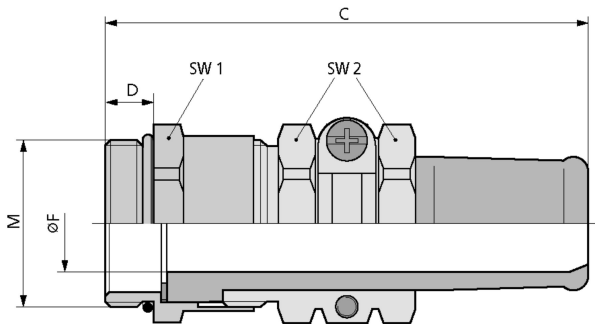
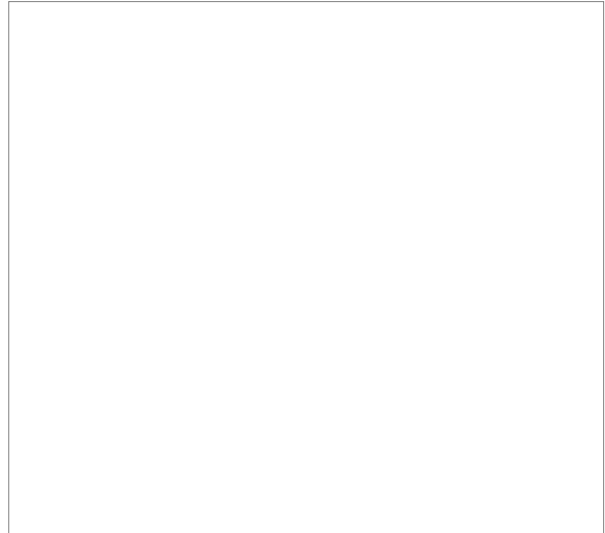
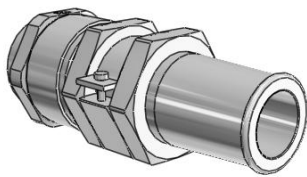


Product Description





**Technical Data**

|          |                    |
|----------|--------------------|
| ATN      | 52106480           |
| M        | M 20x1,5           |
| FMIN     | 12                 |
| FMAX     | 13                 |
| F        | 12                 |
| SW1      | 24                 |
| A1       | 26.2               |
| SW2      | 24                 |
| A2       | 27.4               |
| C        | 65                 |
| D        | 6                  |
| MATERIAL | Messing vernickelt |