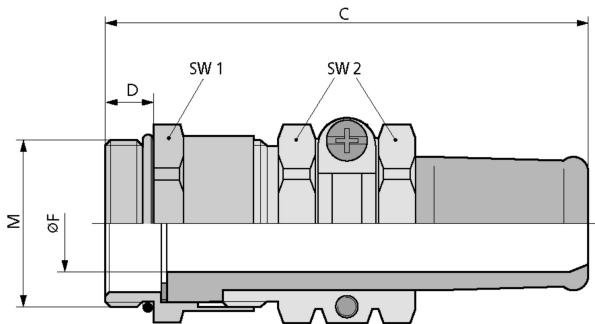
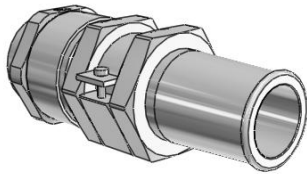


Product Description





**Technical Data**

ATN	52106481
M	M 20x1,5
FMIN	13
FMAX	15
F	13
SW1	24
A1	26.2
SW2	24
A2	27.4
C	65
D	6
MATERIAL	Messing vernickelt