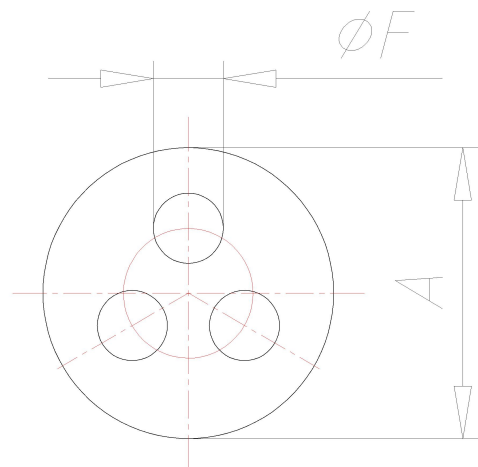
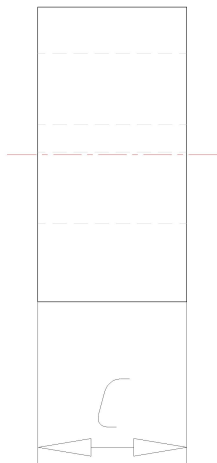
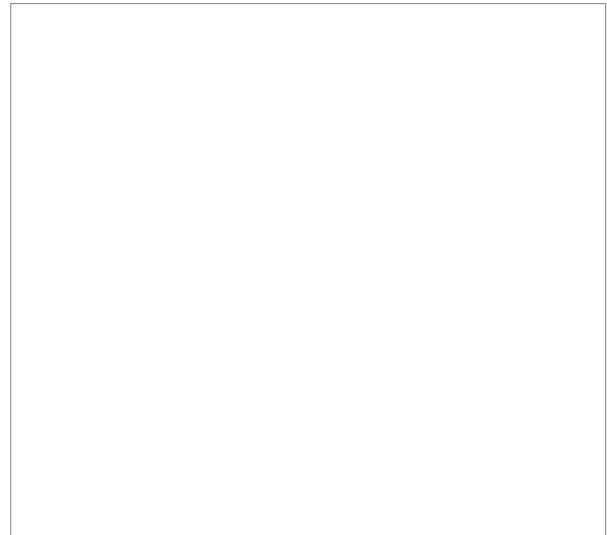
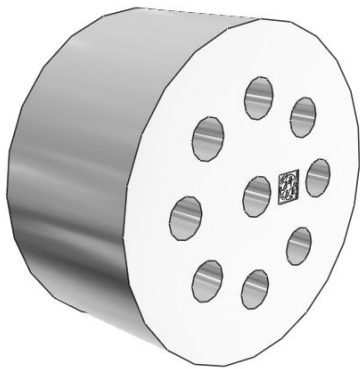


Product Description





Technical Data

ATN	53320920
GR	DIX-M 20
A	16.6
C	8.4
AB	9
F	2
MATERIAL	NBR