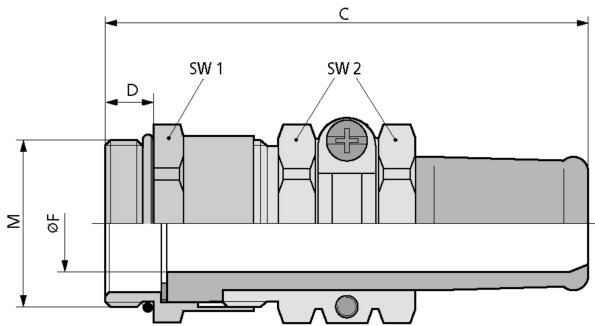
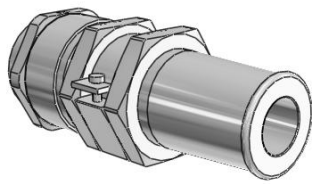


Product Description





Technical Data

ATN	52106490
M	M 25x1,5
FMIN	12.5
FMAX	15
F	12.5
SW1	30
A1	33
SW2	30
A2	34.3
C	78.5
D	7
MATERIAL	Messing vernickelt