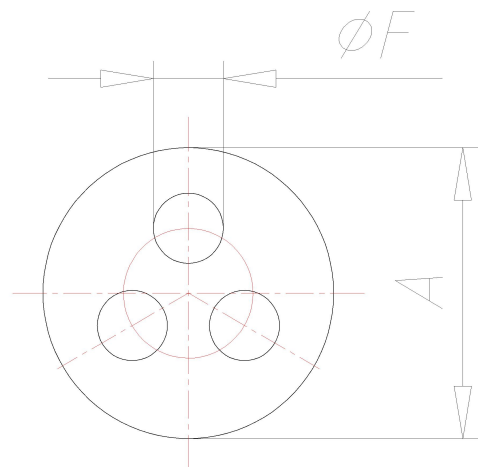
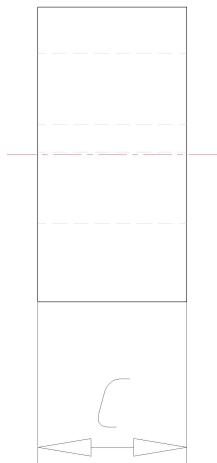
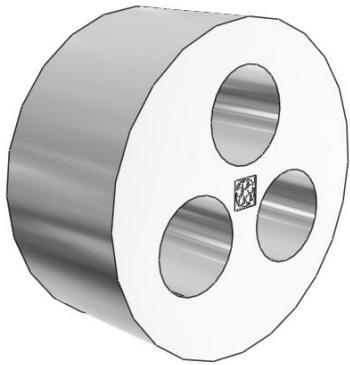


Product Description





**Technical Data**

ATN	53325360
GR	DIX-M 25
A	20.8
C	9.5
AB	3
F	6
MATERIAL	NBR