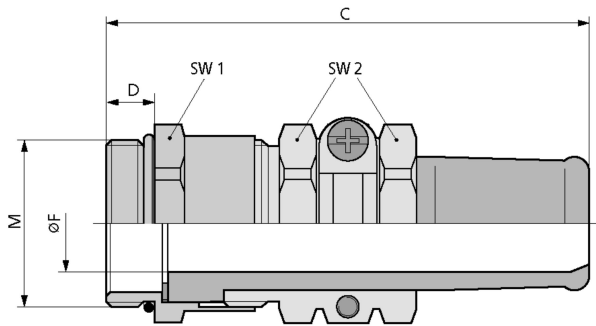
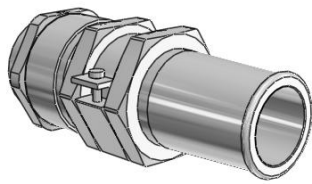


Product Description





Technical Data

ATN	52106510
M	M 25x1,5
FMIN	17
FMAX	19
F	17
SW1	30
A1	33
SW2	30
A2	34.3
C	78.5
D	7
MATERIAL	Messing vernickelt