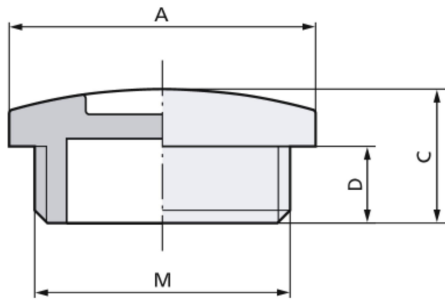
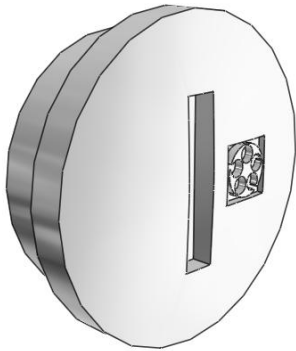


Product Description





Technical Data

ATN	52103110
M	M 16x1,5
A	19
C	8
D	5
MATERIAL	Messing vernickelt