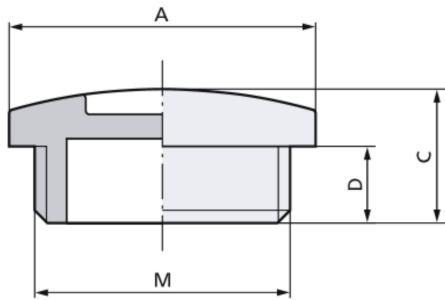
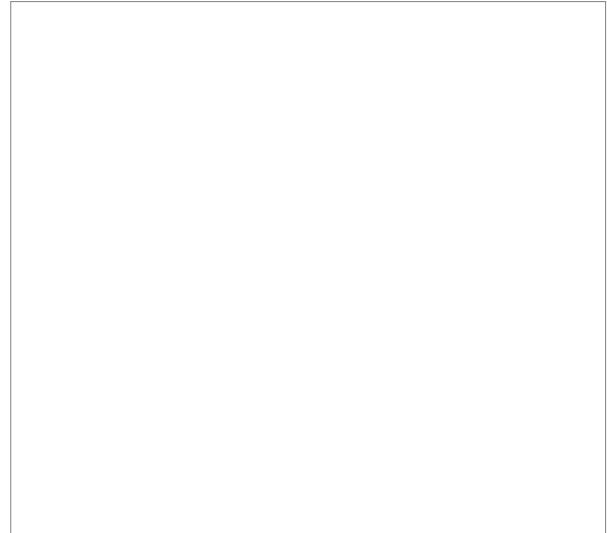
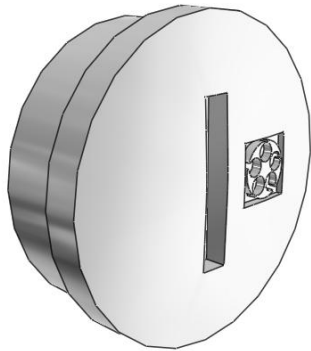


Product Description





**Technical Data**

ATN	52103120
M	M 20x1,5
A	22
C	9.5
D	6
MATERIAL	Messing vernickelt