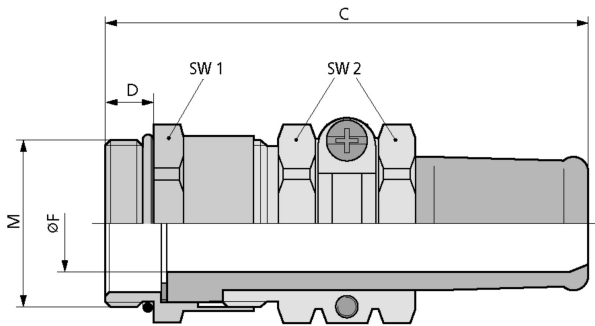
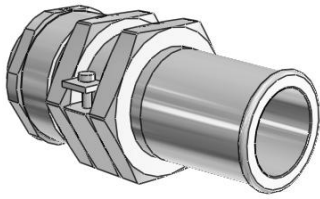


Product Description





### Technical Data

ATN	52106540
M	M 32x1,5
FMIN	22
FMAX	23
F	22
SW1	40
A1	42.5
SW2	41
A2	47
C	90.5
D	8
MATERIAL	Messing vernickelt