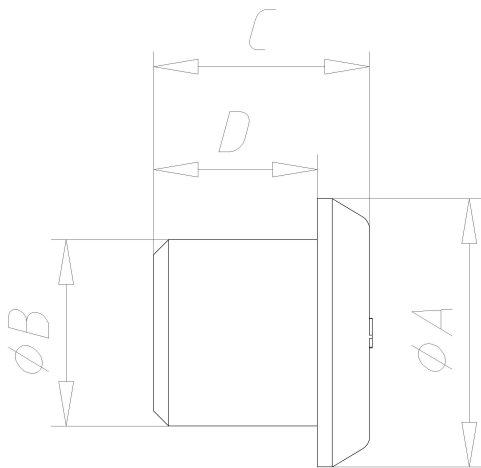
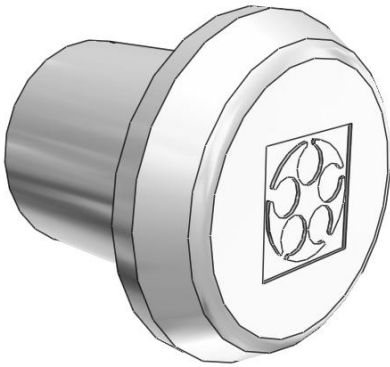


Product Description





**Technical Data**

ATN	54113012
GR	SDV-M16 ATEX
A	13.5
B	9.3
C	13
D	10
MATERIAL	CR