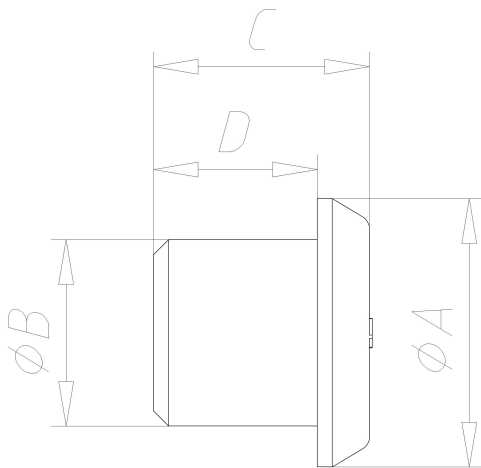
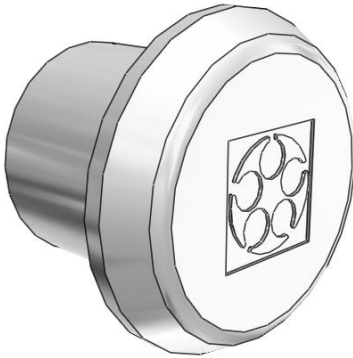


Product Description





Technical Data

ATN	54113022
GR	SDV-M20 ATEX
A	18
B	12.5
C	14.5
D	11
MATERIAL	CR