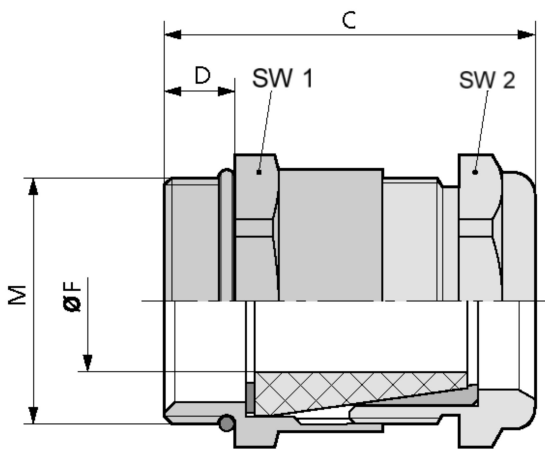
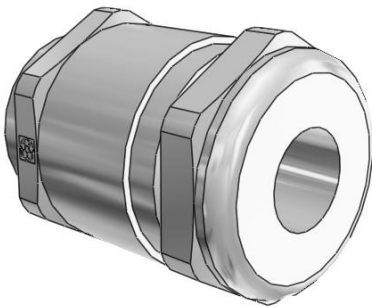


Product Description





Technical Data

ATN	52105350
M	M 20x1,5
FMIN	9.5
FMAX	12.8
F	9.5
SW1	24
A1	26.7
SW2	24
A2	26.7
C	34.5
D	6
MATERIAL	Messing vernickelt