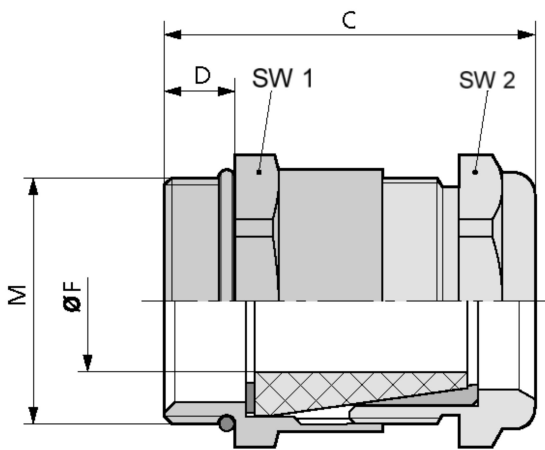
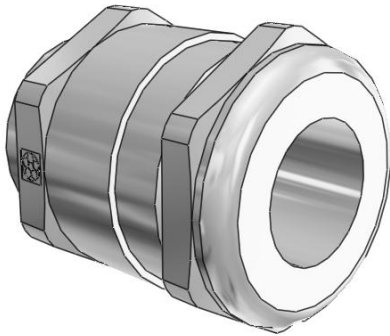


Product Description





**Technical Data**

ATN	52105380
M	M 25x1,5
FMIN	15
FMAX	17.8
F	15
SW1	30
A1	33.5
SW2	30
A2	33.5
C	38.5
D	7
MATERIAL	Messing vernickelt