

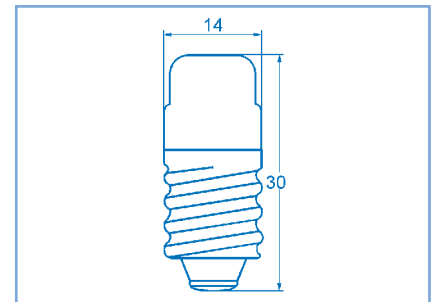
**Röhrenlampen T4**

**KRL/I**

**Socket E14**

**(14 x 30 mm)**

Spannung	Strom	Leistung	Artikel-Nr.	EAN 4021553....
6V	180mA	1,0W	<b>00250618</b>	152004
	330mA	2,0W	<b>00250602</b>	152011
	500mA	3,0W	<b>00250603</b>	152028
	850mA	5,0W	<b>00250605</b>	152035
12V	100mA	1,2W	<b>00251212</b>	152042
	166mA	2,0W	<b>00251202</b>	152059
	250mA	3,0W	<b>00251203</b>	152066
	420mA	5,0W	<b>00251205</b>	152318
24V	50mA	1,2W	<b>00252412</b>	152073
	80mA	2,0W	<b>00252408</b>	152080
	125mA	3,0W	<b>00252403</b>	152097
	200mA	5,0W	<b>00252405</b>	152103
24-30V		2,0W	<b>00253008</b>	152264
30V	50mA	1,5W	<b>00253015</b>	152325
	70mA	2,0W	<b>00253002</b>	152110
	100mA	3,0W	<b>00253003</b>	152127
	166mA	5,0W	<b>00253005</b>	152134
36V	55mA	2,0W	<b>00253602</b>	152141
	80mA	3,0W	<b>00253603</b>	152158
	140mA	5,0W	<b>00253605</b>	152356
42V	70mA	3,0W	<b>00254203</b>	152165
	120mA	5,0W	<b>00254205</b>	152172
48V	42mA	2,0W	<b>00254802</b>	152189
	63mA	3,0W	<b>00254803</b>	152196
	100mA	5,0W	<b>00254805</b>	152202
48-60V		2,0W	<b>00256002</b>	152288
60V	20mA	1,2W	<b>00256012</b>	152219
	33mA	2,0W	<b>00256102</b>	152226
	50mA	3,0W	<b>00256003</b>	152233
	83mA	5,0W	<b>00256005</b>	152240
110-130V		2,6W	<b>00251320</b>	152295
130V	38mA	5,0W	<b>00251305</b>	152332
220-260V		5,0W	<b>00252605</b>	152257
		5-7W	<b>00252607</b>	152349
<b>Lampenzieher T4</b>			<b>01909008</b>	



Röhrenlampen

Abweichende Spannungen und Leistungen auf Anfrage lieferbar (VPE 100 Stück) !