



## Kabelbriden

Stahl  
 für Kabel-Ø 4.0 - Ø 18.0

## Brides de câble

acier  
 pour câble-Ø 4.0 - Ø 18.0

## Cable clips

steel  
 for cable-Ø 4.0 - Ø 18.0

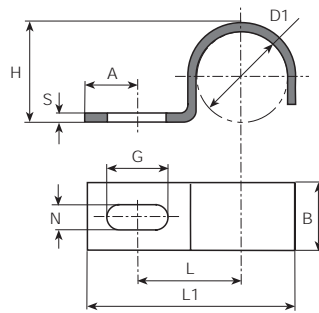
Werkstoff:  
 ST zn = Stahl verzinkt

Matériau:  
 ST zn = acier zingué

Material:  
 ST zn = zinc-plated steel

**Bestellbeispiel:**  
**Exemple de commande:**  
**Example of order:**

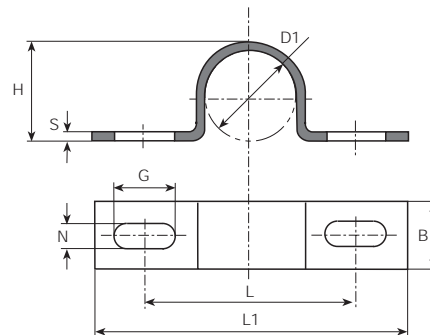
**5000.99**  
 (5000 ST zn)



øD 1 mm	L mm	L1 mm	A mm	N mm	G mm	B mm	H mm	S mm	Stand.-Packg.	Artikel-Nr. Numéro d'article Part-No.
4	6.5	14	4.5	3.6	4.8	8	5	0.8	500	<b>5000.99</b>
4.5	7	14.5	4.5	3.6	4.8	8	4.8	0.8	500	<b>5001.99</b>
5	7.5	14.7	4	3.6	4.8	8	5	0.8	500	<b>5002.99</b>
6	7.2	15	3.8	3.6	4.8	8	6.4	0.8	500	<b>5003.99</b>
7	7.5	16.5	4.5	3.6	4.8	8	6.8	0.8	500	<b>5004.99</b>
8	9.2	18.2	3.8	3.6	4.8	8	8	0.8	500	<b>5005.99</b>
9	11	23.7	6	4.2	5.7	9	8.8	1	200	<b>5006.99</b>
11	12.3	24	4.7	4.5	6	9	10.8	1	200	<b>5007.99</b>

**Bestellbeispiel:**  
**Exemple de commande:**  
**Example of order:**

**5100.99**  
 (5100 ST zn)



øD 1 mm	L mm	L1 mm	N mm	G mm	B mm	H mm	S mm	Stand.-Packg.	Artikel-Nr. Numéro d'article Part-No.
7	20	29.5	4.2	5.7	10	8	1	200	<b>5100.99</b>
9.5	21	29.5	4.2	6	10	10.4	0.9	200	<b>5101.99</b>
11	24	35.5	4.2	6	10	12.2	1.2	200	<b>5102.99</b>
13	26	38	4.2	5.7	10	14	0.9	200	<b>5103.99</b>
18	32	44.5	4.8	6.5	10	20	1.2	200	<b>5105.99</b>



## Kabelbriden

**Stahl**  
**Rostfreier Stahl**  
 für Kabel-Ø 2.0 - Ø 5.0

## Brides de câble

**acier**  
**acier inox**  
 pour câble-Ø 2.0 - Ø 5.0

## Cable clips

**steel**  
**stainless steel**  
 for cable-Ø 2.0 - Ø 5.0

Werkstoff:

ST zn = Stahl verzinkt  
 ST ni = Stahl vernickelt  
 RF = Rostfreier Stahl

Matière:

ST zn = acier zingué  
 ST ni = acier nickelé  
 RF = acier inox

Material:

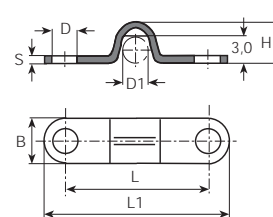
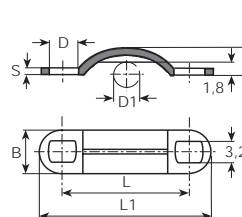
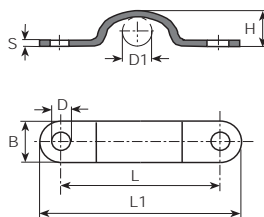
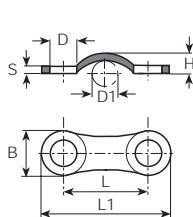
ST zn = zinc-plated steel  
 ST ni = nickel-plated steel  
 RF = stainless steel

### Bestellbeispiel:

**Exemple de commande:**  
**Example of order:**

### 5114.99

(5114 ST zn)



Artikel-Nr.  
 Numéro d'article  
 Part-No.

### 5114.99 (ST zn)

D1 ø 2.0  
 L 11.0  
 L1 17.1  
 D ø 3.5  
 B 6.1  
 H 2.0  
 S 1.0

### 5121.99 (ST zn)

D1 ø 2.5  
 L 13.0  
 L1 18.0  
 D ø 2.7  
 B 4.0  
 H 2.5  
 S 1.0

### 5115.99 (ST zn)

D1 ø 2.5  
 L 16.0  
 L1 23.0  
 D ø 4.0  
 B 6.3  
 H 3.3  
 S 1.0

### 5120B.99 (ST zn)

D1 ø 3.5  
 L 20.0  
 L1 26.0  
 D ø 3.3  
 B 6.0  
 H 5.0  
 S 0.8

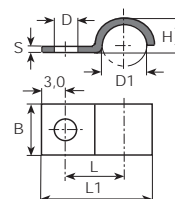
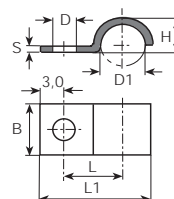
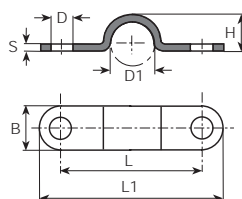
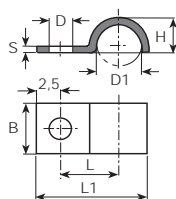
Stand.-Packg.

1000

500

1000

1000



Artikel-Nr.  
 Numéro d'article  
 Part-No.

### 5117.80 (RF)

D1 ø 3.6  
 L 5.3  
 L1 10.1  
 D ø 2.6  
 B 5.0  
 H 3.3  
 S 0.5

### 5120A.99 (ST zn)

D1 ø 4.5  
 L 20.0  
 L1 26.0  
 D ø 3.3  
 B 6.0  
 H 5.0  
 S 0.8

### 5112.99 (ST zn)

### 5112.95 (ST ni)

D1 ø 5.0  
 L 6.5  
 L1 15.2  
 D ø 3.2  
 B 7.0  
 H 5.0  
 S 1.0

### 5116.99 (ST zn)

D1 ø 5.0  
 L 6.5  
 L1 15.2  
 D ø 4.3  
 B 7.0  
 H 5.0  
 S 1.0

Stand.-Packg.

1000

1000

1000

1000



## Kabelbriden

Messing  
 Stahl  
 Presspan  
 für Kabel-Ø 5.5 - Ø 8.0

Werkstoff:  
 MS bl = Messing blank  
 ST zn = Stahl verzinkt  
 PR = Presspan

## Brides de câble

laiton  
 acier  
 presspan  
 pour câble-Ø 5.5 - Ø 8.0

Matière:  
 MS bl = laiton brut  
 ST zn = acier zingué  
 PR = presspan

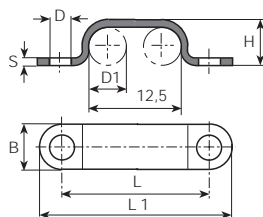
## Cable clips

brass  
 steel  
 pressboard  
 for cable-Ø 5.5 - Ø 8.0

Material:  
 MS bl = clean brass  
 ST zn = zinc-plated steel  
 PR = pressboard

**Bestellbeispiel:**  
**Exemple de commande:**  
**Example of order:**

**5125.99**  
 (5125 ST zn)

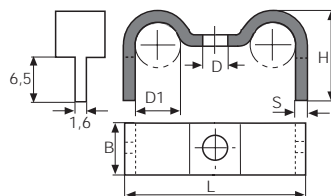


Artikel-Nr.  
 Numéro d'article  
 Part-No.

<b>5125.99</b>	(ST zn)
D1	ø 5.5
L	20.0
L1	26.0
D	ø 3.3
B	6.0
H	5.7
S	0.8

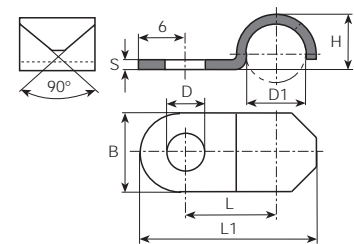
Stand.-Packg.

500



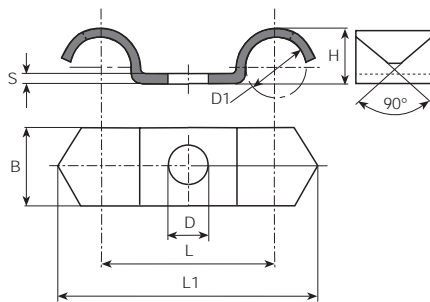
<b>5130.99</b>	(ST zn)
D1	ø 4.5-5.5
L	24.0
D	ø 3.2
B	7.2
H	11.0
S	1.5

200



<b>5113.60</b>	(MS bl)
D1	ø 8.0
L	12.0
L1	23.0
D	ø 5.0
B	10.0
H	7.5
S	1.0

500

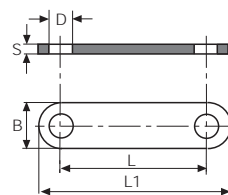


Artikel-Nr.  
 Numéro d'article  
 Part-No.

<b>5123.60</b>	(MS bl)
D1	ø 8.0
L	23.0
L1	34.5
D	ø 5.0
B	10.5
H	7.5
S	1.2

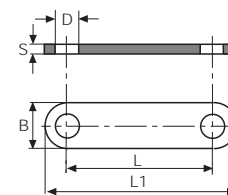
Stand.-Packg.

200



<b>5135.99</b>	(ST zn)
L	19.5
L1	25.5
D	ø 3.3
B	6.0
S	1.0

1000



<b>5135.PR</b>	(PR)
L	19.5
L1	25.5
D	ø 3.3
B	6.0
S	1.0

1000