



Kabelbriden

Stahl
 für Kabel-Ø 4.0 - Ø 18.0

Brides de câble

acier
 pour câble-Ø 4.0 - Ø 18.0

Cable clips

steel
 for cable-Ø 4.0 - Ø 18.0

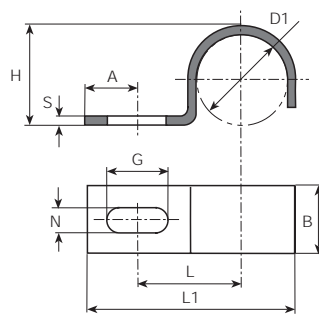
Werkstoff:
 ST zn = Stahl verzinkt

Matériau:
 ST zn = acier zingué

Material:
 ST zn = zinc-plated steel

Bestellbeispiel:
Exemple de commande:
Example of order:

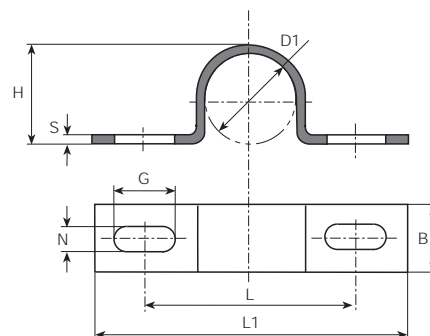
5000.99
 (5000 ST zn)



øD 1 mm	L mm	L1 mm	A mm	N mm	G mm	B mm	H mm	S mm	Stand.-Packg.	Artikel-Nr. Numéro d'article Part-No.
4	6.5	14	4.5	3.6	4.8	8	5	0.8	500	5000.99
4.5	7	14.5	4.5	3.6	4.8	8	4.8	0.8	500	5001.99
5	7.5	14.7	4	3.6	4.8	8	5	0.8	500	5002.99
6	7.2	15	3.8	3.6	4.8	8	6.4	0.8	500	5003.99
7	7.5	16.5	4.5	3.6	4.8	8	6.8	0.8	500	5004.99
8	9.2	18.2	3.8	3.6	4.8	8	8	0.8	500	5005.99
9	11	23.7	6	4.2	5.7	9	8.8	1	200	5006.99
11	12.3	24	4.7	4.5	6	9	10.8	1	200	5007.99

Bestellbeispiel:
Exemple de commande:
Example of order:

5100.99
 (5100 ST zn)



øD 1 mm	L mm	L1 mm	N mm	G mm	B mm	H mm	S mm	Stand.-Packg.	Artikel-Nr. Numéro d'article Part-No.
7	20	29.5	4.2	5.7	10	8	1	200	5100.99
9.5	21	29.5	4.2	6	10	10.4	0.9	200	5101.99
11	24	35.5	4.2	6	10	12.2	1.2	200	5102.99
13	26	38	4.2	5.7	10	14	0.9	200	5103.99
18	32	44.5	4.8	6.5	10	20	1.2	200	5105.99



Kabelbriden

Stahl
Rostfreier Stahl
 für Kabel-Ø 2.0 - Ø 5.0

Brides de câble

acier
acier inox
 pour câble-Ø 2.0 - Ø 5.0

Cable clips

steel
stainless steel
 for cable-Ø 2.0 - Ø 5.0

Werkstoff:

ST zn = Stahl verzinkt
 ST ni = Stahl vernickelt
 RF = Rostfreier Stahl

Matière:

ST zn = acier zingué
 ST ni = acier nickelé
 RF = acier inox

Material:

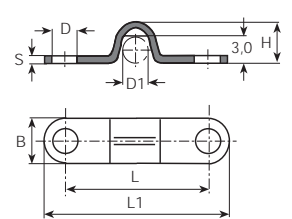
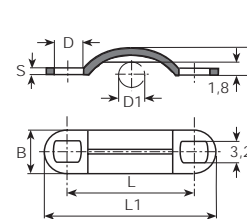
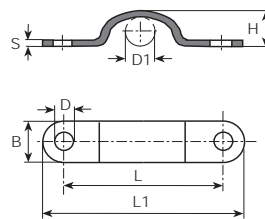
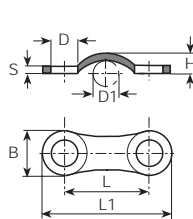
ST zn = zinc-plated steel
 ST ni = nickel-plated steel
 RF = stainless steel

Bestellbeispiel:

Exemple de commande:
Example of order:

5114.99

(5114 ST zn)



Artikel-Nr.
 Numéro d'article
 Part-No.

5114.99 (ST zn)

D1 ø 2.0
 L 11.0
 L1 17.1
 D ø 3.5
 B 6.1
 H 2.0
 S 1.0

5121.99 (ST zn)

D1 ø 2.5
 L 13.0
 L1 18.0
 D ø 2.7
 B 4.0
 H 2.5
 S 1.0

5115.99 (ST zn)

D1 ø 2.5
 L 16.0
 L1 23.0
 D ø 4.0
 B 6.3
 H 3.3
 S 1.0

5120B.99 (ST zn)

D1 ø 3.5
 L 20.0
 L1 26.0
 D ø 3.3
 B 6.0
 H 5.0
 S 0.8

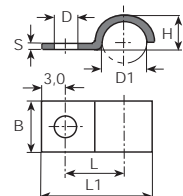
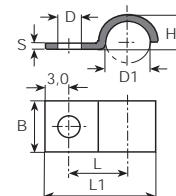
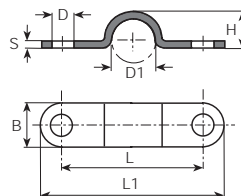
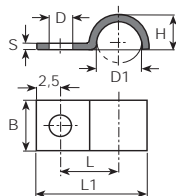
Stand.-Packg.

1000

500

1000

1000



Artikel-Nr.
 Numéro d'article
 Part-No.

5117.80 (RF)

D1 ø 3.6
 L 5.3
 L1 10.1
 D ø 2.6
 B 5.0
 H 3.3
 S 0.5

5120A.99 (ST zn)

D1 ø 4.5
 L 20.0
 L1 26.0
 D ø 3.3
 B 6.0
 H 5.0
 S 0.8

5112.99 (ST zn)

5112.95 (ST ni)

D1 ø 5.0
 L 6.5
 L1 15.2
 D ø 3.2
 B 7.0
 H 5.0
 S 1.0

5116.99 (ST zn)

D1 ø 5.0
 L 6.5
 L1 15.2
 D ø 4.3
 B 7.0
 H 5.0
 S 1.0

Stand.-Packg.

1000

1000

1000

1000



Kabelbriden

Messing
 Stahl
 Presspan
 für Kabel-Ø 5.5 - Ø 8.0

Werkstoff:
 MS bl = Messing blank
 ST zn = Stahl verzinkt
 PR = Presspan

Brides de câble

laiton
 acier
 presspan
 pour câble-Ø 5.5 - Ø 8.0

Matière:
 MS bl = laiton brut
 ST zn = acier zingué
 PR = presspan

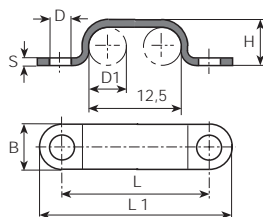
Cable clips

brass
 steel
 pressboard
 for cable-Ø 5.5 - Ø 8.0

Material:
 MS bl = clean brass
 ST zn = zinc-plated steel
 PR = pressboard

Bestellbeispiel:
Exemple de commande:
Example of order:

5125.99
 (5125 ST zn)

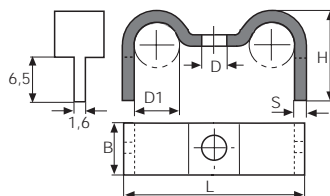


Artikel-Nr.
 Numéro d'article
 Part-No.

5125.99	(ST zn)
D1	ø 5.5
L	20.0
L1	26.0
D	ø 3.3
B	6.0
H	5.7
S	0.8

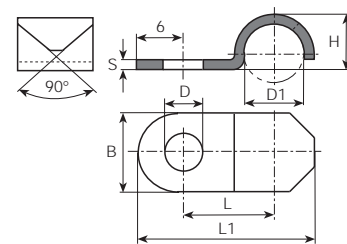
Stand.-Packg.

500



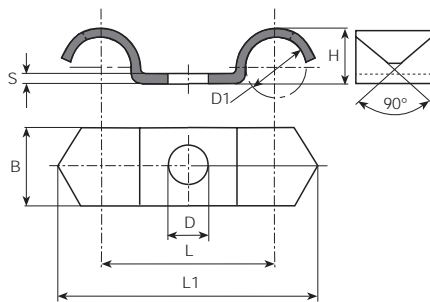
5130.99	(ST zn)
D1	ø 4.5-5.5
L	24.0
D	ø 3.2
B	7.2
H	11.0
S	1.5

200



5113.60	(MS bl)
D1	ø 8.0
L	12.0
L1	23.0
D	ø 5.0
B	10.0
H	7.5
S	1.0

500

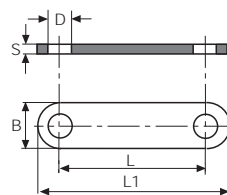


Artikel-Nr.
 Numéro d'article
 Part-No.

5123.60	(MS bl)
D1	ø 8.0
L	23.0
L1	34.5
D	ø 5.0
B	10.5
H	7.5
S	1.2

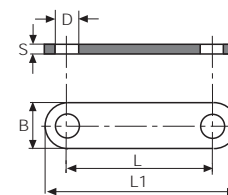
Stand.-Packg.

200



5135.99	(ST zn)
L	19.5
L1	25.5
D	ø 3.3
B	6.0
S	1.0

1000



5135.PR	(PR)
L	19.5
L1	25.5
D	ø 3.3
B	6.0
S	1.0

1000