



Kabelbriden

Stahl
 für Kabel-Ø 4.0 - Ø 18.0

Brides de câble

acier
 pour câble-Ø 4.0 - Ø 18.0

Cable clips

steel
 for cable-Ø 4.0 - Ø 18.0

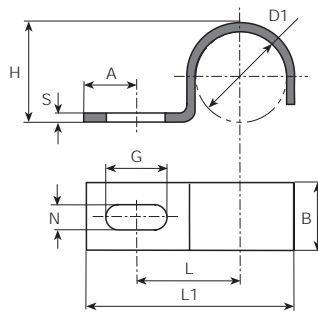
Werkstoff:
 ST zn = Stahl verzinkt

Matériau:
 ST zn = acier zingué

Material:
 ST zn = zinc-plated steel

Bestellbeispiel:
Exemple de commande:
Example of order:

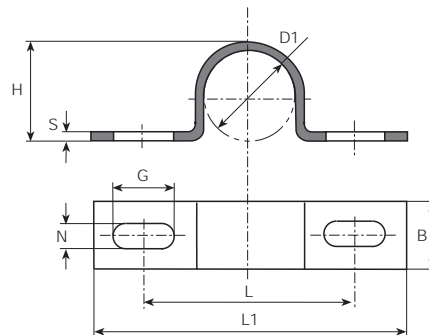
5000.99
 (5000 ST zn)



| øD 1 mm | L mm | L1 mm | A mm | N mm | G mm | B mm | H mm | S mm | Stand.-Packg. | Artikel-Nr. Numéro d'article Part-No. |
|------------|---------|----------|---------|---------|---------|---------|---------|---------|---------------|---|
| 4 | 6.5 | 14 | 4.5 | 3.6 | 4.8 | 8 | 5 | 0.8 | 500 | 5000.99 |
| 4.5 | 7 | 14.5 | 4.5 | 3.6 | 4.8 | 8 | 4.8 | 0.8 | 500 | 5001.99 |
| 5 | 7.5 | 14.7 | 4 | 3.6 | 4.8 | 8 | 5 | 0.8 | 500 | 5002.99 |
| 6 | 7.2 | 15 | 3.8 | 3.6 | 4.8 | 8 | 6.4 | 0.8 | 500 | 5003.99 |
| 7 | 7.5 | 16.5 | 4.5 | 3.6 | 4.8 | 8 | 6.8 | 0.8 | 500 | 5004.99 |
| 8 | 9.2 | 18.2 | 3.8 | 3.6 | 4.8 | 8 | 8 | 0.8 | 500 | 5005.99 |
| 9 | 11 | 23.7 | 6 | 4.2 | 5.7 | 9 | 8.8 | 1 | 200 | 5006.99 |
| 11 | 12.3 | 24 | 4.7 | 4.5 | 6 | 9 | 10.8 | 1 | 200 | 5007.99 |

Bestellbeispiel:
Exemple de commande:
Example of order:

5100.99
 (5100 ST zn)



| øD 1 mm | L mm | L1 mm | N mm | G mm | B mm | H mm | S mm | Stand.-Packg. | Artikel-Nr. Numéro d'article Part-No. |
|------------|---------|----------|---------|---------|---------|---------|---------|---------------|---|
| 7 | 20 | 29.5 | 4.2 | 5.7 | 10 | 8 | 1 | 200 | 5100.99 |
| 9.5 | 21 | 29.5 | 4.2 | 6 | 10 | 10.4 | 0.9 | 200 | 5101.99 |
| 11 | 24 | 35.5 | 4.2 | 6 | 10 | 12.2 | 1.2 | 200 | 5102.99 |
| 13 | 26 | 38 | 4.2 | 5.7 | 10 | 14 | 0.9 | 200 | 5103.99 |
| 18 | 32 | 44.5 | 4.8 | 6.5 | 10 | 20 | 1.2 | 200 | 5105.99 |



Kabelbriden

Stahl
Rostfreier Stahl
 für Kabel-Ø 2.0 - Ø 5.0

Brides de câble

acier
acier inox
 pour câble-Ø 2.0 - Ø 5.0

Cable clips

steel
stainless steel
 for cable-Ø 2.0 - Ø 5.0

Werkstoff:

ST zn = Stahl verzinkt
 ST ni = Stahl vernickelt
 RF = Rostfreier Stahl

Matière:

ST zn = acier zingué
 ST ni = acier nickelé
 RF = acier inox

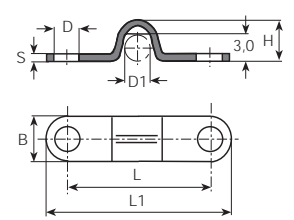
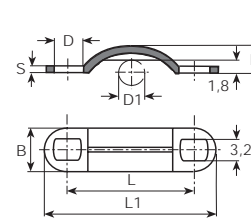
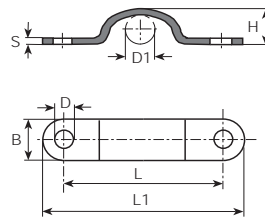
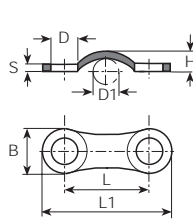
Material:

ST zn = zinc-plated steel
 ST ni = nickel-plated steel
 RF = stainless steel

Bestellbeispiel:
Exemple de commande:
Example of order:

5114.99

(5114 ST zn)



Artikel-Nr.
 Numéro d'article
 Part-No.

5114.99 (ST zn)

D1 ø 2.0
 L 11.0
 L1 17.1
 D ø 3.5
 B 6.1
 H 2.0
 S 1.0

5121.99 (ST zn)

D1 ø 2.5
 L 13.0
 L1 18.0
 D ø 2.7
 B 4.0
 H 2.5
 S 1.0

5115.99 (ST zn)

D1 ø 2.5
 L 16.0
 L1 23.0
 D ø 4.0
 B 6.3
 H 3.3
 S 1.0

5120B.99 (ST zn)

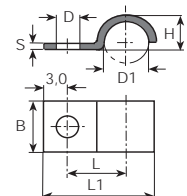
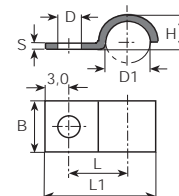
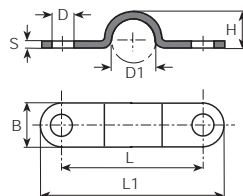
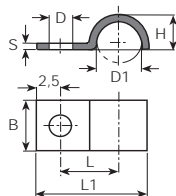
D1 ø 3.5
 L 20.0
 L1 26.0
 D ø 3.3
 B 6.0
 H 5.0
 S 0.8

Stand.-Packg. 1000

500

1000

1000



Artikel-Nr.
 Numéro d'article
 Part-No.

5117.80 (RF)

D1 ø 3.6
 L 5.3
 L1 10.1
 D ø 2.6
 B 5.0
 H 3.3
 S 0.5

5120A.99 (ST zn)

D1 ø 4.5
 L 20.0
 L1 26.0
 D ø 3.3
 B 6.0
 H 5.0
 S 0.8

5112.99 (ST zn)

5112.95 (ST ni)

D1 ø 5.0
 L 6.5
 L1 15.2
 D ø 3.2
 B 7.0
 H 5.0
 S 1.0

5116.99 (ST zn)

D1 ø 5.0
 L 6.5
 L1 15.2
 D ø 4.3
 B 7.0
 H 5.0
 S 1.0

Stand.-Packg. 1000

1000

1000

1000



Kabelbriden

Messing
 Stahl
 Presspan
 für Kabel-Ø 5.5 - Ø 8.0

Werkstoff:
 MS bl = Messing blank
 ST zn = Stahl verzinkt
 PR = Presspan

Brides de câble

laiton
 acier
 presspan
 pour câble-Ø 5.5 - Ø 8.0

Matière:
 MS bl = laiton brut
 ST zn = acier zingué
 PR = presspan

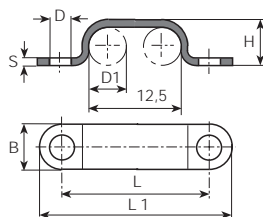
Cable clips

brass
 steel
 pressboard
 for cable-Ø 5.5 - Ø 8.0

Material:
 MS bl = clean brass
 ST zn = zinc-plated steel
 PR = pressboard

Bestellbeispiel:
Exemple de commande:
Example of order:

5125.99
 (5125 ST zn)

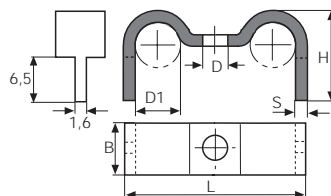


Artikel-Nr.
 Numéro d'article
 Part-No.

| | |
|----------------|---------|
| 5125.99 | (ST zn) |
| D1 | ø 5.5 |
| L | 20.0 |
| L1 | 26.0 |
| D | ø 3.3 |
| B | 6.0 |
| H | 5.7 |
| S | 0.8 |

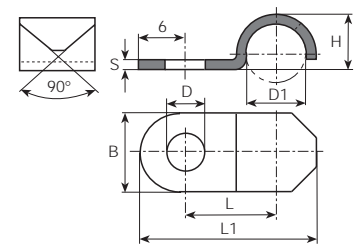
Stand.-Packg.

500



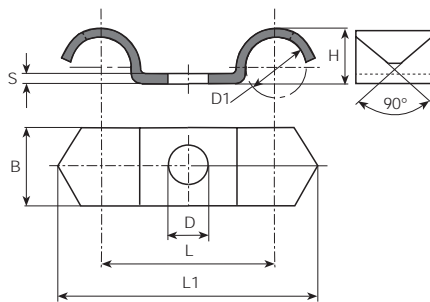
| | |
|----------------|-----------|
| 5130.99 | (ST zn) |
| D1 | ø 4.5-5.5 |
| L | 24.0 |
| D | ø 3.2 |
| B | 7.2 |
| H | 11.0 |
| S | 1.5 |

200



| | |
|----------------|---------|
| 5113.60 | (MS bl) |
| D1 | ø 8.0 |
| L | 12.0 |
| L1 | 23.0 |
| D | ø 5.0 |
| B | 10.0 |
| H | 7.5 |
| S | 1.0 |

500

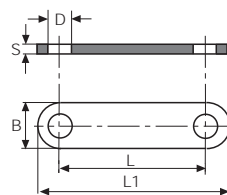


Artikel-Nr.
 Numéro d'article
 Part-No.

| | |
|----------------|---------|
| 5123.60 | (MS bl) |
| D1 | ø 8.0 |
| L | 23.0 |
| L1 | 34.5 |
| D | ø 5.0 |
| B | 10.5 |
| H | 7.5 |
| S | 1.2 |

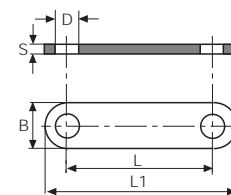
Stand.-Packg.

200



| | |
|----------------|---------|
| 5135.99 | (ST zn) |
| L | 19.5 |
| L1 | 25.5 |
| D | ø 3.3 |
| B | 6.0 |
| S | 1.0 |

1000



| | |
|----------------|-------|
| 5135.PR | (PR) |
| L | 19.5 |
| L1 | 25.5 |
| D | ø 3.3 |
| B | 6.0 |
| S | 1.0 |

1000