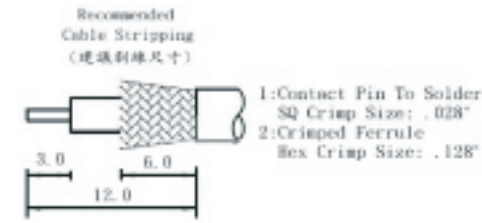
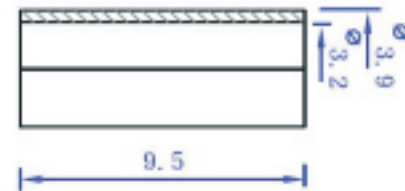
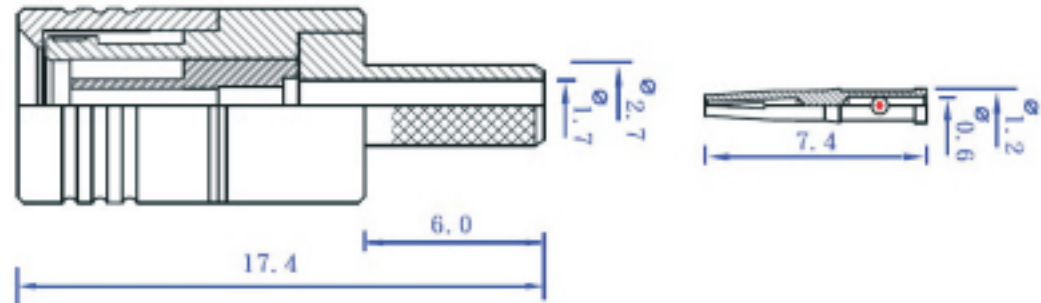


Artikel-Nr.: 741116

Bez.: SMB-Stecker, Crimpausführung, RG 174/U



Impedance	50Ω
Frequency Range	0 to 40GHz with low reflection; usable to 10.0 GHz
Voltage Rating for RG-188/U cables	Sea level 335 volts; 70,000 ft: 85 volts
Dielectric withstanding voltage	750 VMS RG-190 type 1000 VMS RG-188 type
VSWR straight/rt. angle connectors	RG-186/U series: 1.38 - .04(0GHz) 1.45 - .04(10GHz) RG-188/U series: 1.25 - .04(0GHz) 1.30 - .04(10GHz)
Contact resistance	Center contact: initial 6.0 milliohms after environmental 8.0 Outer contact: initial 3.0 milliohms after environmental 1.5 Braid to body: initial 1.0 milliohms after environmental N/A
Insulation resistance	1000 megohms min
RF leakage	≤5db min. 87-307Hz
Insertion loss	0.80dB@1.5GHz/0.6dB@1.5GHz

NOTE: FINISH (PLATING THICKNESS IN MICRO-INCHES)

1. BRASS PER J15-C3604
2. TEFLON MIL-P-19468
3. CONNECTOR INTERFACE PER MIL-STD-380A
4. PART TO BE CLEAN AND FREE BURRS
5. NICKEL PL. 70 μ" THICK OVER COPPER STRIKE
6. GOLD PL. 1-3μ" OVER NICKEL PL. 70 μ" THICK OVER COPPER STRIKE

4	Ferrule	Brass	Gold
3	Insulator	Teflon	White
2	Contact	Beryllium Copper	Gold
1	Body	Brass	Gold
No	Description	Material	Finish

www.bkl-electronic.de

Technische Änderungen vorbehalten. Ausführungen können variieren. Sollten Sie ein Muster benötigen kontaktieren Sie uns bitte.

BKL-ELECTRONIC Kreimendahl GmbH • Märkenstück 14 • 58509 Lüdenscheid
Tel: +49 (0)2351-3621-0 • Fax: +49 (0)2351-3621-29 • info@bkl-electronic.de

