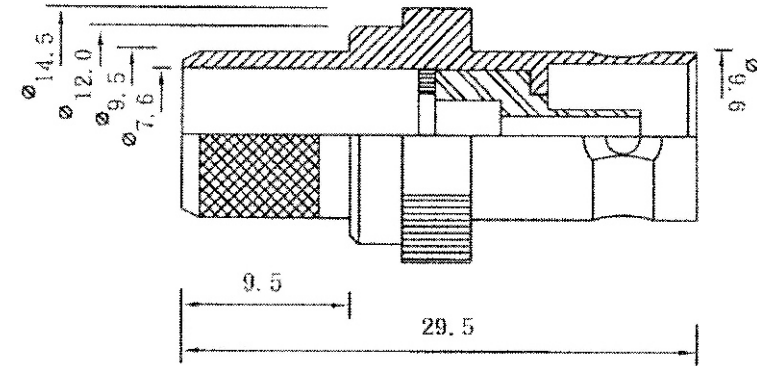
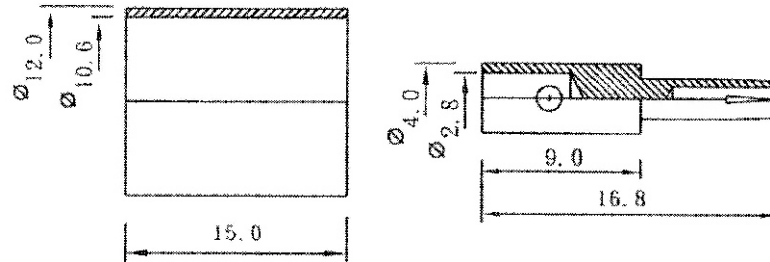


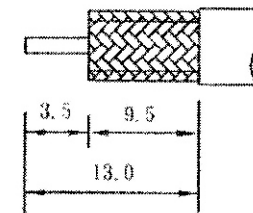
Artikel-Nr.: 741314

Bez.: BNC-Crimpkupplung ,Teflon-Isolation, Aircom Plus/Ecoflex 10



Impedance	50Ω
Frequency range	0 to 4GHz
Voltage rating	500 volts peak
Dielectric withstanding voltage	1500 volts rms
VSWR	M39012 straight connectors: 1.3 max. 0-4GHz M39012 right angle: 1.3 max. 0-4GHz
Other (MIL-C-39012 Cable Connectors)	Contact resistance: center contact 1.5 milliohm outer contact 0.2 milliohm Insertion loss: 0.2db max at 3.0GHz Insulation resistance: 5000 megohms(min)

Recommended Cable Stripping



1: CRIMPED CONTACT
HEX CRIMP SIZE: .128"
2: CRIMPED FERRULE
HEX CRIMP SIZE: .429"

NOTE: FINISH (PLATING THICKNESS IN MICRO-INCHES)

1. BRASS PER JIS-C3604
2. CONNECTOR INTERFACE PER MIL-STD-348A
3. PART TO BE CLEAN AND FREE BURRS
4. NICKEL PL 70 u" THICK OVER COPPER STRIKE
5. GOLD PL 1-3 u" OVER NICKEL PL 70 u" THICK OVER COPPER STRIKE

4	Ferrule	Brass	Nickel
3	Insulator	Teflon	White
2	Contact	Brass	Gold
1	Body	Brass	Nickel
NO	Description	Material	Finish

www.bkl-electronic.de

Technische Änderungen vorbehalten. Ausführungen können variieren. Sollten Sie ein Muster benötigen kontaktieren Sie uns bitte.

BKL-ELECTRONIC Kreimendahl GmbH • Märkenstück 14 • 58509 Lüdenscheid

Tel: +49 (0)2351-3621-0 • Fax: +49 (0)2351-3621-29 • info@bkl-electronic.de

