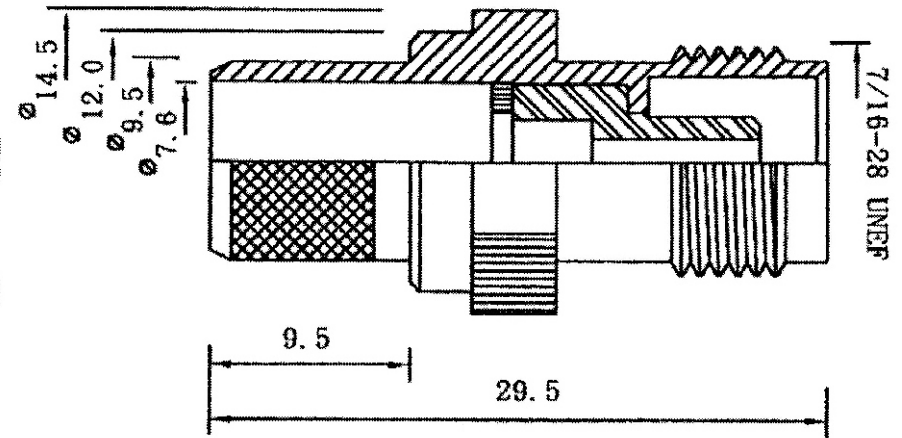
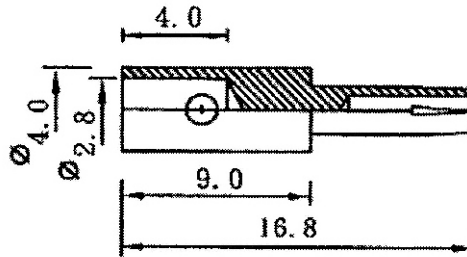


Artikel-Nr.: 741387

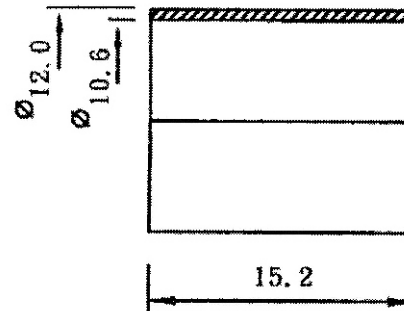
Bez.: TNC-Crimpkupplung, Teflon-Isolation, Aircom Plus / Ecoflex 10

NOTES: FINISH (PLATING THICKNESS IN MICRO-INCHES)

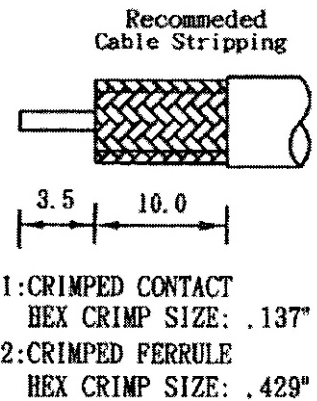
1. BODY: BRASS PER JIS-C3604
2. CONTACT: BRASS PER JIS-C3604
3. CONNECTOR INTERFACE PER MIL-STD-348A
4. PART TO BE CLEAN AND FREE BURRS
5. NICKEL PL. 70  $\mu$ " THICK OVER COPPER STRIKE
6. GOLD PL 1-3  $\mu$ " OVER NICKEL PL 70  $\mu$ " THICK OVER COPPER STRIKE



Impedance	50 $\Omega$
Frequency range	0 to 4GHz
Voltage rating	500 volts peak
Dielectric withstanding voltage	1500 volts rms
VSWR	M39012 straight connectors: 1.3 max. 0-4GHz M39012 right angle: 1.3 max. 0-4GHz
Temperature range	-55°C +165°C
Other (MIL-C-39012 Cable Connectors)	Contact resistance: center contact 1.5 m $\Omega$ outer contact 0.2 m $\Omega$ Insertion loss: 0.2db max at 3.0GHz Insulation resistance: 5000 megohms(min)



4	Ferrule	Brass	Nickel
3	Insulator	Teflon	White
2	Contact	Brass	Gold
1	Body	Brass	Nickel
NO	Description	Material	Finish



[www.bkl-electronic.de](http://www.bkl-electronic.de)

Technische Änderungen vorbehalten. Ausführungen können variieren. Sollten Sie ein Muster benötigen kontaktieren Sie uns bitte.

BKL-ELECTRONIC Kreimendahl GmbH • Märkenstück 14 • 58509 Lüdenscheid  
Tel: +49 (0)2351-3621-0 • Fax: +49 (0)2351-3621-29 • info@bkl-electronic.de

