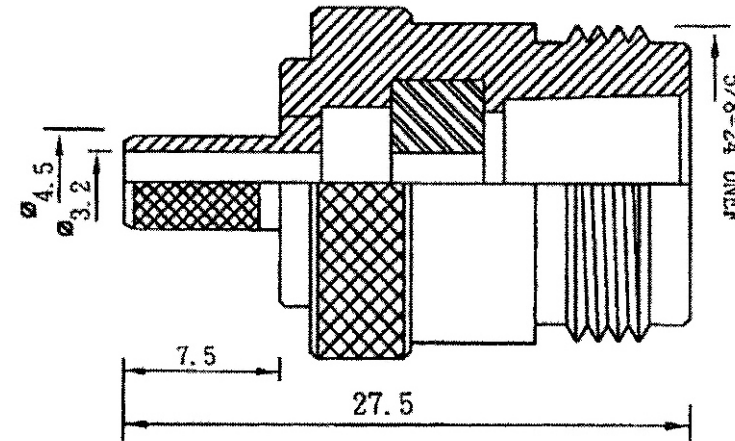
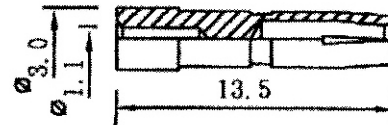
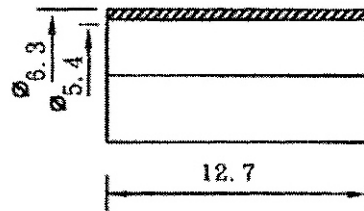
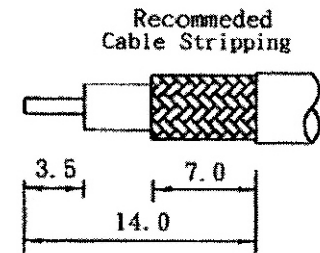


Artikel-Nr.: 741755

Bez.: N-Crimpkupplung, Teflon-Isolation, Aircell 5



Impedance	50Ω
Frequency range	0-6 GHz
Voltage rating	1500 volts peak
Dielectric withstanding voltage	2500 volts rms
VSWR	M39012 straight connectors: 1.3 max. 0-11GHz M39012 right angle: 1.35 max. 0-11GHz
othr (MIL-C-39012 cable connectors)	Contact resistance: center contact 1.0 milliohm outer contact 0.2 milliohm Insertion loss: 0.15db max at 10.0GHz Insulation resistance: 5000 megohms(mln)



Recommended Cable Stripping

1: CRIMPED PIN
HEX CRIMP SIZE: 2.54mm (.100")

2: CRIMPED FERRULE
HEX CRIMP SIZE: 5.41mm (.213")

4	Ferrule	Brass	Nickel
3	Insulator	Teflon	White
2	Contact	Brass	Gold
1	Body	Brass	Nickel
No	Description	Material	Finish

NOTE: FINISH (PLATING THICKNESS IN MICRO-INCHES)

1. BODY/CONTACT: BRASS PER JIS-C3604
2. INSULATION: TEFLON PER ASTM D1457 AND ASTM D1710
3. CONNECTOR INTERFACE PER MIL-STD-348A
4. PART TO BE CLEAN AND FREE BURRS
5. NICKEL PL 70 μ" THICK OVER COPPER STRIKE
6. GOLD PL 1-3μ" OVER NICKEL PL 70 μ" THICK OVER COPPER STRIKE

www.bkl-electronic.de

Technische Änderungen vorbehalten. Ausführungen können variieren. Sollten Sie ein Muster benötigen kontaktieren Sie uns bitte.

BKL-ELECTRONIC Kreimendahl GmbH • Märkenstück 14 • 58509 Lüdenscheid

Tel: +49 (0)2351-3621-0 • Fax: +49 (0)2351-3621-29 • info@bkl-electronic.de

