

Artikel-Nr.: 741911

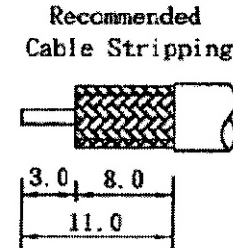
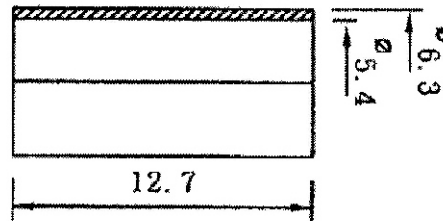
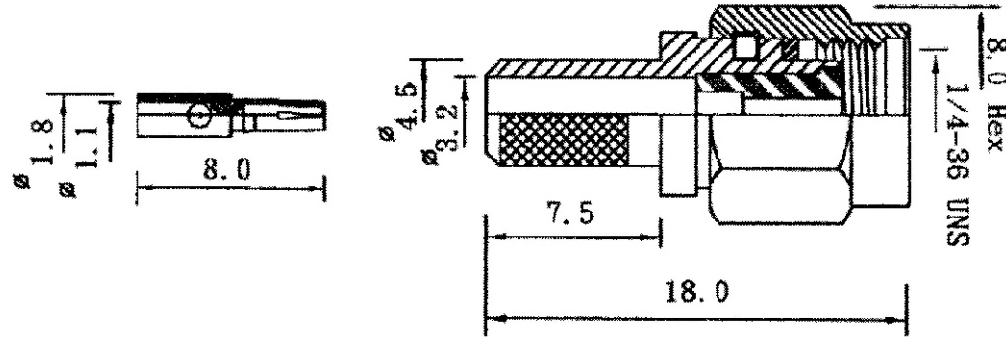
Bez.: SMA-Reverse, Crimpstecker 50 Ohm, komplett vergoldet, Teflon-Isolation, Aircell 5

Impedance	50Ω
Frequency range	0-18 GHz
Voltage rating	RG-55,58,141,142,223,303 500: volts peak RG-122,174,188,316,375: 375 volts peak
VSWR (straight connectors)	RG-55 group: 1.15+0.011(GHz) RG-178 group: 1.20+0.251(GHz)
air (MIL-C-39012 cable connectors)	Contact resistance Center contact: 2.0 milliohm Body contact: 2.0 milliohm Insertion loss: 0.03√f(GHz) dB max Insulation resistance: 5000 megohms(min)
Coupling Torque	15.0 lb-in (1.70 N.m)

NOTE: FINISH (PLATING THICKNESS IN MICRO-INCHES)

1. BODY: BRASS PER JIS-C3604
2. CONTACT: PH/BRONZE PER ASTM B196 UNS C17300
3. INSULATION: TEFLON PER ASTM D1457 AND ASTM D1710
4. CONNECTOR INTERFACE PER MIL-STD-348A
5. PART TO BE CLEAN AND FREE BURRS
6. NICKEL PL 70 μ" THICK OVER COPPER STRIKE
7. GOLD PL 1-3 μ" OVER NICKEL PL 70 μ" THICK OVER COPPER STRIKE

4	Ferrule	Brass	Nickel
3	Insulator	Teflon	White
2	Contact	PH/Bronze	Gold
1	Body	Brass	Gold
NO	Description	Material	Finish



- 1: Crimped Contact
Hex Crimp Size: .068"
- 2: Crimped Ferrule
Hex Crimp Size: .213"

www.bkl-electronic.de

Technische Änderungen vorbehalten. Ausführungen können variieren. Sollten Sie ein Muster benötigen kontaktieren Sie uns bitte.

BKL-ELECTRONIC Kreimendahl GmbH • Märkenstück 14 • 58509 Lüdenscheid

Tel: +49 (0)2351-3621-0 • Fax: +49 (0)2351-3621-29 • info@bkl-electronic.de

