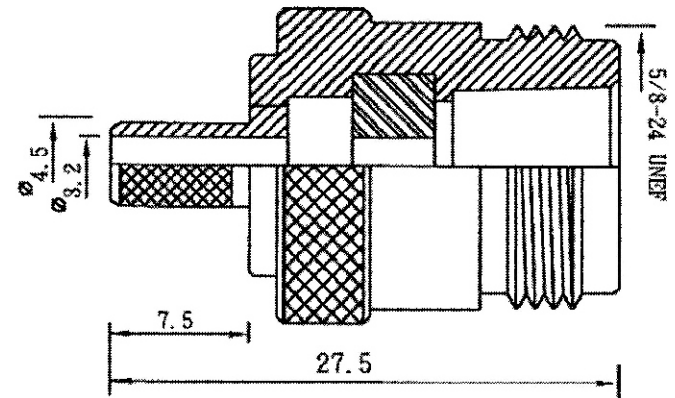
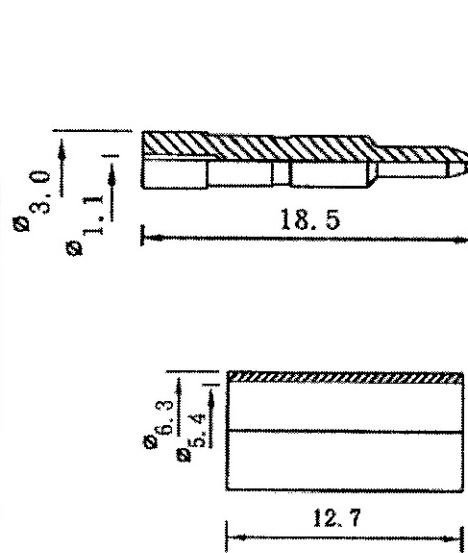


Artikel-Nr.: 742053

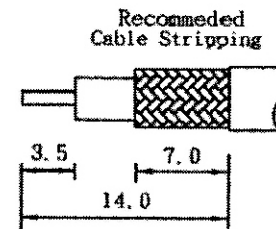
Bez.: N-Reverse, Kupplung 50 Ohm, Crimpausführung, Teflon-Isolation, Aircell 5

Impedance	50Ω
Frequency range	0-6 GHz
Voltage rating	1500 volts peak
Dielectric withstanding voltage	2500 volts rms
VSWR	M39012 straight connectors:1.3max.0-11GHz M39012 right angle:1.35 max.0-11GHz
othr (MIL-C-39012 cable connectors)	Contact resistance: center contact 1.0 milliohm outer contact 0.2 milliohm Insertion loss:0.15db max at 10.0GHz Insulation resistance:5000 megohms(min)

4	Ferrule	Brass	Nickel
3	Insulator	Teflon	White
2	Contact	Brass	Gold
1	Body	Brass	Nickel
No	Description	Material	Finish



NOTE: FINISH (PLATING THICKNESS IN MICRO-INCHES)  
 1. BODY/CONTACT: BRASS PER J15-C3604  
 2. CONNECTOR INTERFACE PER MIL-STD-348A  
 3. PART TO BE CLEAN AND FREE BURRS  
 4. NICKEL PL 70 μ" THICK OVER COPPER STRIKE  
 5. GOLD PL 1-3 μ" OVER NICKEL PL 70 μ" THICK OVER COPPER STRIKE



Recommended Cable Stripping  
 1: CRIMPED PIN  
 HEX CRIMP SIZE: 2.54mm(.100")  
 2: CRIMPED FERRULE  
 HEX CRIMP SIZE: 5.41mm(.213")

[www.bkl-electronic.de](http://www.bkl-electronic.de)

Technische Änderungen vorbehalten. Ausführungen können variieren. Sollten Sie ein Muster benötigen kontaktieren Sie uns bitte.

BKL-ELECTRONIC Kreimendahl GmbH • Märkenstück 14 • 58509 Lüdenscheld  
 Tel: +49 (0)2351-3621-0 • Fax: +49 (0)2351-3621-29 • [info@bkl-electronic.de](mailto:info@bkl-electronic.de)

