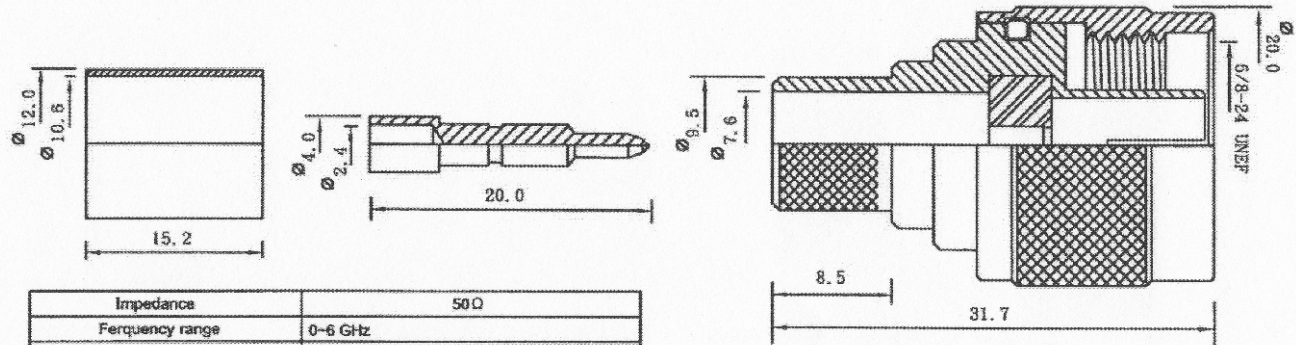


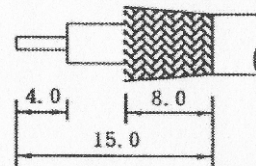
Artikel-Nr.: 743037

Bez.: N-Stecker, Crimppausführung RG 213/U



Impedance	50 Ω
Frequency range	0-6 GHz
Voltage rating	1500 volts peak
Dielectric withstanding voltage	2500 volts rms
VSWR	M39012 straight connectors: 1.3 max. 0-11GHz M39012 right angle: 1.35 max. 0-11GHz
othr (MIL-C-39012 cable connectors)	Contact resistance: center contact 1.0 milliohm outer contact 0.2 milliohm Insertion loss: 0.15db max at 10.0GHz Insulation resistance: 5000 megohms(min)
Coupling Torque	15.0 lb-in (1.70 N.m)

Recommended
Cable Stripping



1: CRIMPED CONTACT
HEX CRIMP SIZE: .137"
2: CRIMPED FERRULE
HEX CRIMP SIZE: .429"

NO	Description	Material	Finish
4	Ferrule	Brass	Nickel
3	Insulator	Teflon	White
2	Contact	Brass	Gold
1	Body	Brass	Nickel

NOTE: FINISH (PLATING THICKNESS IN MICRO-INCHES)

1. BODY/CONTACT: BRASS PER JIS-C3604
2. INSULATION: TEFLON PER ASTM D1457 AND ASTM D1710
3. CONNECTOR INTERFACE PER MIL-STD-348A
4. PART TO BE CLEAN AND FREE BURRS
5. NICKEL PL 70 MIN THICK OVER COPPER STRIKE
6. GOLD PL 3u" OVER NICKEL PL, 70 u" THICK OVER COPPER STRIKE

www.bkl-electronic.de

Technische Änderungen vorbehalten. Ausführungen können variieren. Sollten Sie ein Muster benötigen kontaktieren Sie uns bitte.

BKL-ELECTRONIC Kreimendahl GmbH • Märkenstück 14 • 58509 Lüdenscheid

Tel: +49 (0)2351-3621-0 • Fax: +49 (0)2351-3621-29 • info@bkl-electronic.de

