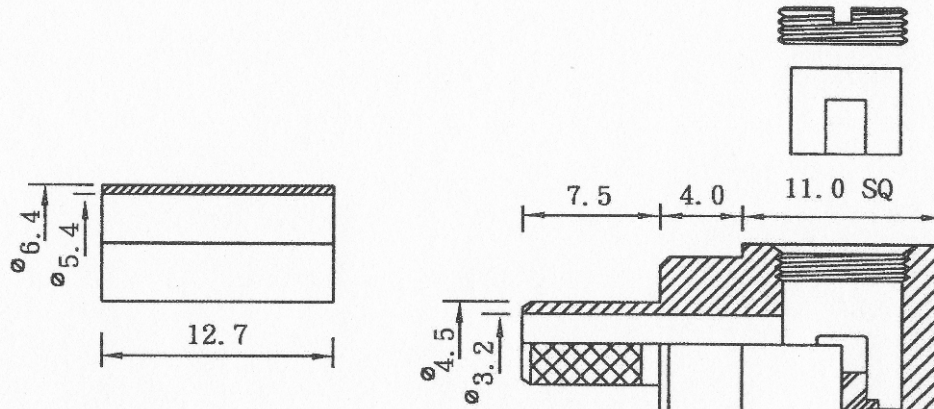


Artikel-Nr.: 743058

Bez.: N-Winkel-Stecker, Crimpausführung RG 58/U



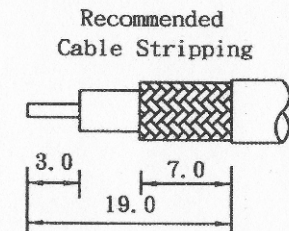
6	Nut	Brass	Nickel
5	Ferrule	Brass	Nickel
4	Shell	Brass	Nickel
3	Insulator	Teflon	White
2	Contact	Brass	Gold
1	Body	Brass	Nickel
NO	Description	Material	Finish

Impedance	50Ω
Frequency range	0-6 GHz
Voltage rating	1500 volts peak
Dielectric withstanding voltage	2500 volts rms
VSWR	M39012 straight connectors:1.3max.0-11GHz M39012 right angle:1.35 max.0-11GHz
othr (MIL-C-39012 cable connectors)	Contact resistance: center contact 1.0 milliohm outer contact 0.2 milliohm Insertion loss:0.15db max at 10.0GHz Insulation resistance:5000 megohms(min)

NOTE: FINISH (PLATING THICKNESS IN MICRO-INCHES)

1. BODY/CONTACT: BRASS PER JIS-C3604
2. INSULATION: TEFLON PER ASTM D1457 AND ASTM D1710
3. CONNECTOR INTERFACE PER MIL-STD-348A
4. PART TO BE CLEAN AND FREE BURRS
5. NICKEL PL 70 μ" THICK OVER COPPER STRIKE
6. GOLD PL 1-3μ" OVER NICKEL PL 70 μ" THICK OVER COPPER STRIKE

- 1: Contact Pin To Solde
2: Crimped Ferrule
Hex Crimp Size: .213



www.bkl-electronic.de

Technische Änderungen vorbehalten. Ausführungen können variieren. Sollten Sie ein Muster benötigen kontaktieren Sie uns bitte.

BKL-ELECTRONIC Kreimendahl GmbH • Märkenstück 14 • 58509 Lüdenscheid
Tel: +49 (0)2351-3621-0 • Fax: +49 (0)2351-3621-29 • info@bkl-electronic.de

