



RJ45 – EtherCon Series





NEUTRIK

CONNECTING THE WORLD

RJ45 – EtherCon Series





RJ45 - EtherCon

- **What is the EtherCon Series ?**

A range of new ruggedized RJ45 data connectors and cable carrier system, especially developed to provide solutions for data transfer in harsh and demanding applications.

- **What is a typical application ?**

Ethernet networking in audio and stage production.

DMX lighting protocols.

Industrial and commercial networking.

Outdoor Internet access environments.





RJ45 - EtherCon

- **What does the EtherCon Series consists of ?**

A male cable end carrier
available in nickel or black



Three assembled female chassis receptacles
with four different terminations:

IDC-Krone type,
IDC-110 punchdown,
horizontal or vertical PCB mount



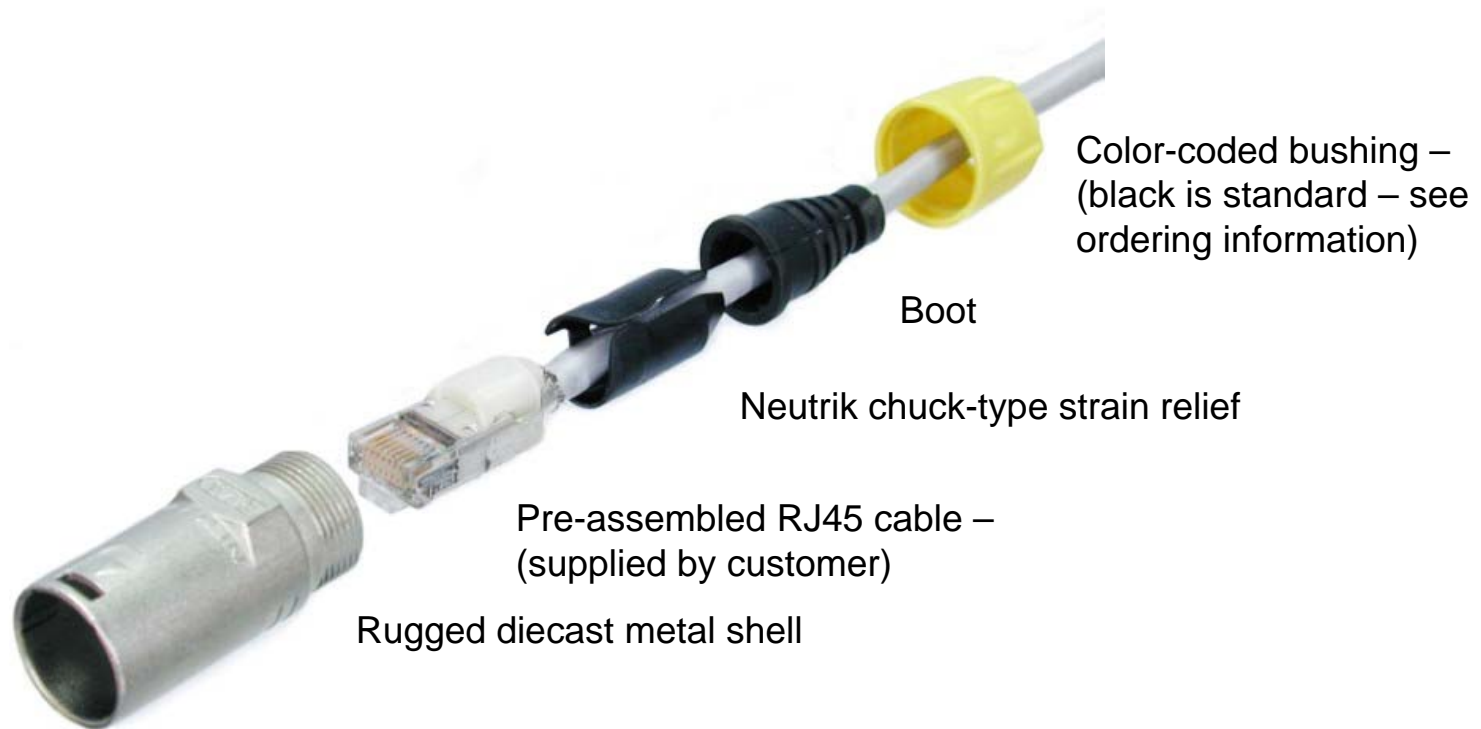
- **Future versions ?**

CAT 6 receptacle
Waterproof version



RJ45 - EtherCon

EtherCon cable carrier – exploded view

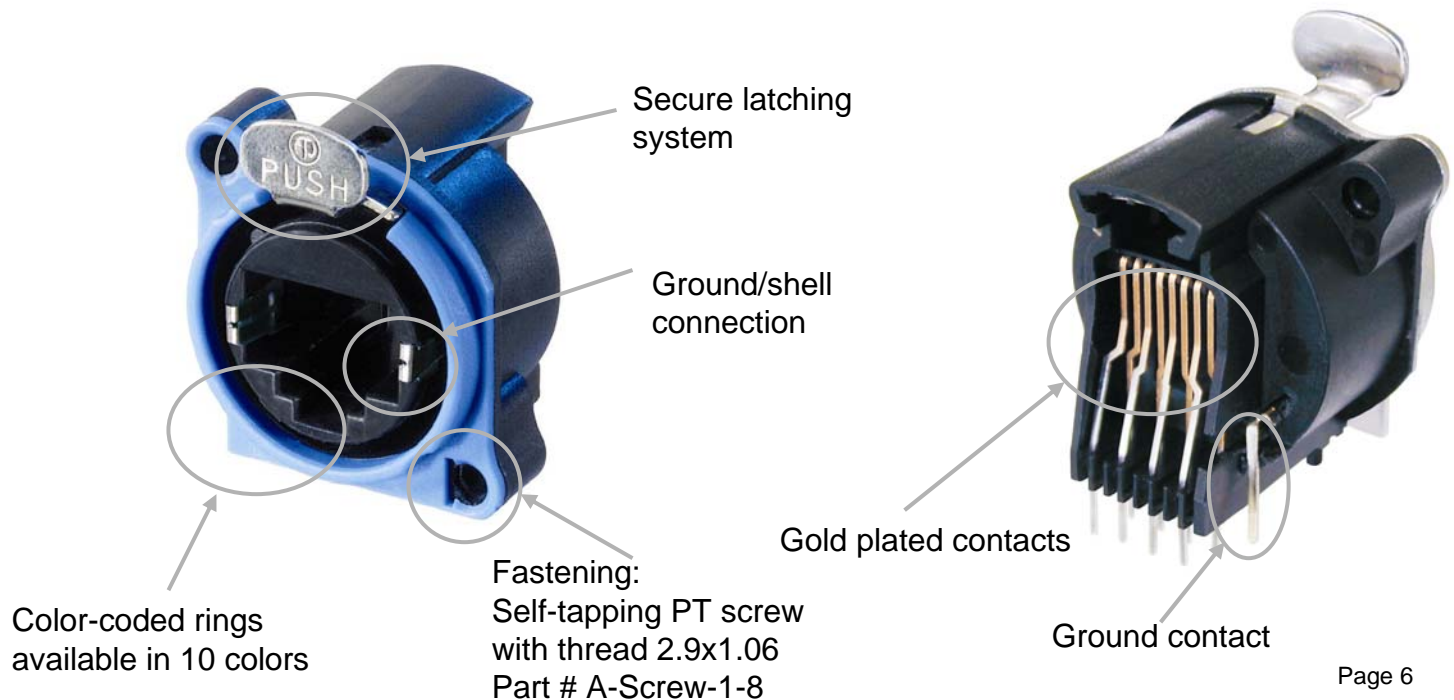




RJ45 - EtherCon

Horizontal and vertical pcb mount receptacle

Chassis connectors are based on the Neutrik A/B-Series of XLR receptacles with the secure latching system

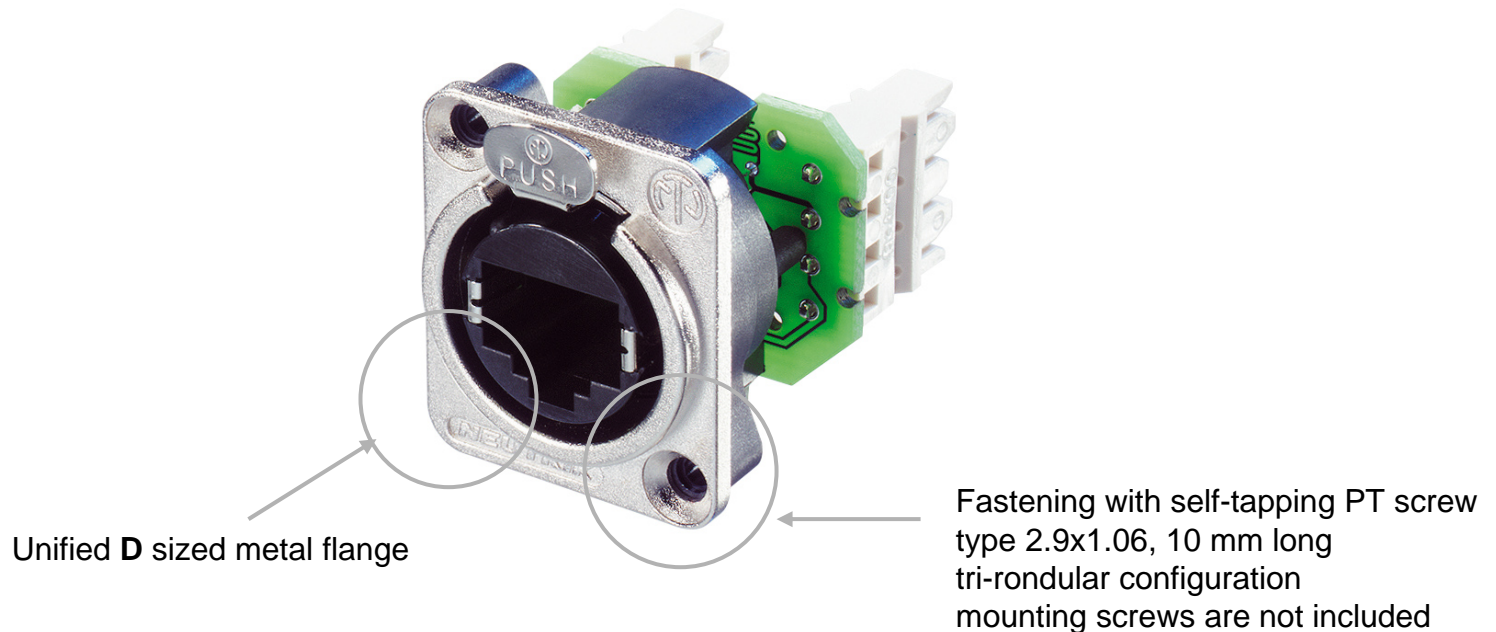




RJ45 - EtherCon

D size receptacle with vertical and IDC termination

Chassis connectors with unified D size metal flange, mounts in the same hole as our D series XLR, Speakon, Powercon, ¼" locking jacks and BNC series.





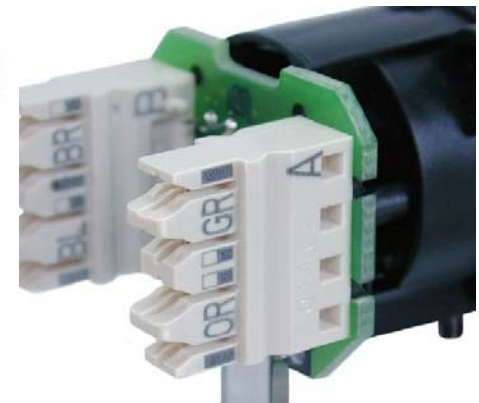
RJ45 - EtherCon

A/B or D size receptacles with IDC termination
Krone type or 110 Punchdown

Krone type punchdown



110 punchdown



Ground/shield connection



RJ45 - EtherCon

Features and benefits

A/B and D size receptacles accept both fully assembled EtherCon cable carrier or standard RJ45 plug.

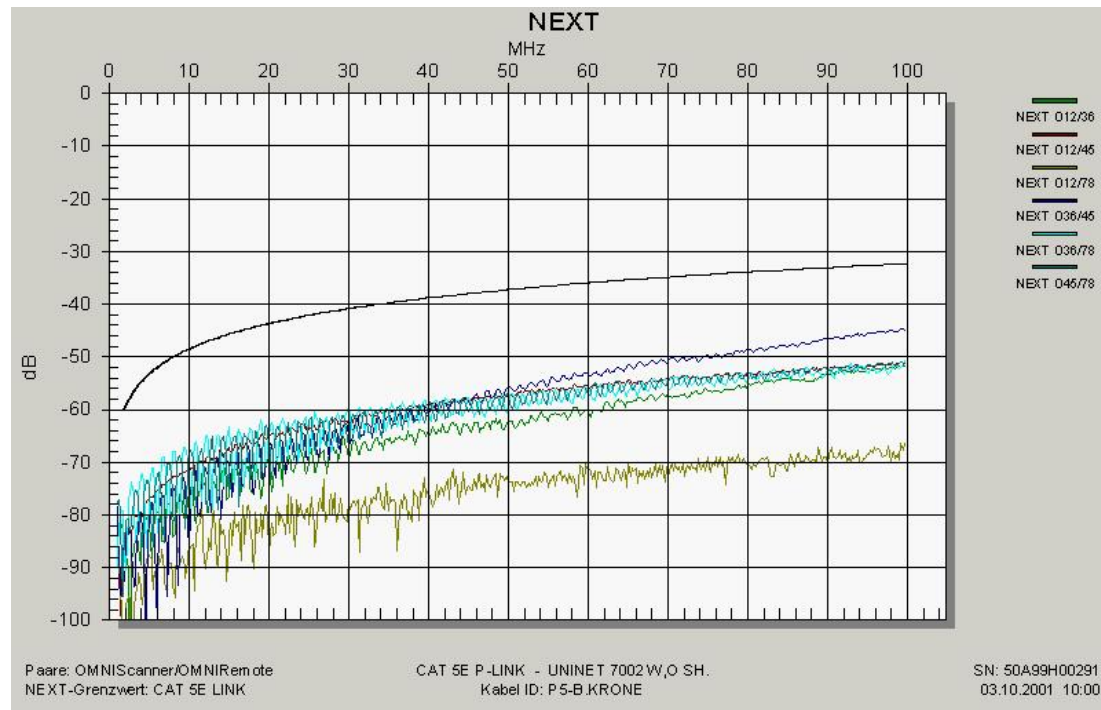




RJ45 - EtherCon

Features and benefits

A/B and D size receptacles comply with Class D (pcb mount) or Cat 5e (IDC terminals) according TIA/EIA 586B and ISO/IEC 11801.





RJ45 - EtherCon

Features and benefits

- A/B and D size receptacles accept most common RJ45 plugs.
- Ease of assembly makes cable carrier easily field attachable.
- Designed to prevent damage to the plastic components of standard RJ45 connectors.
- Diecast metal shell for carrier for pre-assembled RJ45 cables.



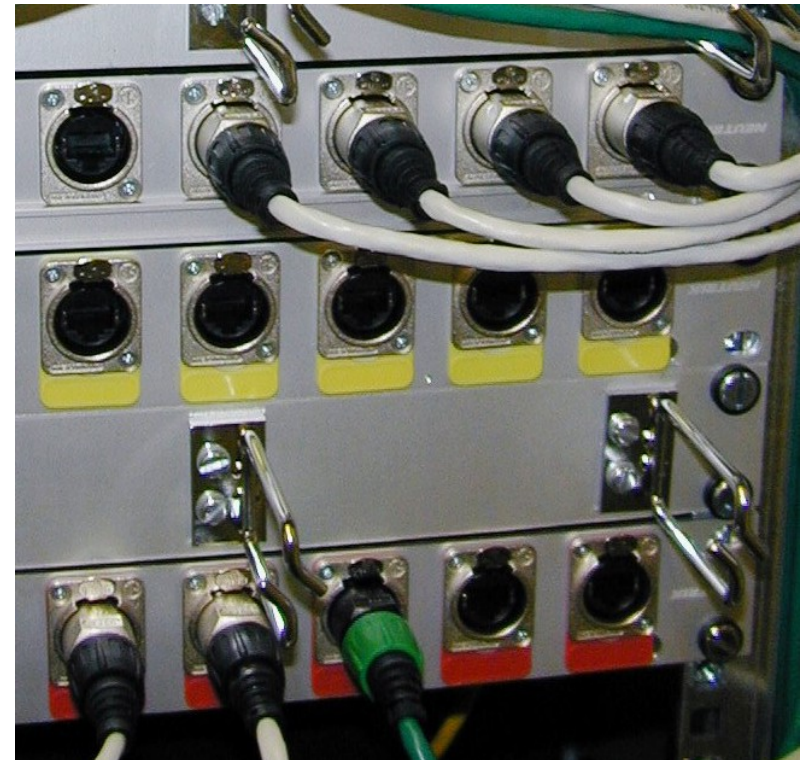


RJ45 - EtherCon

Examples of use
Wall plate



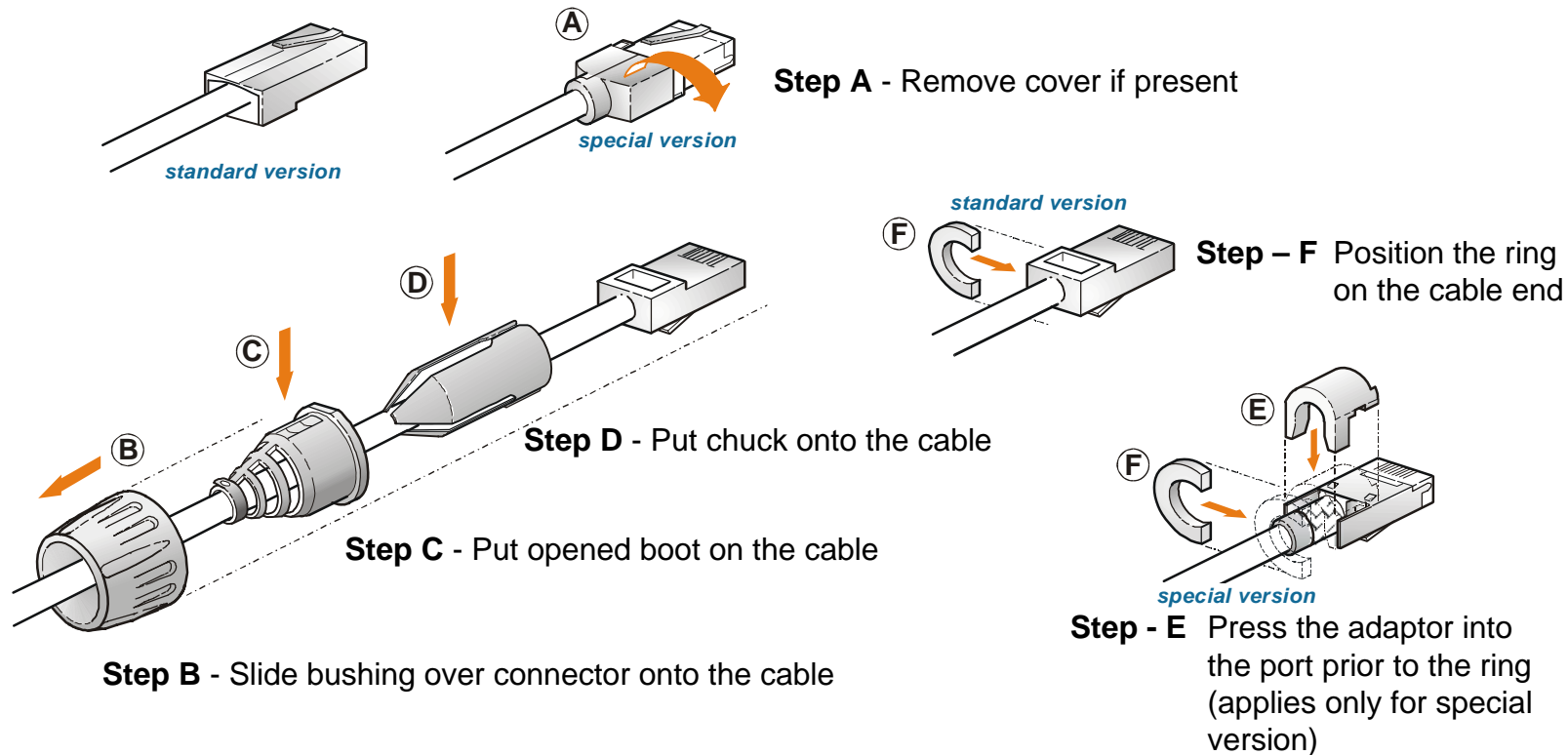
19" Rack





RJ45 - EtherCon

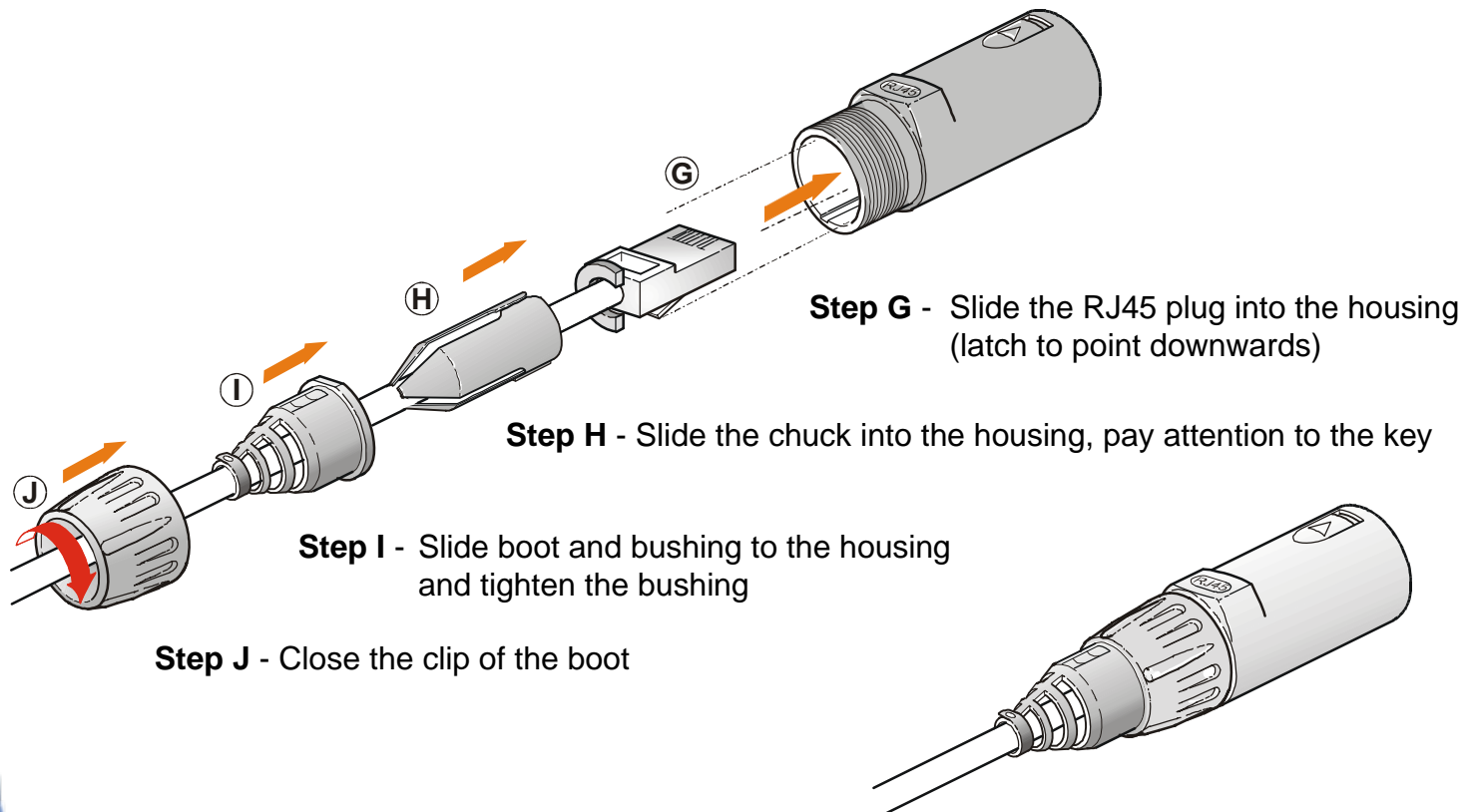
How to assemble the cable carrier – page 1 of 2





RJ45 - EtherCon

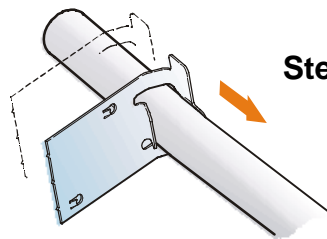
How to assemble the cable carrier – page 2 of 2



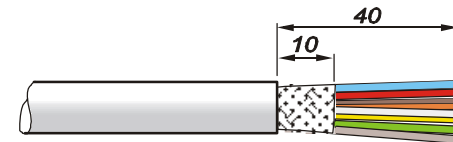


RJ45 - EtherCon

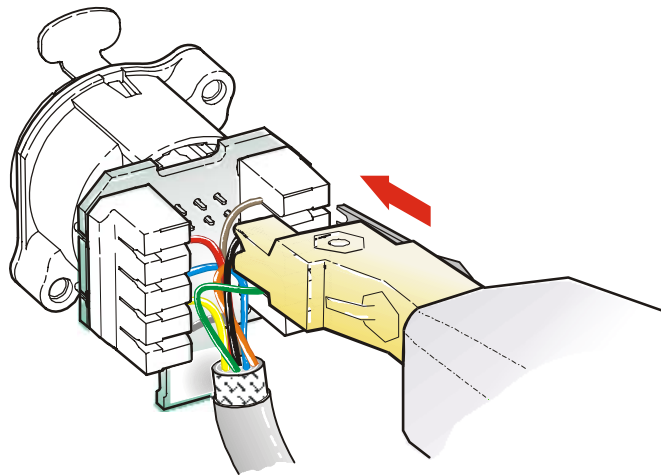
How to assemble A/B and D size IDC receptacles – page 1 of 2



Step 1 - Slide grounding plate onto cable



Step 2 - Strip cable accordingly

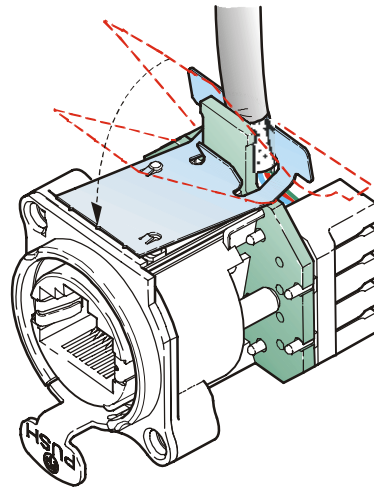


- Step 3** - Terminate wires with punch down tool
- Krone tool for NE8FAV-YK
 - 110 punch down for NE8FAV-Y110
- Make sure that the twisted pairs are not untwisted more than 13 mm

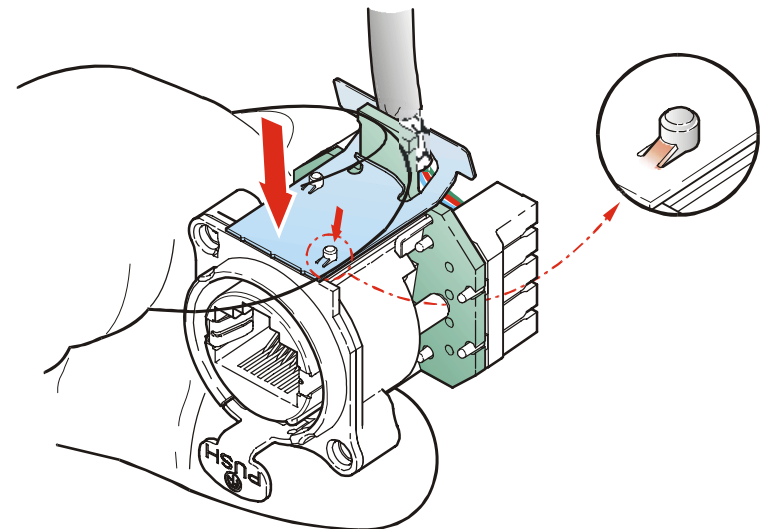


RJ45 - EtherCon

How to assemble A/B and D size IDC receptacles – page 2 of 2



Step 4 - Position the plate on the receptacle with cable shield contacting the dedicated pcb area

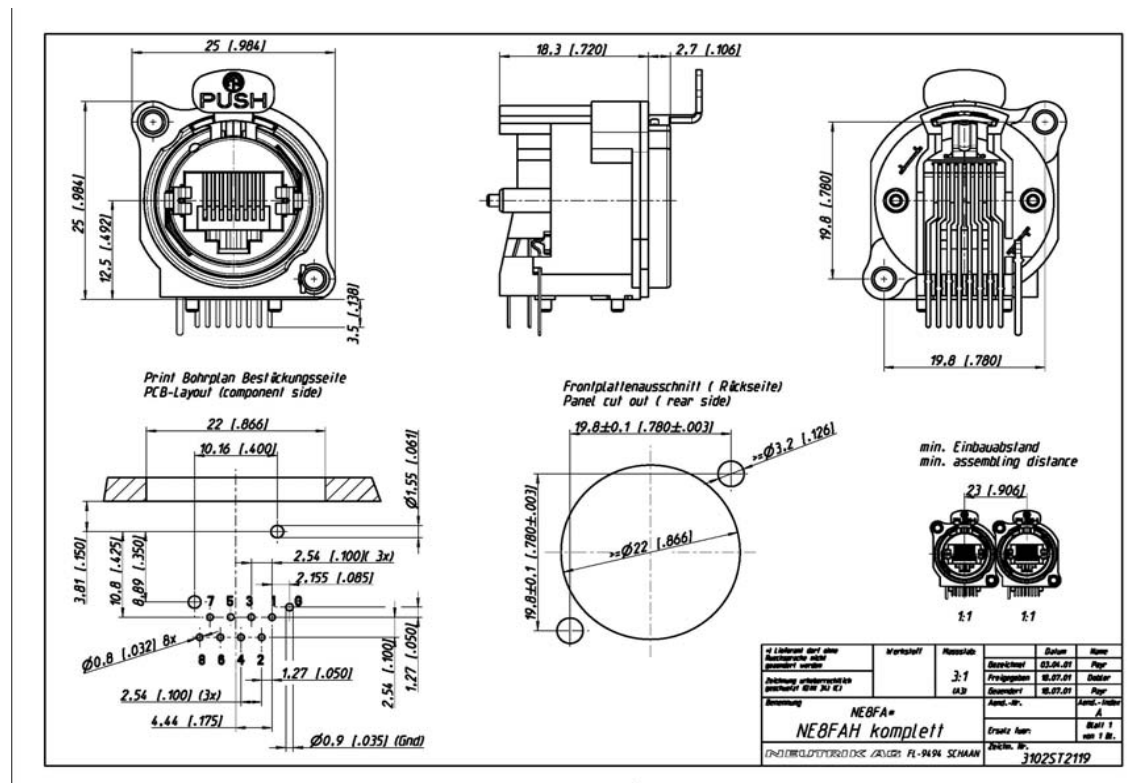


Step 5 - Press the grounding plate down until latches snap into connector pins (see red arrows)



RJ45 - EtherCon

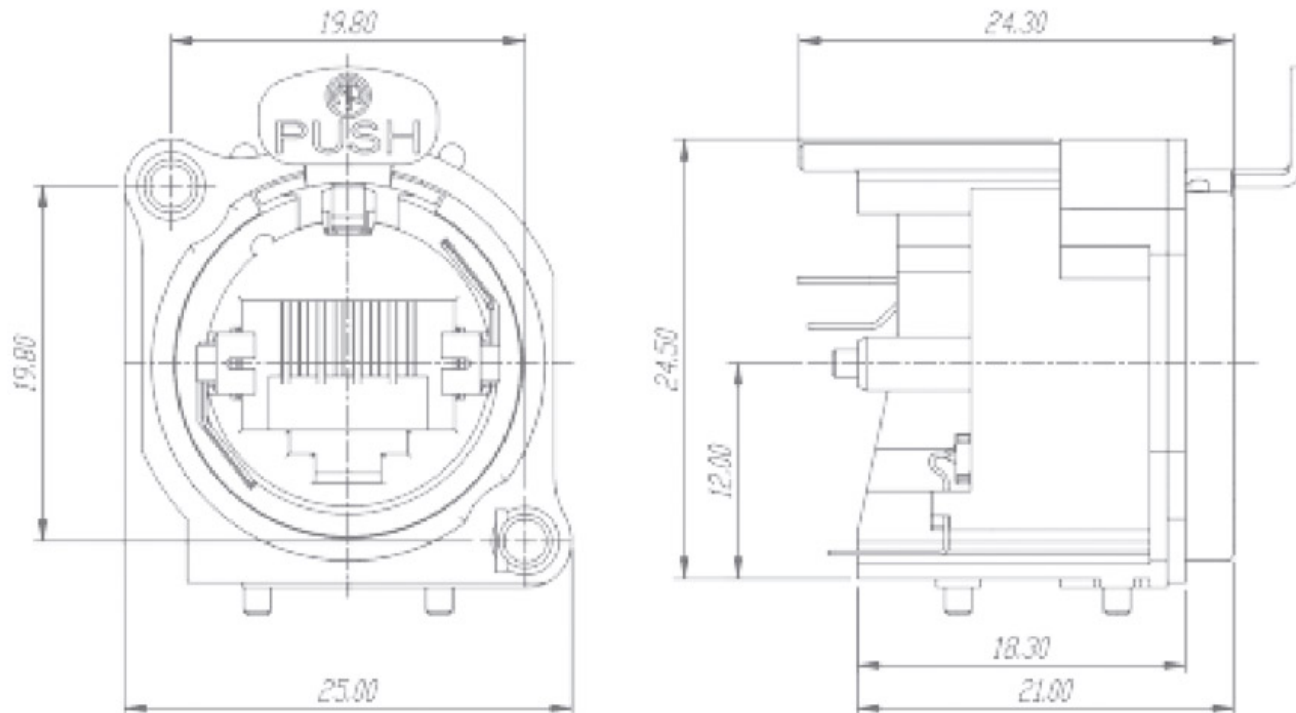
Dimensional drawing NE8FAH – available in .pdf, .dwg or .dxf formats on www.neutrik.com





RJ45 - EtherCon

Dimensional drawing NE8FAV – available in .pdf, .dwg or .dxf formats on www.neutrik.com





RJ45 - EtherCon

Dimensional drawing NE8FDV-YK – available in .pdf, .dwg or .dxf formats on www.neutrik.com

