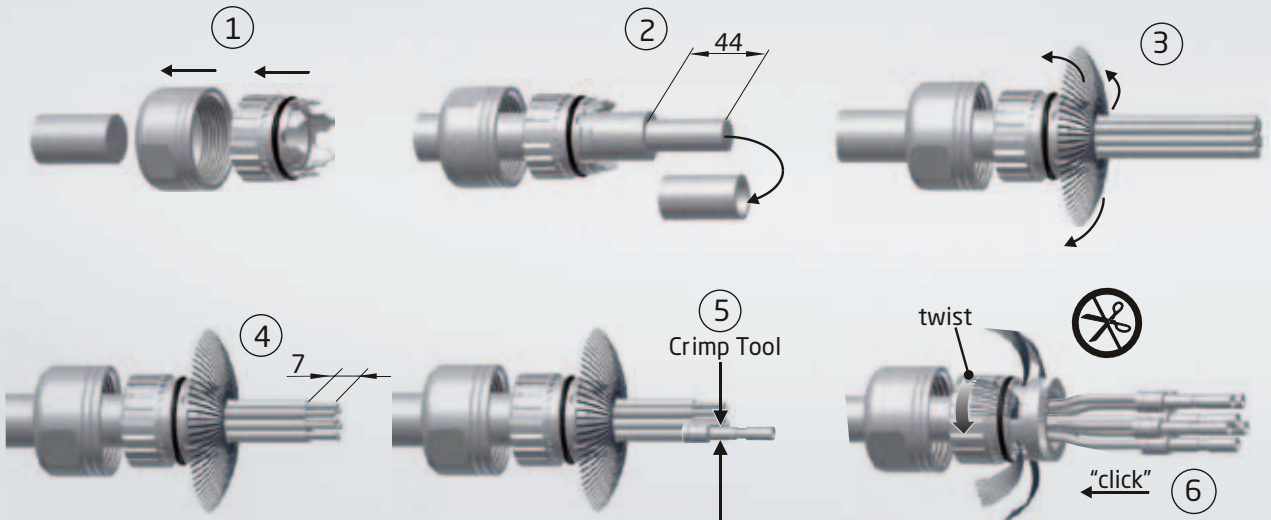
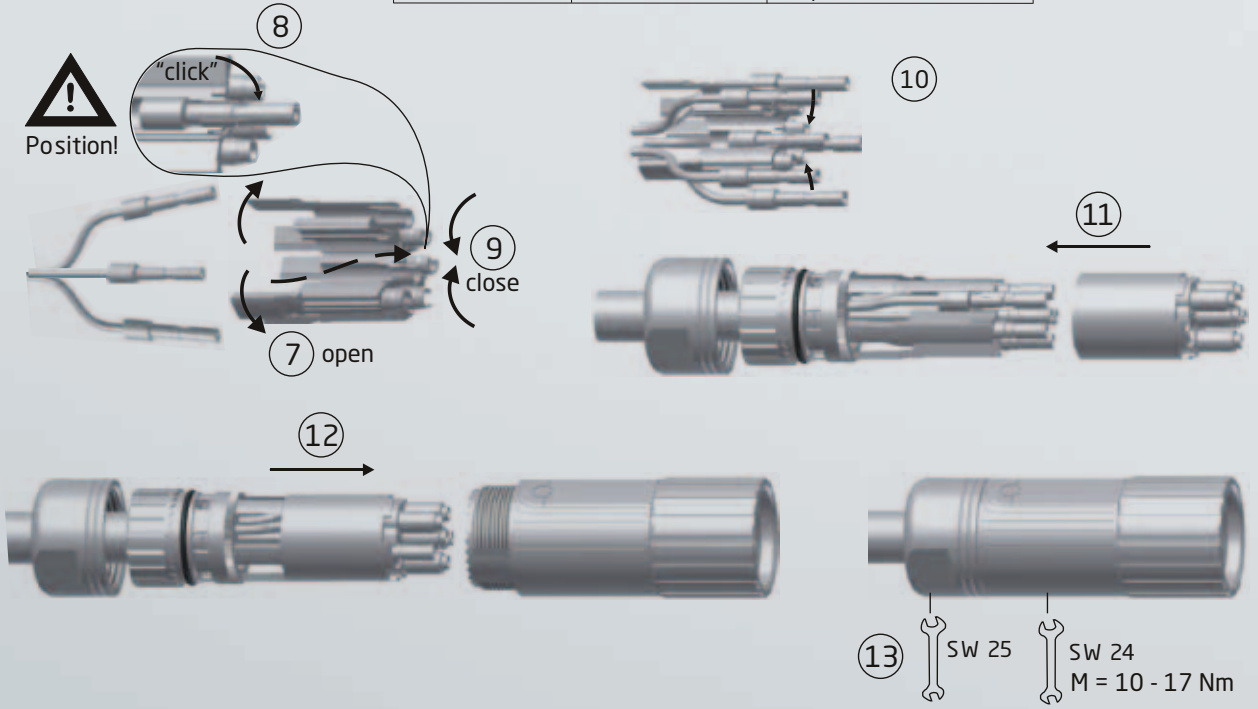


923

Serie 923 Stecker 6-polig Kronenklemmung, für Crimpkontakte Series 923 Plug 6-pin crone clamp, crimp version

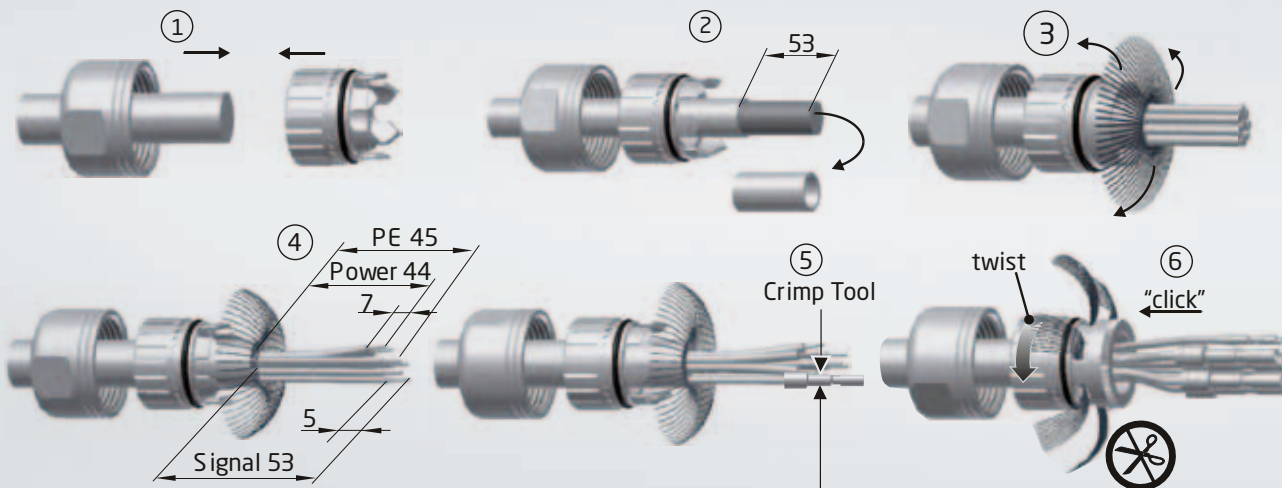
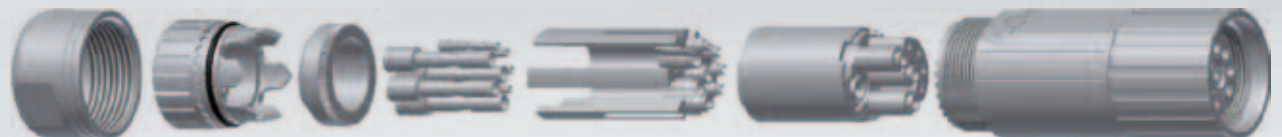


	a[mm ²]	Crimp Tool No.:	Positioner No.:	Colour
Power	0,35 - 2,5	C0.201.00	C0.004.00	blue
	2,5 - 4,0	- " -	- " -	blue
		digital crimp tool C0.236.00	tool settings: see crimp tool manual	

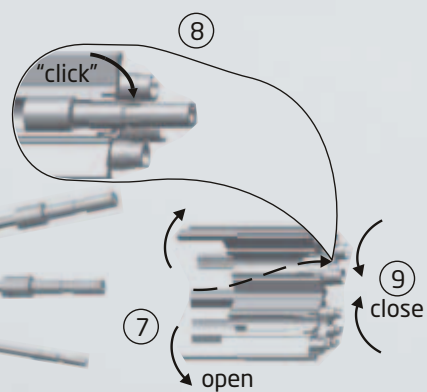


923

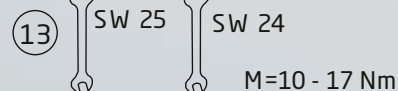
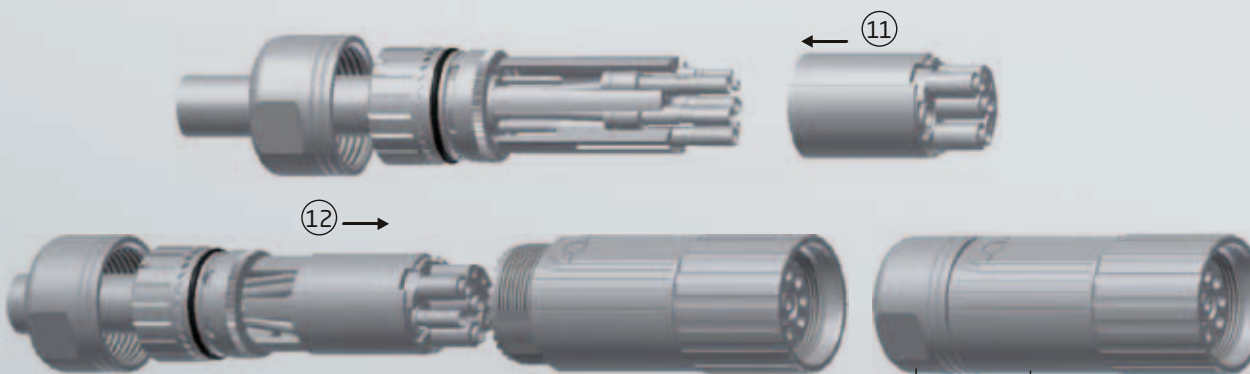
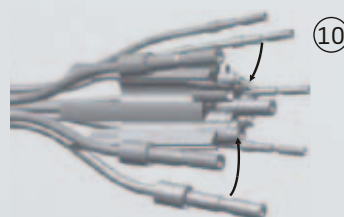
Serie 923 Stecker 8-polig Kronenklemmung, für Crimpkontakte Series 923 Plug 8-pin crone clamp, crimp version



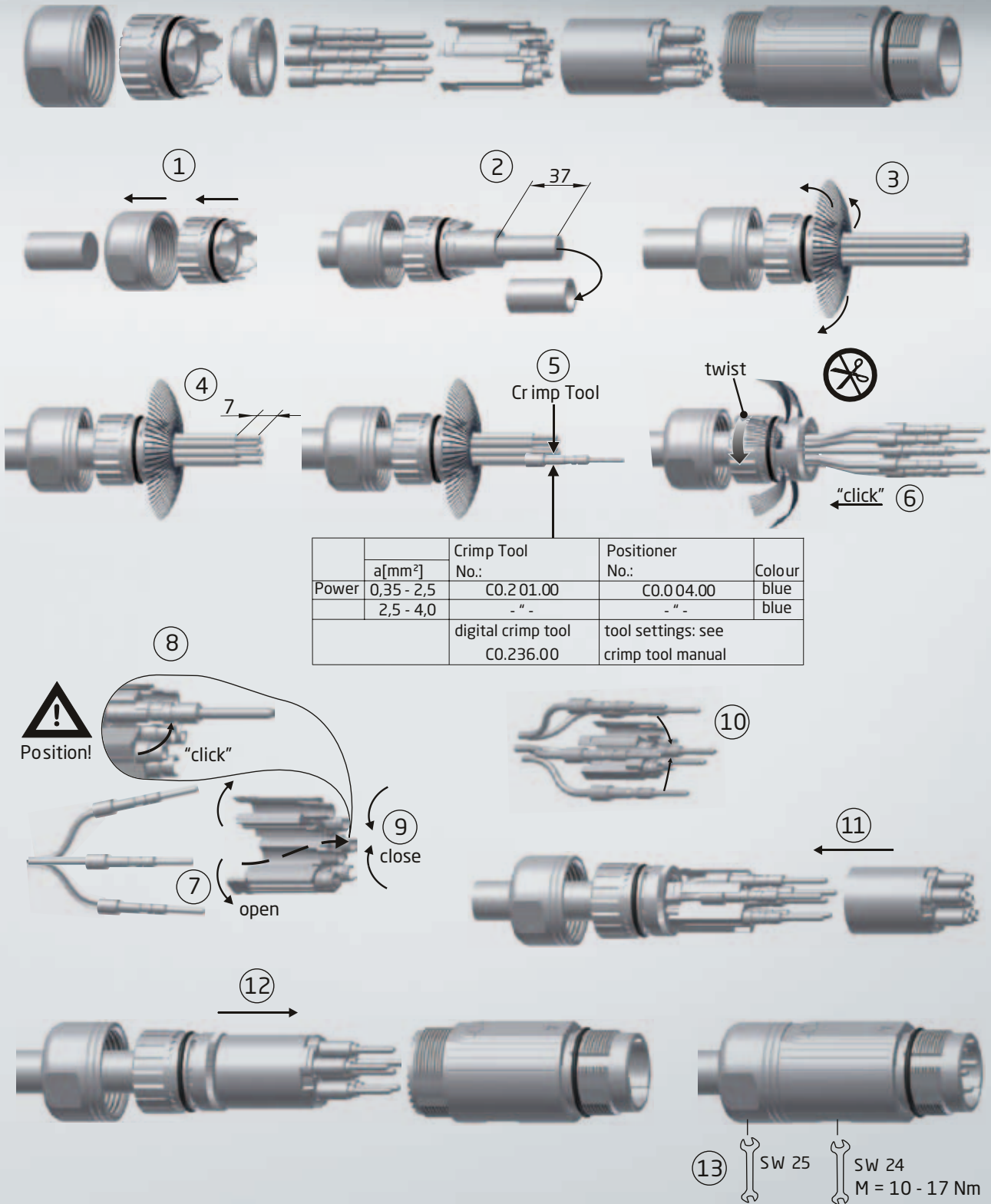
Position!



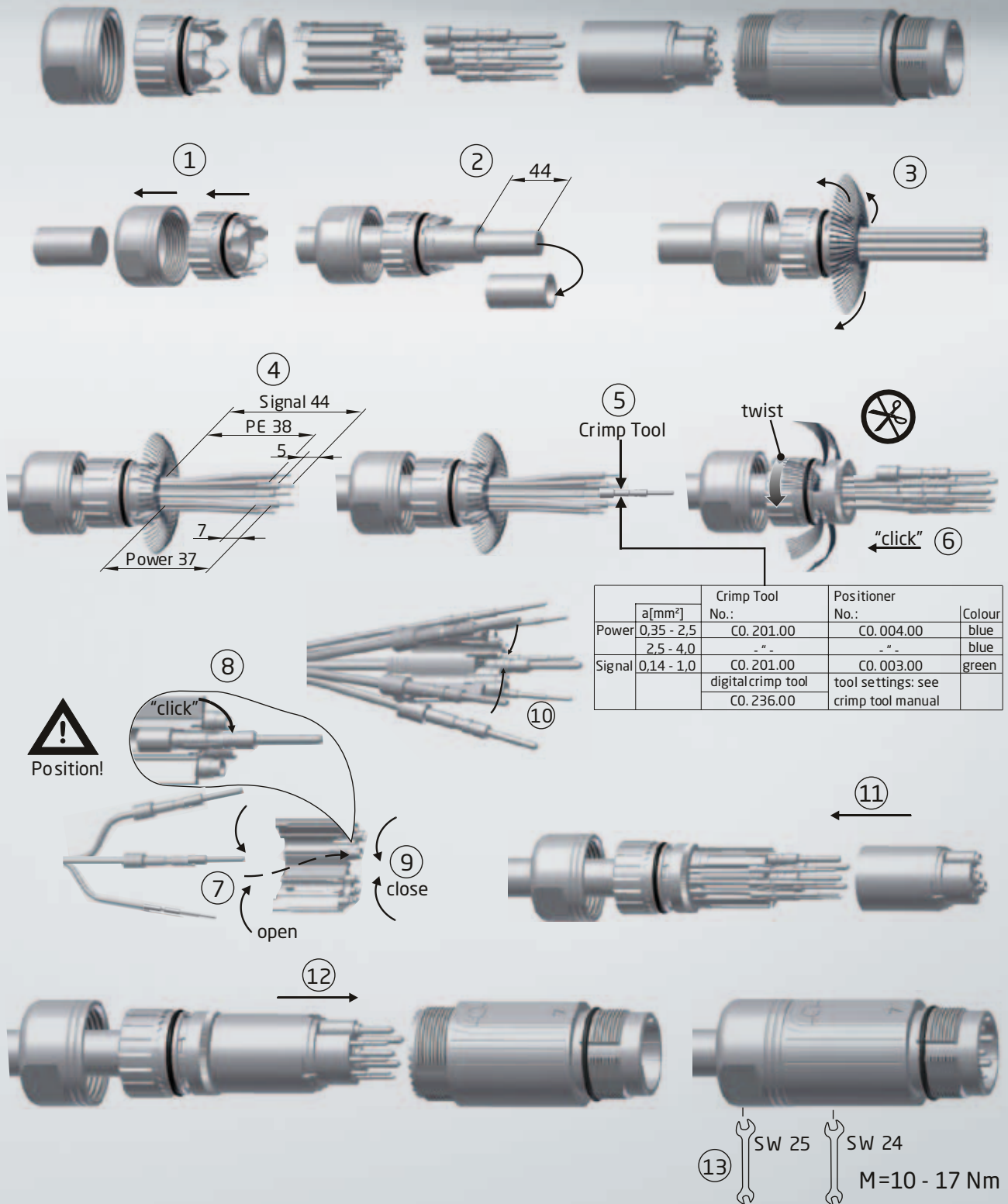
	a[mm ²]	Crimp Tool	Positioner	Colour
		No.:	No.:	
Power	0,35 - 2,5	C 0.201.00	C 0.004.00	blue
	2,5 - 4,0	- " -	- " -	blue
Signal	0,14 - 1,0	C 0.201.00	C 0.003.00	green
		digital crimp tool C 0.236.00	tool settings: see crimp tool manual	



Serie 923 Kupplung 6-polig Kronenklemmung, für Crimpkontakte
Series 923 Extension 6-pin crone clamp, crimp version

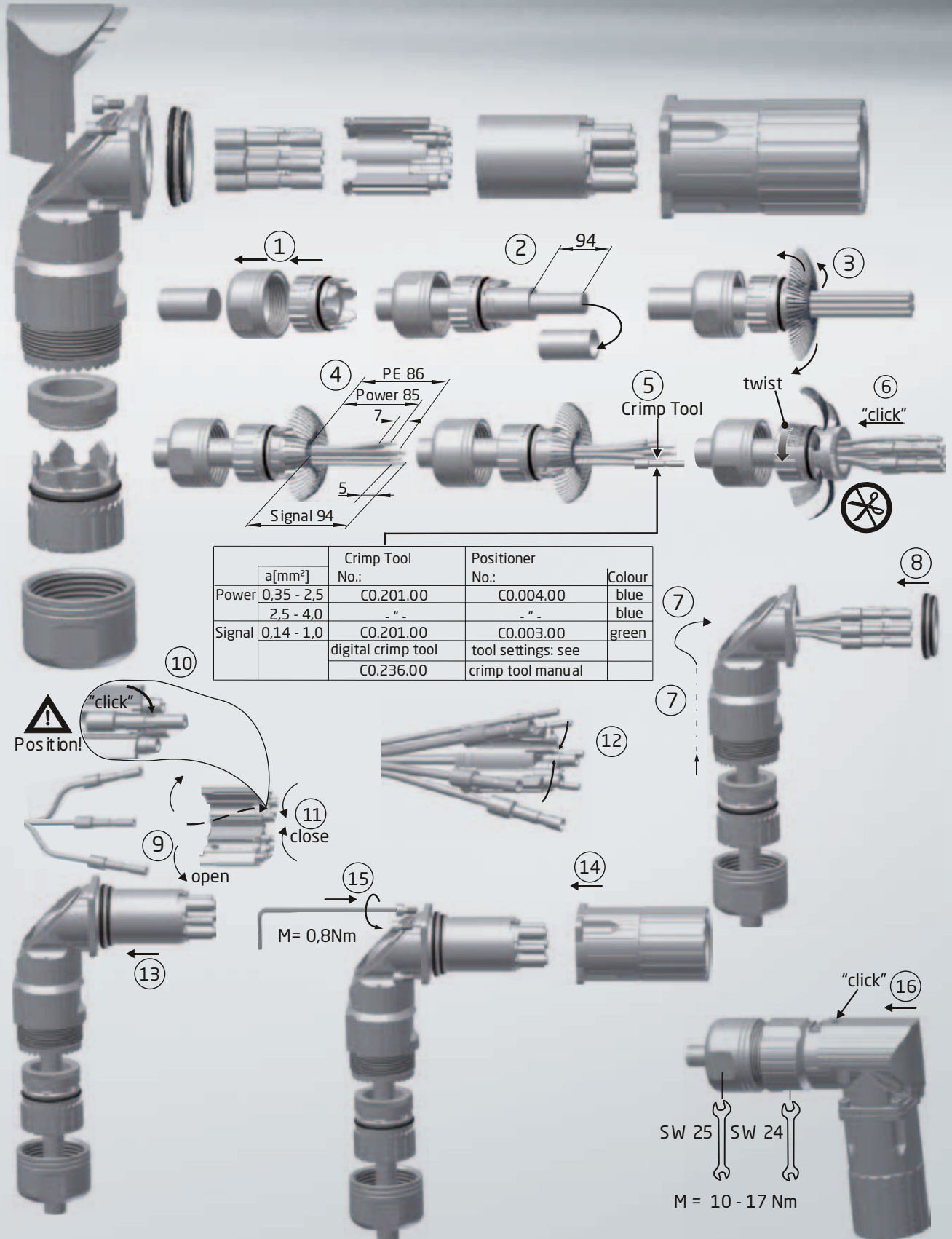


Serie 923 Kupplung 8-polig Kronenklemmung, für Crimpkontakte
Series 923 Extension 8-pin crone clamp, crimp version



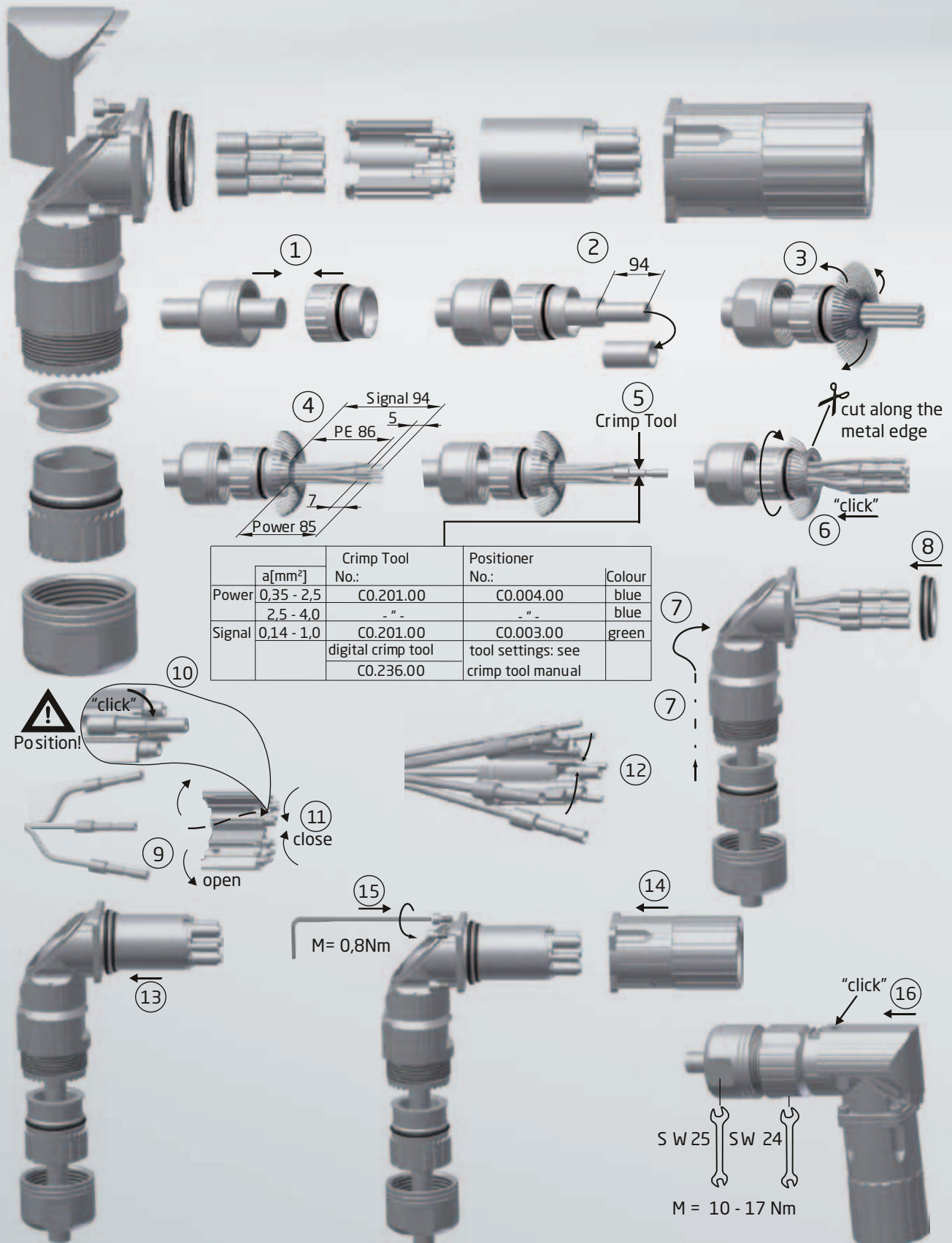
	a[mm²]	Crimp Tool		Positioner		Colour
		No.:	No.:	No.:	No.:	
Power	0,35 - 2,5	CO. 201.00		CO. 004.00		blue
	2,5 - 4,0	-		-		blue
Signal	0,14 - 1,0	CO. 201.00		CO. 003.00		green
		digital crimp tool		tool settings: see		
		CO. 236.00		crimp tool manual		

Serie 923 Winkelstecker 8-polig Kronenklemmung, für Crimpkontakte
Series 923 Plug Angled 8-pin crone clamp, crimp version

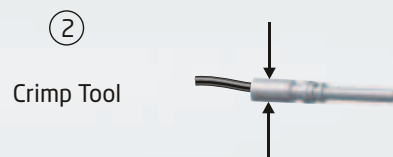
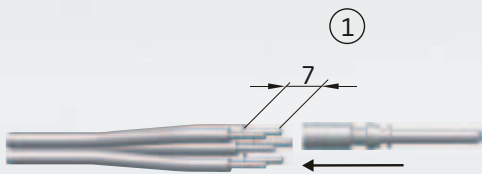
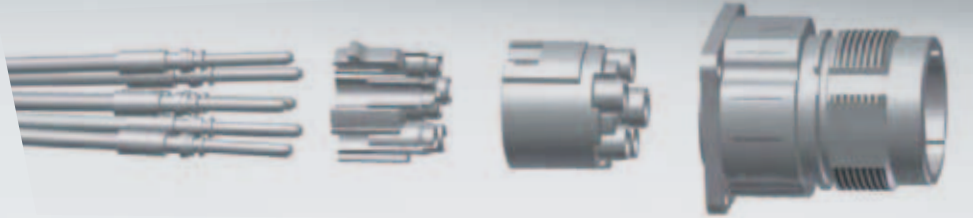


923

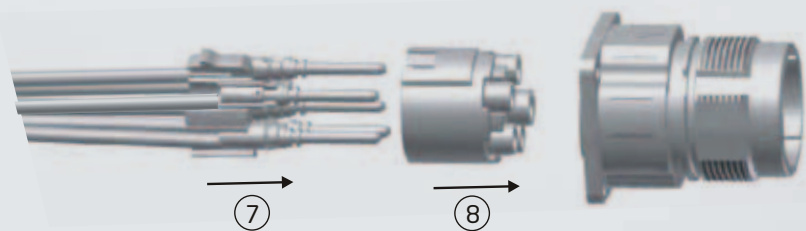
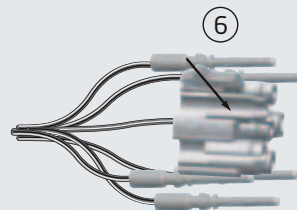
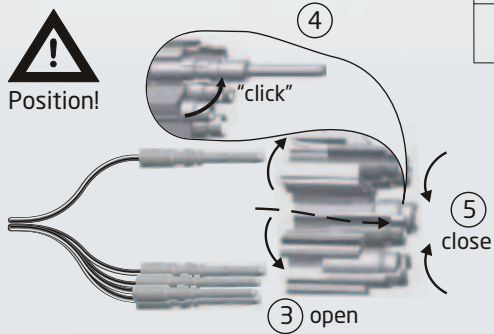
Serie 923 Winkelstecker 8-polig Lamellenklemmung, für Crimpkontakte Series 923 Plug Angled 8-pin lamella clamp, crimp version



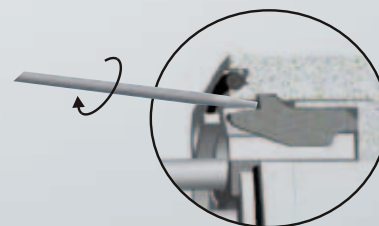
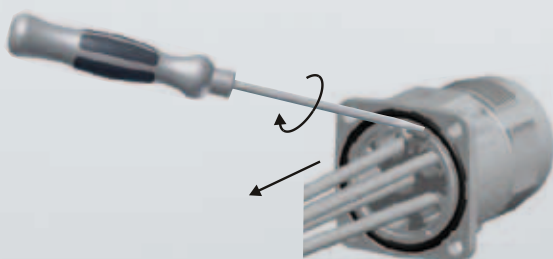
Serie 923 Einbaudose 6-polig
Series 923 Receptacle 6-pin



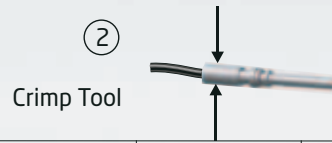
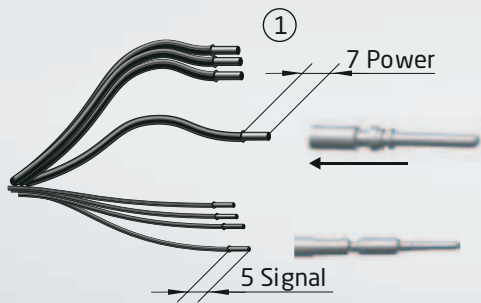
Power	a[mm ²]	Crimp Tool No.:	Positioner No.:	Colour
	0,35 - 2,5		C0.201.00	C0.004.00
	2,5 - 4,0	- " -	- " -	blue
		digital crimp tool C0.236.00	tool settings: see crimp tool manual	



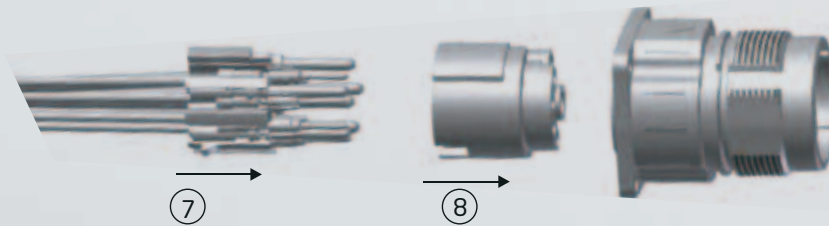
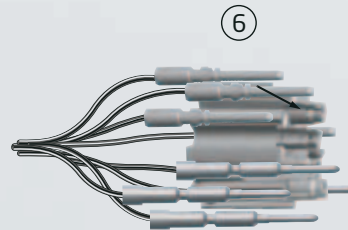
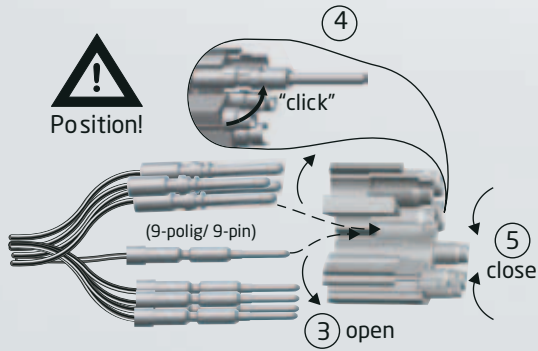
Demontage / Dismounting



Serie 923 Einbaudose 8 / 9-polig
Series 923 Receptacle 8 / 9-pin



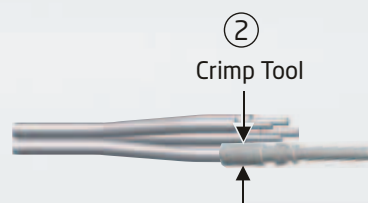
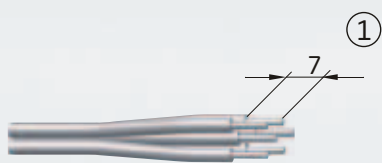
	a[mm ²]	Crimp Tool	Positioner	Colour
		No.:	No.:	
Power	0,35 - 2,5	C0. 201.00	C0. 004.00	blue
	2,5 - 4,0	- " -	- " -	blue
Signal	0,14 - 1,0	C0. 201.00	C0. 003.00	green
		digital crimp tool	tool settings: see	
		C0. 236.00	crimp tool manual	



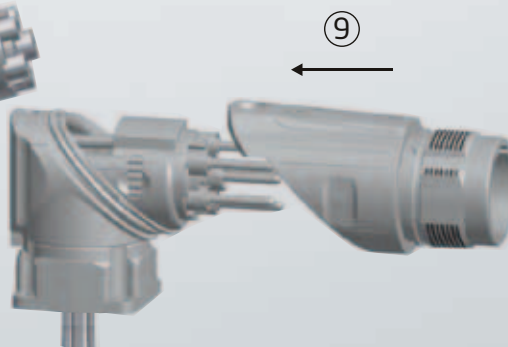
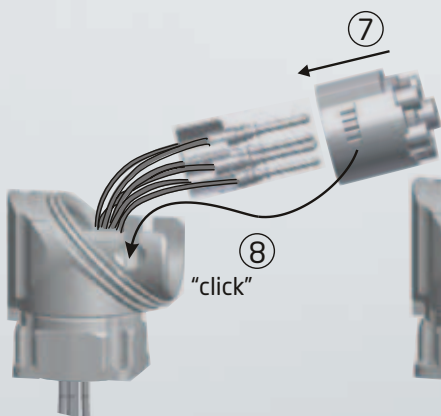
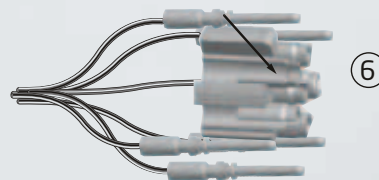
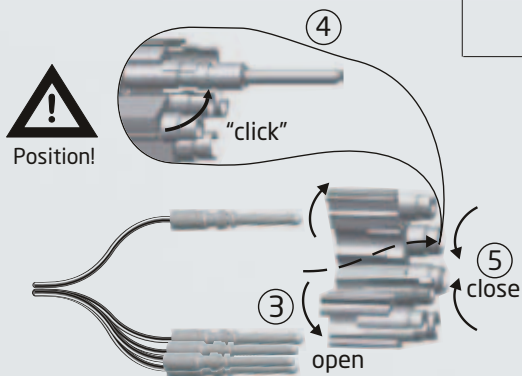
Demontage / Dismounting



Serie 923 Winkeleinbaudose speedtec, 6-polig, drehbar
Series 923 Receptacle Angled speedtec 6-pin, rotatable

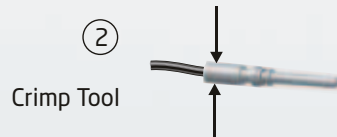
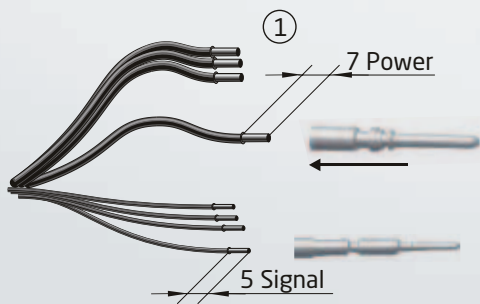


Power	a[mm ²]	Crimp Tool No.:	Positioner No.:	Colour
	0,35 - 2,5		C0.201.00	C0.004.00
2,5 - 4,0		- " -	- " -	blue
		digital crimp tool C0.236.00	tool settings: see crimp tool manual	

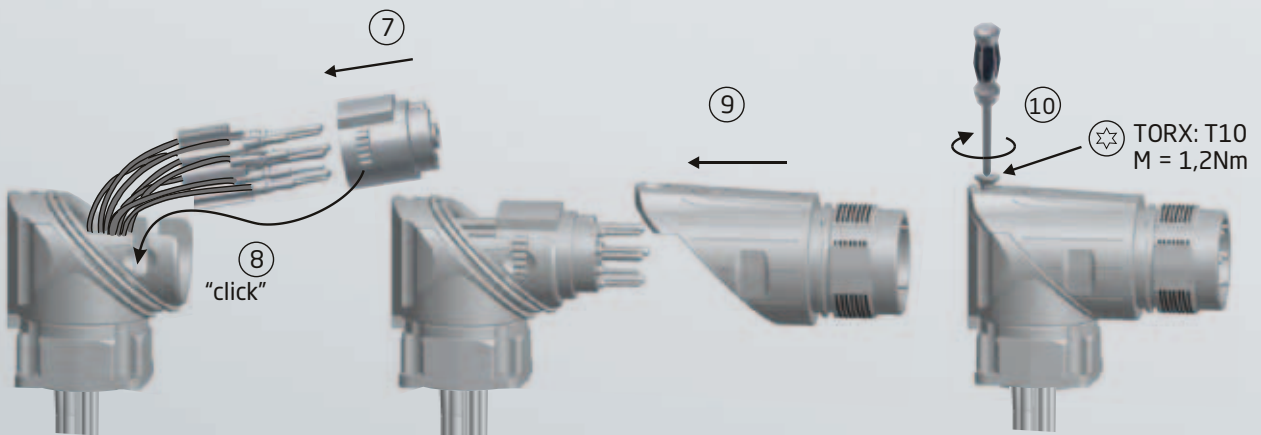
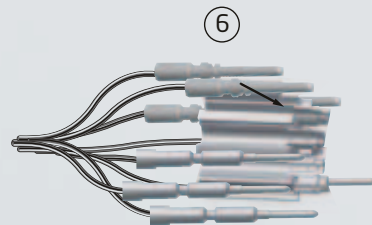
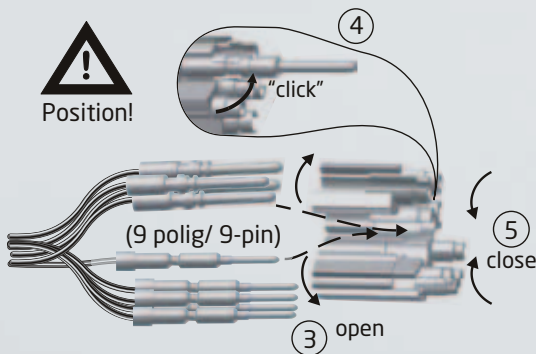


923

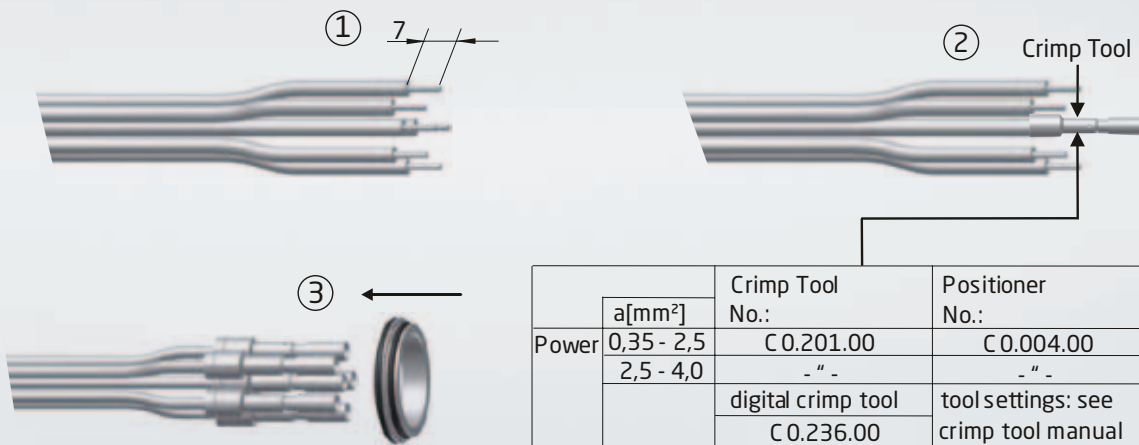
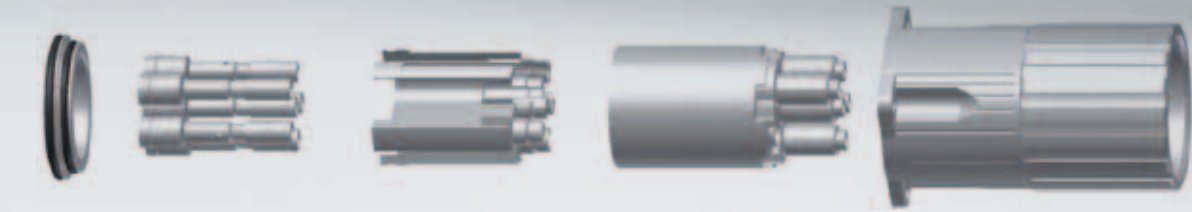
Serie 923 Winkeleinbaudose 8 / 9-polig, drehbar
 Series 923 Receptacle Angled 8 / 9-pin, rotatable



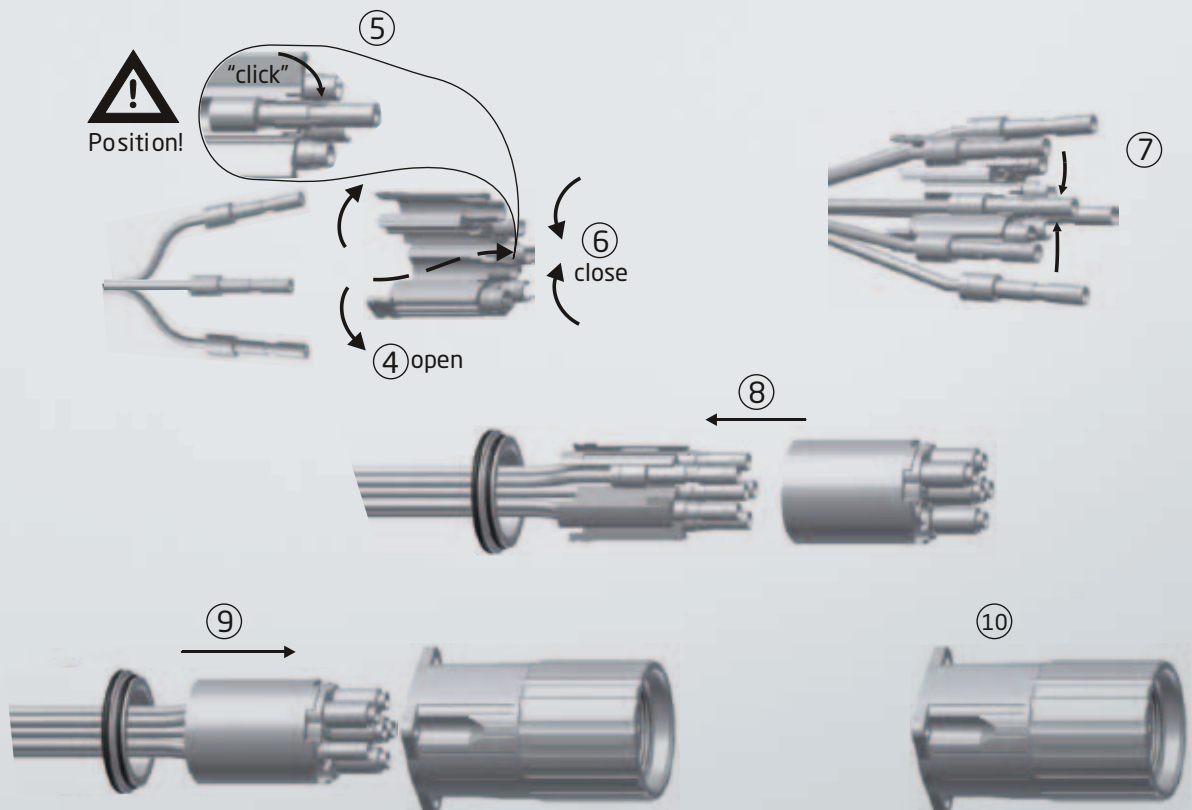
	a[mm ²]	Crimp Tool		Colour
		No.:	Positioner No.:	
Power	0,35 - 2,5	C0.201.00	C0.004.00	blue
	2,5 - 4,0	- " -	- " -	blue
Signal	0,14 - 1,0	C0.201.00	C0.003.00	green
		digital crimp tool C0.236.00	tool settings: see crimp tool manual	



Serie 923 Durchführung 6-polig, für Crimpkontakte
Series 923 Bulk-Head Connector 6-pin, crimp version

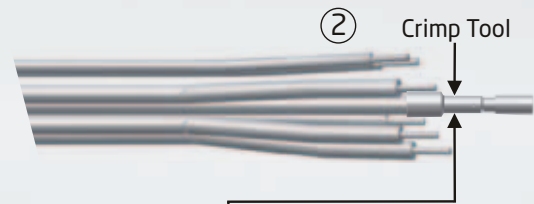
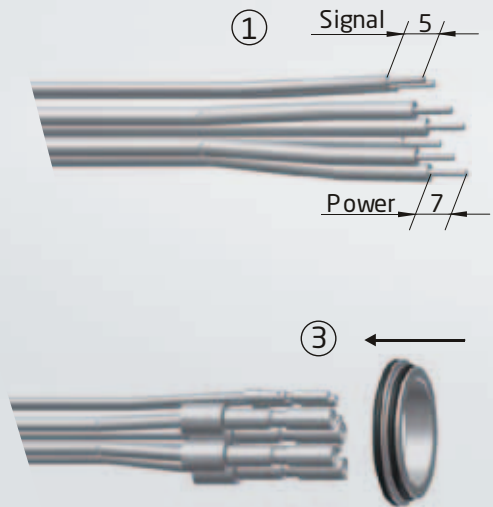
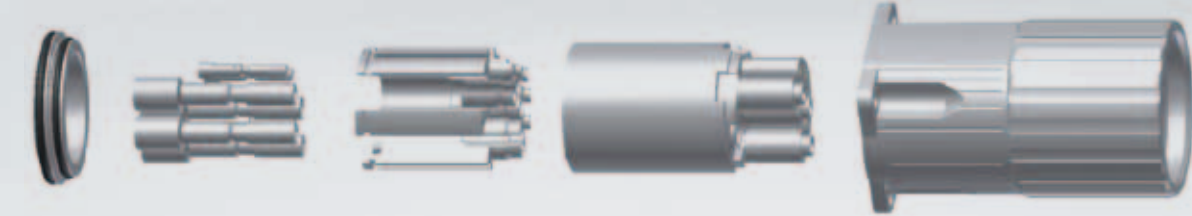


Power	a[mm ²]	Crimp Tool No.:	Positioner No.:	Colour
	0,35 - 2,5	C 0.201.00	C 0.004.00	blue
2,5 - 4,0	- " -	- " -	blue	
		digital crimp tool C 0.236.00	tool settings: see crimp tool manual	



923

Serie 923 Durchführung 8-polig, für Crimpkontakte
Series 923 Bulk-Head Connector 8-pin, crimp version



	a[mm ²]	Crimp Tool No.:	Positioner No.:	Colour
Power	0,35 - 2,5	C 0.201.00	C 0.004.00	blue
	2,5 - 4,0	- " -	- " -	blue
Signal	0,14 - 1,0	C 0.201.00	C 0.003.00	green
		digital crimp tool C 0.236.00	tool settings: see crimp tool manual	

