



☆☆☆
STANDARD



Digital Twin LNB

This SCHWAIGER® Twin LNB, which is suitable for multifeed systems, is used to establish a digital-enabled satellite system with up to two subscribers. The F connections are

protected by an extendible and weather-resistant cover.



ARTICLE INFORMATION

Article Nr
EAN

LNB2
4004005001914



Last updated: 21.02.2017



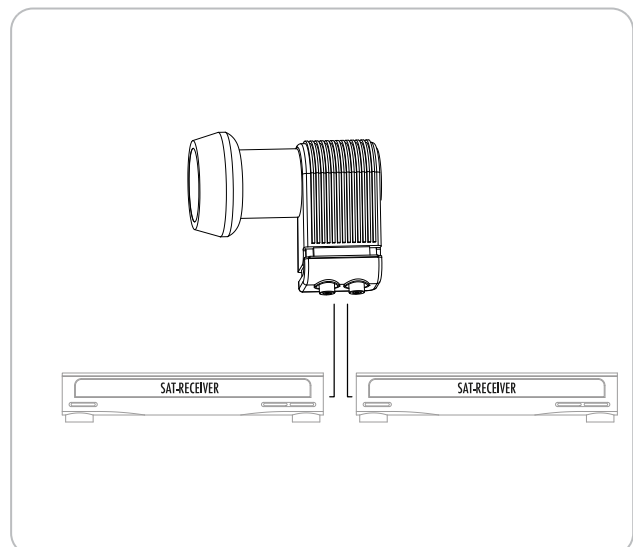
**LOW
NOISE**
Rauscharm

(LNB2)

- reception system for setting up satellite systems for 2 subscribers
- suitable for multifeed systems
- F connectors are protected by extendible weather-resistant cover
- weather protection due to weather-resistant plastic cover

TECHNICAL DATA

Quality	* Standard
Reception system	TWIN (2 subscribers)
Connections	2x F jack
Input frequency	10,70 - 11,70 GHz (low) 11,70 - 12,75 GHz (high)
Output frequency	950 - 2,150 MHz
Oscillation frequency	9,75 GHz (low) 10,60 GHz (high)
Control function	0 kHz (low) 22 kHz (high)
Polarisation	isolation: > 25 dB
Power supply	11,50 - 19,00 V supply voltage
Feed diameter	40 mm
Material of product	plastic weather-resistant
Colour	light gray
Dimensions (width)	122 mm
Dimensions (height)	76 mm
Dimensions (depth)	45 mm
Packaging	carton



Last updated: 21.02.2017