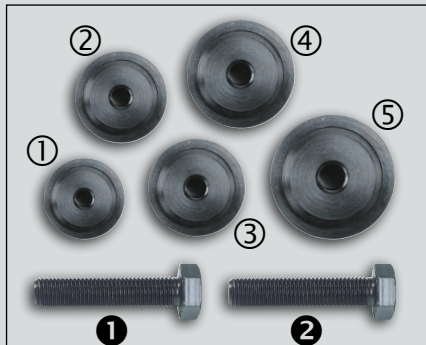


RUKO

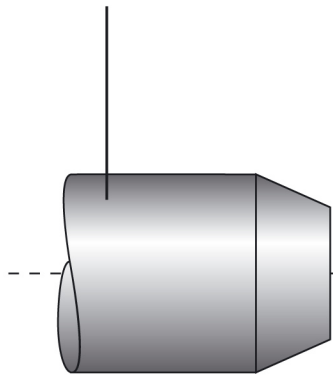
Art. No. 109 015

Ø mm		 mm	 mm	 mm	 mm	 mm
12,7	MF 8	2,0 mm	1,0 mm	4,0 mm	4,0 mm	4,0 mm
14,0						
15,2						
16,5						
18,6						
20,4	MF 10	2,0 mm	1,0 mm	4,0 mm	4,0 mm	4,0 mm
22,5						
25,4						
28,3						
42,0						
32,5	MF 12	3,0 mm	2,0 mm	4,0 mm	4,0 mm	4,0 mm
37,0						
40,5						
47,0						
50,5						
54,0						
63,5						

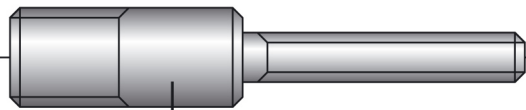


①		Ø 16,0 mm	No. 109 160
②		Ø 18,0 mm	No. 109 180
③		Ø 20,0 mm	No. 109 200
④		Ø 25,0 mm	No. 109 250
⑤		Ø 30,0 mm	No. 109 300
①	1,0 x 45	MF 10	No. 103 110
②	1,5 x 55	MF 12	No. 103 112

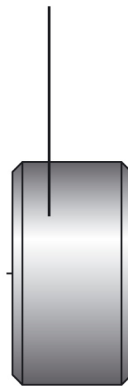
Hydraulikstanze



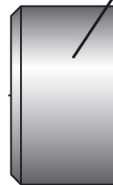
Adapterschraube



Distanzbuchse



zu bearbeitendes Blech



Schraublochstanze

