

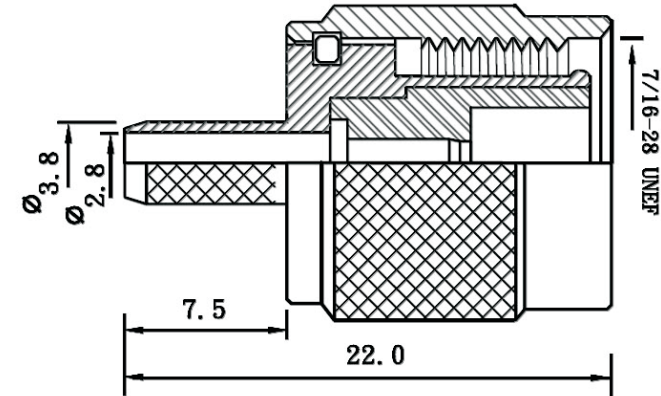
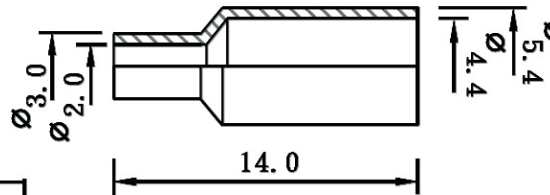
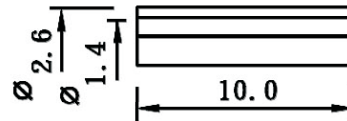
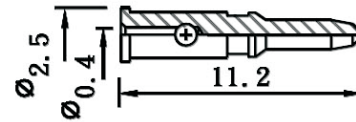
Artikel-Nr.: 1082758

Bez.: TNC Stecker crimp für RG-178

Impedance	50 Ω
Frequency Range	0 to 4 GHz
Voltage Rating	500 volts peak
Dielectric Withstanding Voltage	1500 volts rms
VSWR	M39012 straight connectors: 1.3 max. 0-4GHz M39012 right angle: 1.3 max. 0-4GHz
Other (MIL-C-39012 Cable Connectors)	Contact resistance: center contact 1.5 milliohm outer contact 0.2 milliohm Insertion loss: 0.2db max at 3.0GHz Insulation resistance: 5000 mΩ (min)

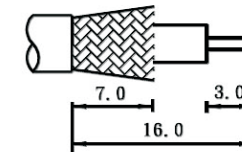
NOTE: FINISH (PLATING THICKNESS IN MICRO-INCHES)

1. BRASS PER JIS-C3604
2. CONNECTOR INTERFACE PER MIL-STD-348A
3. PART TO BE CLEAN AND FREE BURRS
4. NICKEL PL 70 μ" THICK OVER COPPER STRIKE
5. GOLD PL 1-3 μ" OVER NICKEL PL 70 μ" THICK OVER COPPER STRIKE



5	Support	Delrin	White
4	Ferrule	Brass	Nickel
3	Insulator	Delrin/POM	White
2	Contact	Brass	Gold
1	Body	Brass	Nickel
No	Description	Material	Finish

Recommended Cable Stripping



- 1: Crimped Contact
Hex Crimp Size: .068"
- 2: Crimped Ferrule
Hex Crimp Size: .187"
Hex Crimp Size: .100"

www.bkl-electronic.de

Technische Änderungen vorbehalten. Ausführungen können variieren. Sollten Sie ein Muster benötigen kontaktieren Sie uns bitte.

BKL-ELECTRONIC Kreimendahl GmbH • Märkenstück 14 • 58509 Lüdenscheid
Tel: +49 (0)2351-3621-0 • Fax: +49 (0)2351-3621-29 • info@bkl-electronic.de

