

Artikel-Nr.: 1082759

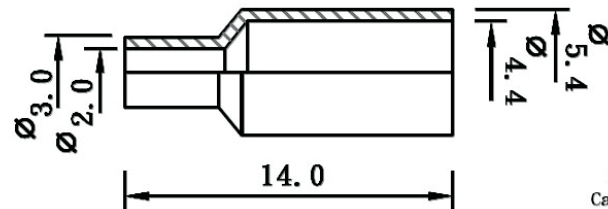
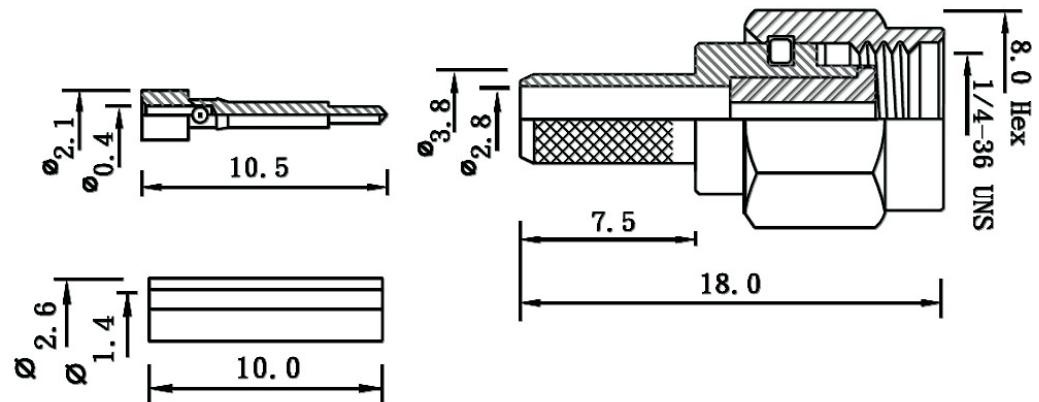
Bez.: SMA Stecker crimp für RG-178

Impedance	50Ω
Ferquency range	0~18 GHz
Voltage rating	RG-55,58,141,142,223,303 500: volts peak RG-122,174,188,316,375: 375 volts peak
VSWR (straight connectors)	RG-55 group: 1.15+0.011(GHz) RG-178 group: 1.20+0.251(GHz)
othr (MIL-C-39012 cable connectors)	Contact resistance Center contact: 2.0 milliohm Body contact: 2.0 milliohm Insertion loss:0.03√f(GHz) dB max Insulation resistance:5000 megohms(min)
Coupling Torque	15.0 lb-in (1.70 N.m)

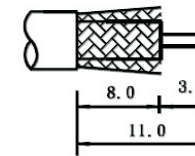
NOTE: FINISH PLATING THICKNESS IN MICRO-INCHES

1. BODY/CONTACT: BRASS PER JIS-C3604
2. INSULATION: TEFLON PER ASTM D1457 AND ASTM D1710
3. CONNECTOR INTERFACE PER MIL-STD-348A
4. PART TO BE CLEAN AND FREE BURRS
5. GOLD PL 1~ 3 MIN OVER NICKEL PL 70 μ" MIN THICK OVER COPPER STRIKE

5	Support	Delrin	White
4	Ferrule	Brass	Gold
3	Insulator	Teflon	White
2	Contact	Brass	Gold
1	Body	Brass	Gold
No	Description	Material	Finish



Recommended
Cable Stripping



- 1: Crimped Contact
Hex Crimp Size: .068"
- 2: Crimped Ferrule
Hex Crimp Size: .187"
Hex Crimp Size: .100"

www.bkl-electronic.de

Technische Änderungen vorbehalten. Ausführungen können variieren. Sollten Sie ein Muster benötigen kontaktieren Sie uns bitte.

BKL-ELECTRONIC Kreimendahl GmbH • Märkenstück 14 • 58509 Lüdenscheid

Tel: +49 (0)2351-3621-0 • Fax: +49 (0)2351-3621-29 • info@bkl-electronic.de

