

Artikel-Nr.: 1082763

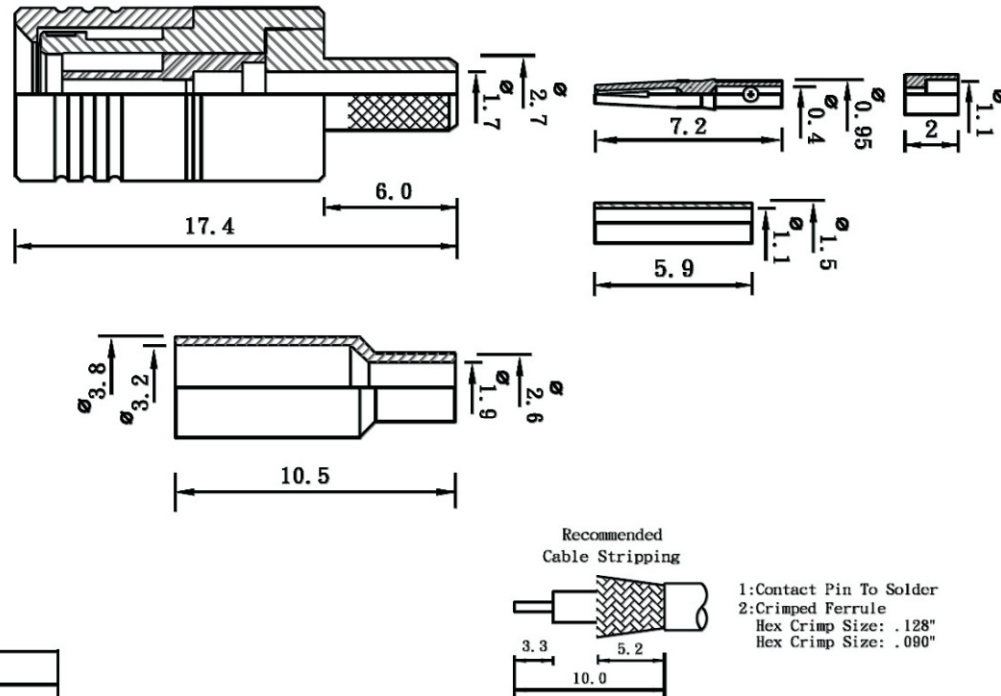
Bez.: SMB Crimp-Stecker für RG-178

Impedance	50 Ω
Frequency range	0 to 4GHz with low reflection: usable to 10.0 GHz
Voltage rating for RG-188/U cables	Sea level 335 volts 70,000 ft: 85 volts
Dielectric withstanding voltage	750 VRMS RG-196 type 1000 VRMS for RG-188 type
VSWR (straight/rt. angle connectors)	RG-196/U series 1.30-.041(GHz) 1.45-.061(GHz) RG-188/U series 1.25-.041(GHz)/1.35-.041(GHz)
Contact resistance	Center contact: initial 6.0 miliohms; After environmental. 8.0 Outer contact: initial 1.0 miliohms; After environmental. 1.5 Braid to body: initial 1.0 miliohms; After environmental. N/A
Insulation resistance	1000 megohms min.
RF leakage	.55dB min. @2-3GHz
Insertion loss (straight/rt. angle connectors)	0.30dB @ 1.5GHz/0.6dB @ 1.5GHz

NOTE: FINISH (PLATING THICKNESS IN MICRO-INCHES)

1. BODY: BRASS PER JIS-C3604
2. INSULATION: TEFLON PER ASTM D1457 AND ASTM D1710
3. CONNECTOR INTERFACE PER MIL-STD-348A
4. PART TO BE CLEAN AND FREE BURRS
5. GOLD PL 1-3 u" OVER NICKEL PL 70 u" THICK OVER COPPER STRIKE

6	Support	Brass	Gold
5	Support	Teflon	White
4	Ferrule	Brass	Gold
3	Insulator	Teflon	White
2	Contact	Beryllium Cooper	Gold
1	Body	Brass	Gold
No	Description	Material	Finish



[www.bkl-electronic.de](http://www.bkl-electronic.de)

Technische Änderungen vorbehalten. Ausführungen können variieren. Sollten Sie ein Muster benötigen kontaktieren Sie uns bitte.

BKL-ELECTRONIC Kreimendahl GmbH • Märkenstück 14 • 58509 Lüdenscheid  
Tel: +49 (0)2351-3621-0 • Fax: +49 (0)2351-3621-29 • [info@bkl-electronic.de](mailto:info@bkl-electronic.de)

