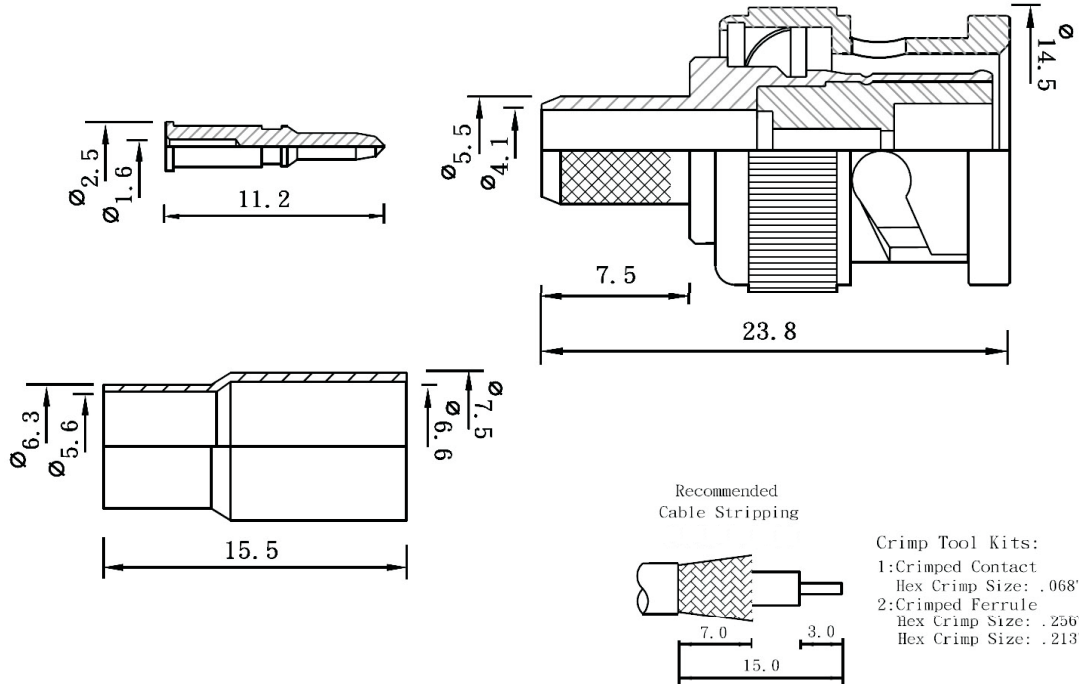


Artikel-Nr.: 1082835

Bez.: BNC Stecker Crimpausführung für RG58 Low Loss Kabel

Electrical	
Impedance	50 Ω
Frequency range	0-4GHz
VSWR	≤ 1.2 typ
Test voltage	1500 volts rms
Working voltage	400 V rms
Voltage rating	500 volts peak
Power handling	≤ 80 W (2GHz)
Other (MIL-C-39012 Cable Connectors)	Contact resistance: center contact ≤ 1.5 mΩ outer contact ≤ 1 mΩ Insertion loss: ≤ 0.1x√(GHz)dB Insulation resistance: ≥ 5000 mΩ
Material	
Mating cycles	≥ 500
Center contact captivation	axial: ≥ 27 N
Environmental	
Temperature range	-45°C + 85°C
Thermal shock	US MIL-STD 202, Meth. 107, Cond. B
Vibration	US MIL-STD 202, Meth. 204, Cond. B
Climatic class	IEC 60068 65/165/21
Shock	US MIL-STD 202, Meth. 213, Cond. B
Corrosion resistance	US MIL-STD 202, Meth. 101, Cond. B
Degree of protection (mated pair)	IEC 60529



NOTE: FINISH (PLATING THICKNESS IN MICRO-INCHES)  
 1. BODY/CONTACT: BRASS PER JIS-C3604  
 2. CONNECTOR INTERFACE PER MIL-STD-348A  
 3. PART TO BE CLEAN AND FREE BURRS  
 4. NICKEL PL 70 u" THICK OVER COPPER STRIKE  
 5. GOLD PL 1- 3 u" OVER NICKEL PL 70 u" THICK OVER COPPER STRIKE

5	Ferrule	Brass	Nickel
4	Shell	Brass	Nickel
3	Insulator	Delrin	White
2	Contact	Brass	Gold
1	Body	Brass	Nickel
No	Description	Material	Finish

**www.bkl-electronic.de**

Technische Änderungen vorbehalten. Ausführungen können variieren. Sollten Sie ein Muster benötigen kontaktieren Sie uns bitte.

BKL-ELECTRONIC Kreimendahl GmbH • Märkenstück 14 • 58509 Lüdenscheid  
 Tel: +49 (0)2351-3621-0 • Fax: +49 (0)2351-3621-29 • info@bkl-electronic.de

