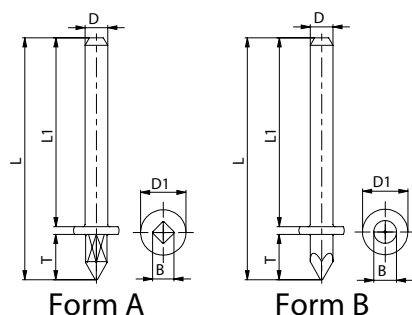


## Steckerstifte aus Draht/Kontaktteile Fiches de goupille de fil/Contacts Plug pins from wire/Contact parts

Werkstoff/Matière/Material  
.6 = Messing/laiton/brass

= Oberflächen/Surface/Surface-plating  
Seite/page/page 5.011



øD mm	Form	L mm	T mm	L1 mm	øD1 mm	B mm	Artikelnummer Numéro d'article Part-No.	Werkzeuge Outils Toolings	øD mm	Form	L mm	T mm	L1 mm	øD1 mm	B mm	Artikelnummer Numéro d'article Part-No.	Werkzeuge Outils Toolings		
1	A	7.7	2.4	4.8	1.8	1.05	1364u.6	85	1	A	15.5	3	12	1.8	1.05	1364d.6	97		
	A	9.5	2.4	6.6	1.8	1.05	1364a.6			A	18	6	11.5	1.8	1.05	1364r.6			
	B	10	3.5	6	1.8	1	1364p.6			A	20	2.5	17	1.8	1.05	1364q.6			
	A	10	3.5	6	1.8	1.05	1364e.6			A	20	3.5	16	1.8	1.05	1364t.6			
	A	10.8	4.5	5.8	1.8	1.05	1364c.6			85	1.3	A	9.5	3.5	5.5	2.5	1.43	1365.6	84
	B	11	4.5	6	1.8	1	1364k.6					A	11	4.5	6	2.5	1.4	1365a.6	
	A	11	4.5	6	1.8	1.05	1364g.6					A	12.5	3.8	8.1	2.5	1.4	1365f.6	
	A	11.5	3	8	1.8	1.05	1364b.6			86		A	13.5	5	8	2.5	1.4	1365b.6	83
	A	12.5	5	7	1.8	1.05	1364f.6			85		A	13.5	5.5	7.5	2.5	1.4	1365c.6	
	A	14.1	3	10.6	1.8	1.05	1364s.6			97		A	14.7	2.5	11.7	2.5	1.4	1365d.6	
	B	15	8.5	6	1.8	1	1364m.6			85		A	15.9	5.7	9.7	2.5	1.4	1365e.6	
	B	15.4	6	8.9	1.8	1	1364h.6			86		A	16	3	12.5	2.5	1.4	1365m.6	
	B	15.4	9	5.9	1.8	1	1364l.6					B	16.2	5.9	9.8	2.5	1.3	1365l.6	

Andere Abmessungen auf Anfrage

Autres dimensions sur demande

Further dimensions on request

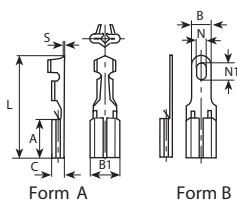
Werkstoff/Matière/Material  
.2 = Bronze/bronze  
.6 = Messing/laiton/brass

= Oberflächen/Surface/Surface-plating  
Seite/page/page 5.011

Faltstecker

clips femelles pliés

receptacles



für Stecker pour fiche for plug	Form	mm <sup>2</sup>	AWG	A mm	L mm	C mm	B1 mm	B mm	N mm	N1 mm	S mm	Artikelnummer Numéro d'article Part-No.	Werkzeuge Outils Toolings
Ø 1 mm	A	0.3-0.5	24-22	5.6	13.7	2.2	3.8				0.25	1359.6	3975b
Ø 1.3 mm	A	0.3-0.5	24-22	5.6	13.7	2.2	3.8				0.25	1361.6	
	B			5.5	13.5	2.2	3.8	2.5	1.2	2.2	0.25	1360.2	

Andere Abmessungen auf Anfrage

Autres dimensions sur demande

Further dimensions on request