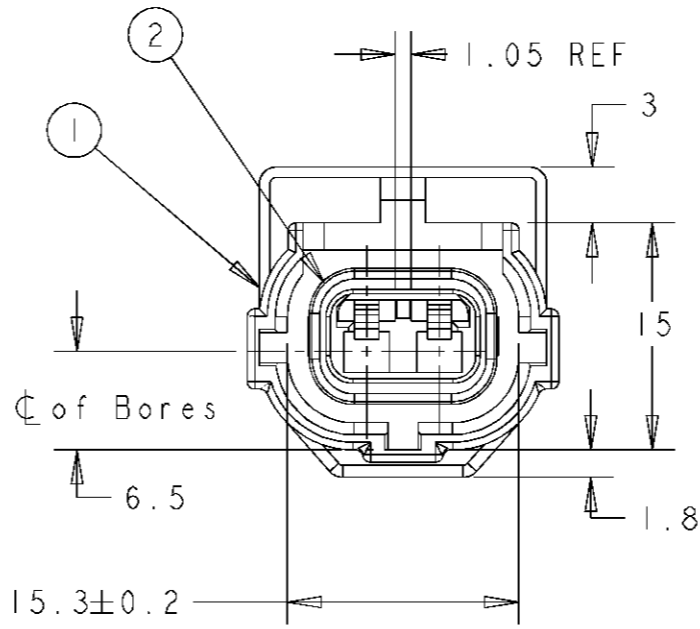
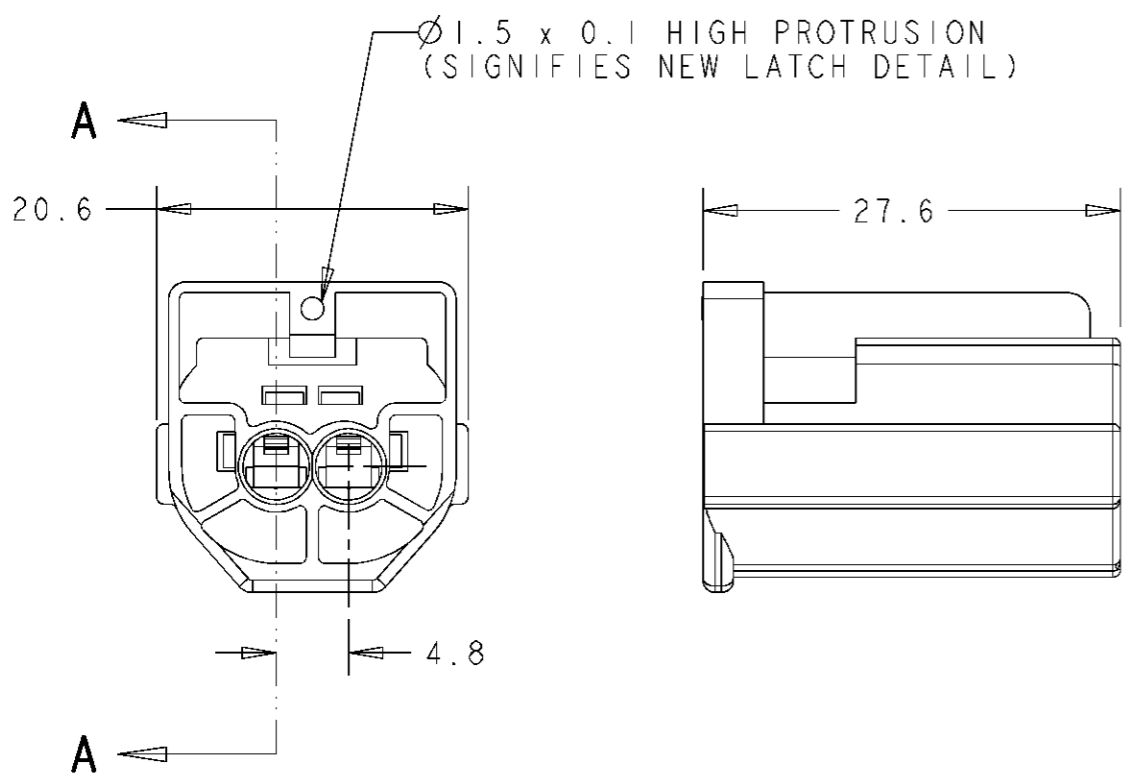
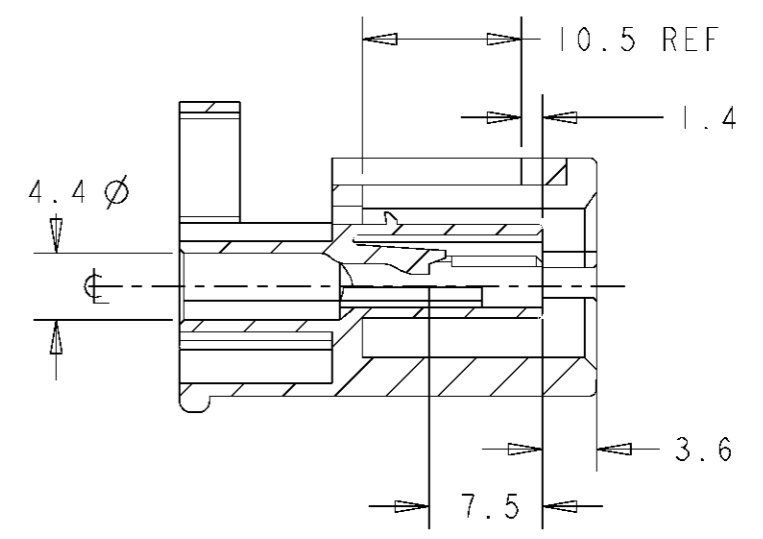


THIS DRAWING IS UNPUBLISHED. RELEASED FOR PUBLICATION
 © COPYRIGHT BY - ALL RIGHTS RESERVED.

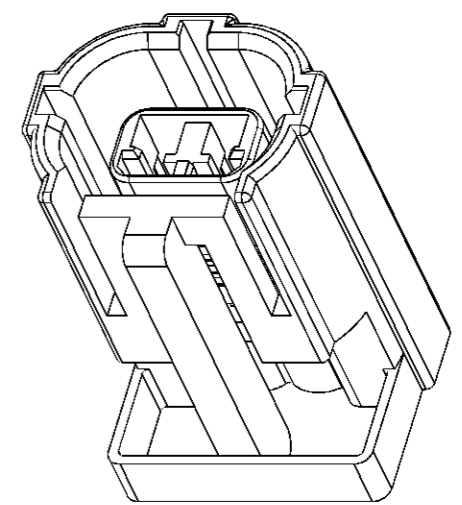
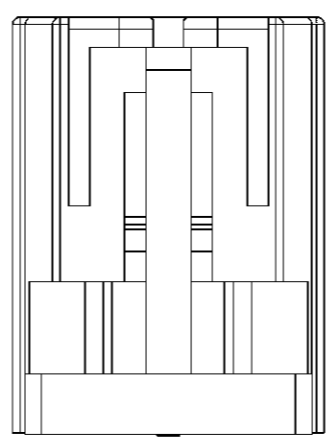
LOC	DIST	REVISIONS			
P	LTR	DESCRIPTION	DATE	DWN	APVD
E	B	L2	REVISED PER ECO-11-005150	28MAR11	RK HMR
		L3	ECR-13-010400	20SEP2013	SK BB



SECTION **A-A**
 SEAL REMOVED FOR CLARITY



CONTROL DIMENSION



SCALE 2:1

2	GREY	NITRILE	173072-2	PERIPHERAL SEAL	1	1-344276-4
1	WHITE	NYLON 66	344275-4	2 WAY REC HSG	1	(WHITE)
2	GREY	NITRILE	173072-2	PERIPHERAL SEAL	1	1-344276-3
1	BLUE	NYLON 66	344275-3	2 WAY REC HSG	1	(BLUE)
2	GREY	NITRILE	173072-2	PERIPHERAL SEAL	1	1-344276-2
1	RED	NYLON 66	344275-2	2 WAY REC HSG	1	(RED)
2	GREY	NITRILE	173072-2	PERIPHERAL SEAL	1	1-344276-1
1	BLACK	NYLON 66	344275-1	2 WAY REC HSG	1	(BLACK)
2	ORANGE	SILICONE	347702-1	PERIPHERAL SEAL	1	344276-4
1	WHITE	NYLON 66	344275-4	2 WAY REC HSG	1	(WHITE)
2	ORANGE	SILICONE	347702-1	PERIPHERAL SEAL	1	344276-3
1	BLUE	NYLON 66	344275-3	2 WAY REC HSG	1	(BLUE)
2	ORANGE	SILICONE	347702-1	PERIPHERAL SEAL	1	344276-2
1	RED	NYLON 66	344275-2	2 WAY REC HSG	1	(RED)
2	ORANGE	SILICONE	347702-1	PERIPHERAL SEAL	1	344276-1
1	BLACK	NYLON 66	344275-1	2 WAY REC HSG	1	(BLACK)
ITEM	COLOUR	MATERIAL	PART NO	DESCRIPTION	Qty	ASSY PT NO

DIMENSIONS:	TOLERANCES UNLESS OTHERWISE SPECIFIED:
mm	0 PLC ±-
	1 PLC ±0.5
	2 PLC ±0.5
	3 PLC ±0.5
	4 PLC ±-
	ANGLES ±2
	FINISH -

DWN	M. GREENER	28JUL2003
CHK	M. HARRIS	28JUL2003
APVD	B. BAKER	28JUL2003
PRODUCT SPEC	-	
APPLICATION SPEC	-	
WEIGHT	-	
CUSTOMER DRAWING		

		TE Connectivity	
NAME			
2 WAY RECEPTACLE HOUSING			
ECONOSEAL 3 LOW CURRENT			
SIZE	CAGE CODE	DRAWING NO	RESTRICTED TO
A3	00779	344276	-
SCALE 2:1		SHEET 1 OF 1	REV L3