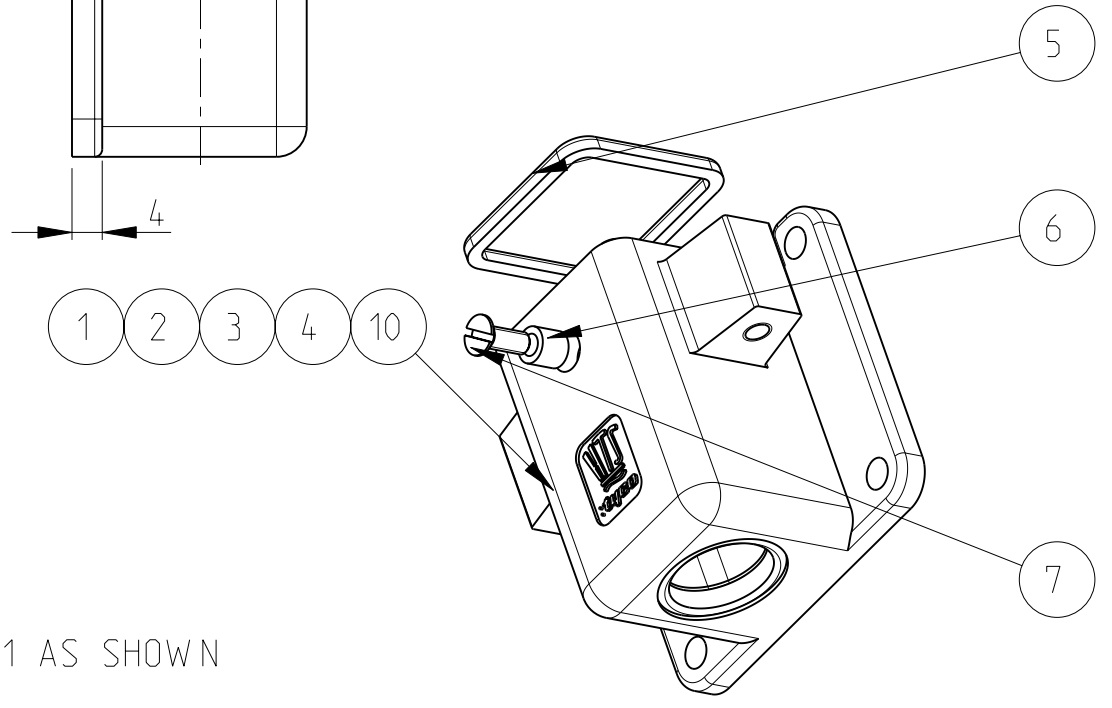
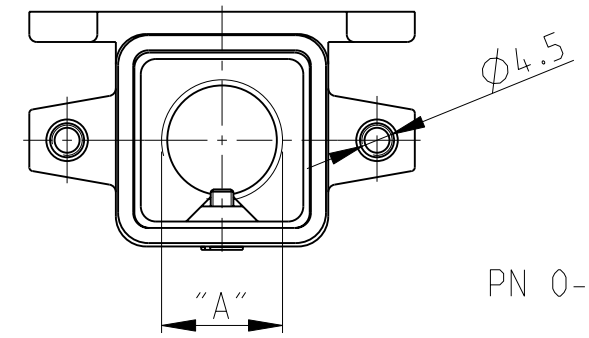
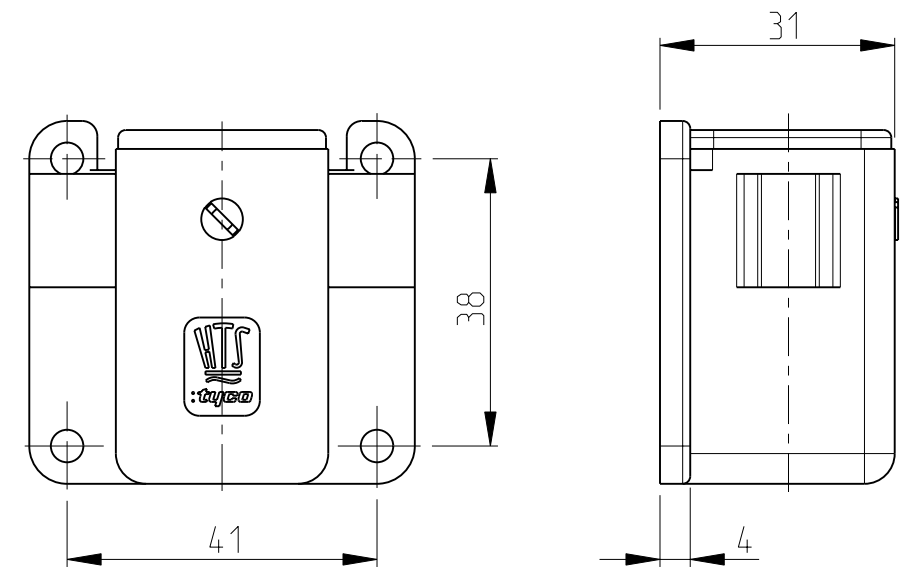


THIS DRAWING IS UNPUBLISHED. RELEASED FOR PUBLICATION 2009
 © COPYRIGHT 2009 BY TYCO ELECTRONICS CORPORATION. ALL RIGHTS RESERVED.

LOC	DIST	REVISIONS				
P	LTR	DESCRIPTION	DATE	DWN	APVD	
A1	-	A5	ECR-09-023155	22OCT2009	VG	AR
		A6	ECR-10-009777	17MAY2010	SR	AR



Notes

- 1 SUITABLE HOUSINGS: SERIES EMV, SIZE 1
CUSTOMER DRAWING 1102700, 1106402, 1106200
- 2 STANDARDS:
DIN EN 61984, DIN EN 60664-1
- 3 SUR TEC 650 CHROMIT AL TCP PASSIVATION
- 4 TOOL:
SLOTTED SCREW DRIVER 4.0x0.8
- 5 VARNISH ON INSIDE AREA NOT NECESSARY
- 6 PACKAGING:
10 SETS IN A CARTON, PRE-MOUNTED

PN 0-1 AS SHOWN

PN/QTY	DESCRIPTION	"A"	MATERIAL	COLOR/SURFACE	NOTE	ITEM
1	ANGLED BULKHEAD HOUSING		ALU	BLACK	SERIES EMV-K WITHOUT LOGO	10
-	GLUE		CYANACRYLAT	BLACK	LOCTITE 480	9
x	GLUE		CYANACRYLAT	NATURAL	LOCTITE 401	8
1	SCREW, SLOTTED COUNTERS. FLAT HEAD		STAINL. STEEL	BLANK	M3x8 DIN EN ISO 2009	7
1	HOSE SECTION		FKM	BLACK	SERIES EMV / HIP Ø3x1x4.5	6
1	PROGFILE SEAL		FKM	BLACK	SERIES EMV / HIP	5
-	ANGLED BULKHEAD HOUSING	M20	ALU	BLACK SEE NOTE 3	SERIES EMV-K	4
1	ANGLED BULKHEAD HOUSING	M20	ALU	GREY	SERIES EMV-K	3
-	ANGLED BULKHEAD HOUSING	M16	ALU	BLACK SEE NOTE 3	SERIES EMV-K	2
-	ANGLED BULKHEAD HOUSING	M16	ALU	GREY	SERIES EMV	1

PARTS LIST (PER ONE UNIT)

0-5	EMV-K.3/4.SG-N
0-4	EMV.3/4.SG.1.M20.G
0-3	EMV-K.3/4.SG.1.M20.G
0-2	EMV-K.3/4.SG.1.M16.G
0-1	EMV.3/4.SG.1.M16.G
PART NO.	ORDERING TEXT

THIS DRAWING IS A CONTROLLED DOCUMENT FOR TYCO ELECTRONICS CORPORATION IT IS SUBJECT TO CHANGE AND THE CONTROLLING ENGINEERING ORGANIZATION SHOULD BE CONTACTED FOR THE LATEST REVISION.

DIMENSIONS: mm

TOLERANCES UNLESS OTHERWISE SPECIFIED:

0 PLC	±-
1 PLC	±-
2 PLC	±-
3 PLC	±-
4 PLC	±-
ANGLES	±1°

MATERIAL: - FINISH: -

DWN V.GLUMM 26AUG2009
 CHK H.Braun 26AUG2009
 APVD T.Schnurpfeil 26AUG2009

Tyco Electronics Tyco Electronics AMP GmbH
 64625 Bensheim (Germany)

NAME: ANGLED BULKHEAD HOUSING ASS'Y SIDE ENTRY, SERIES EMV, SIZE 1

SIZE: A3 CAGE CODE: 00779 DRAWING NO: 1106401 RESTRICTED TO: -

CUSTOMER DRAWING SCALE: 1:1 SHEET: 1 OF 1 REV: A6