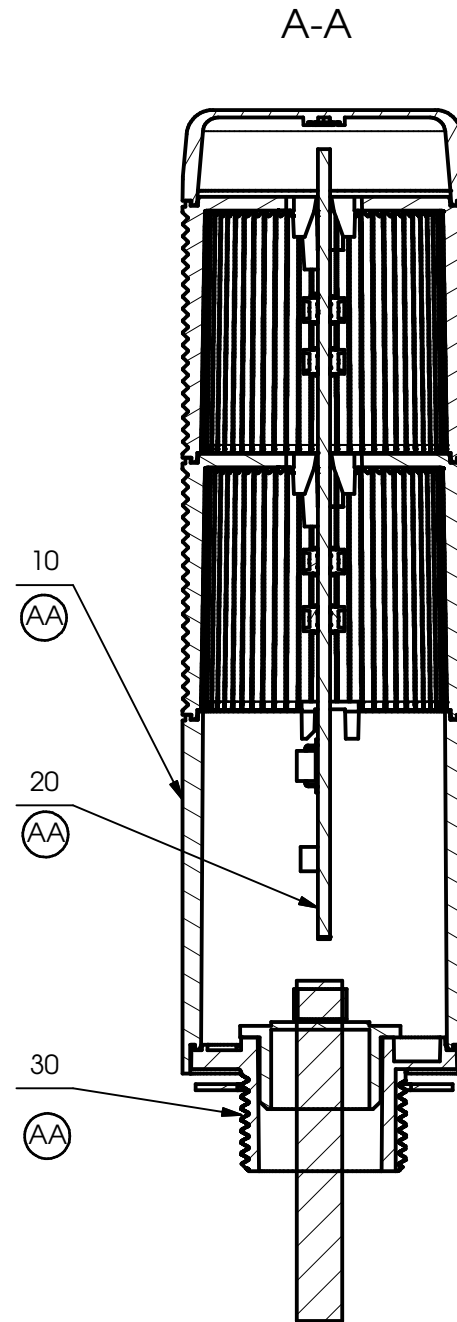
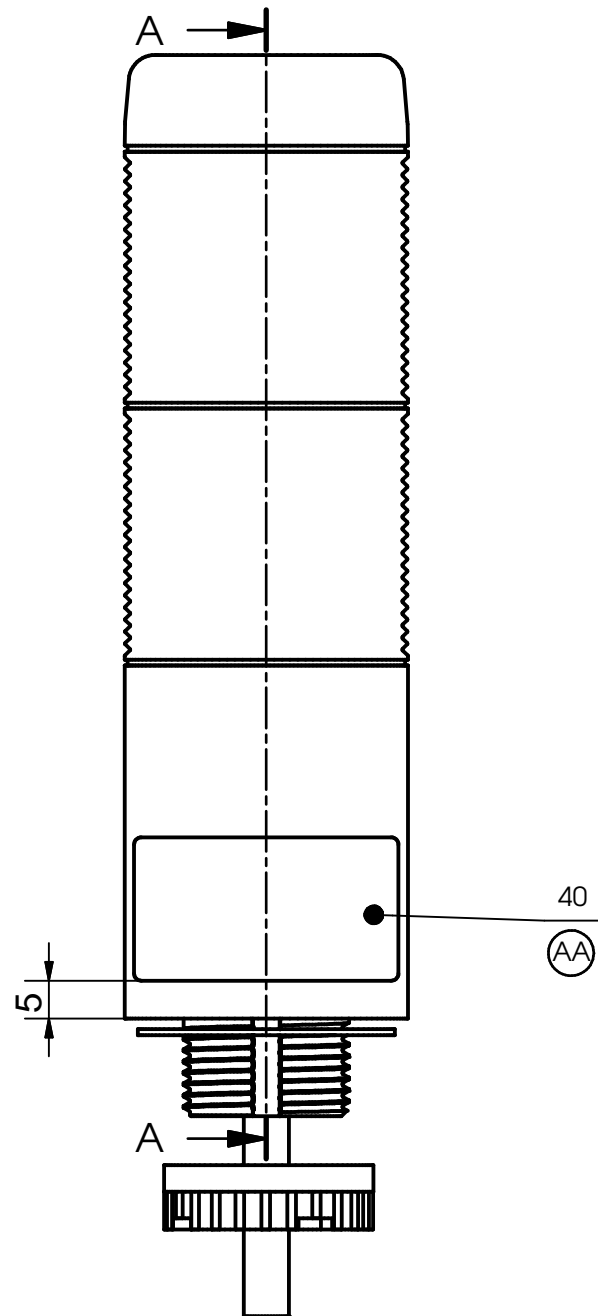
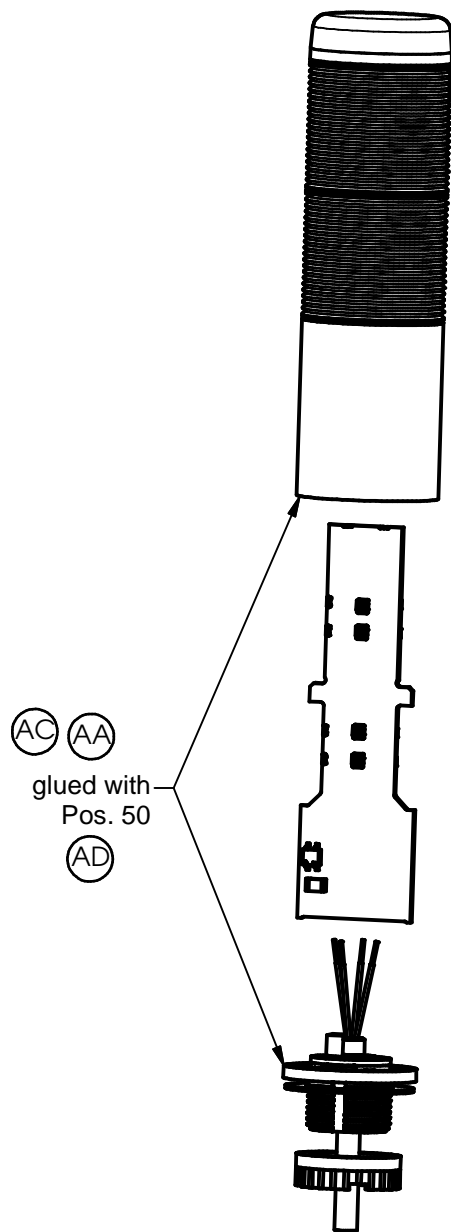


(1/2)



Article	Description	Cable	Plug
698.120.74	K37 cable 12VAC/DC GN/RD	X	
698.120.75	K37 cable 24VAC/DC GN/RD	X	
698.130.74	K37 cable 12VAC/DC YE/RD	X	
698.130.75	K37 cable 24VAC/DC YE/RD	X	
698.220.74	K37 plug 12VAC/DC GN/RD		X
698.220.75	K37 plug 24VAC/DC GN/RD		X
698.230.74	K37 plug 12VAC/DC YE/RD		X
698.230.75	K37 plug 24VAC/DC YE/RD		X
698.320.74	K37CL SR cable 12VAC/DC GN/RD	X	
698.320.75	K37CL SR cable 24VAC/DC GN/RD	X	
698.330.74	K37CL SR cable 12VAC/DC YE/RD	X	
698.330.75	K37CL SR cable 24VAC/DC YE/RD	X	
698.420.74	K37CL SR plug 12VAC/DC GN/RD		X
698.420.75	K37CL SR plug 24VAC/DC GN/RD		X
698.430.74	K37CL SR plug 12VAC/DC YE/RD		X
698.430.75	K37CL SR plug 24VAC/DC YE/RD		X

AA
Pos. 40 type label: printing according 300.698.701

Pos. 900 Packaging
 AC Pos. 905 Blank, only if in BOM defined
 Pos. 910 Packaging-label: printing according 314.000.006
 Pos. 920 Instruction leaflet

Cable, 4-wire			M12-plug, 5-pole			
Terminal	Colour	Function	Terminal	Colour	Function	PIN
M	WH	GND	M	BU	GND	3
A	BN	-	A	GY	-	5
1	GN	tier 1	1	BN	tier 1	1
2	YE	tier 2	2	WH	tier 2	2
			3	BK	-	4

No.	Modification	Date	Name	No.	Modification	Date	Name
AC	4151	21.11.13	MoMa				
AB	4071	12.08.13	MoMa				
AA	4023	21.06.13	MoMa				
-	2872 / neu angelegt	27.10.09	MoMa	AD	4362	08.05.14	MoMa

	Date	Name	Material
Created	25.03.2009	MoMa	
Edited	08.05.2014	MoMa	
Approved	08.05.2014	PB	



Scale 1:1	Kompakt 37 Kompakt37, 2-tier CN	Drawing number	Rev.	Sheet
Original A3		698.020.00	AD	
		Replaced for		
		Replaced by		

The reproduction, transmission or use of this document or its contents is not permitted without express written authority. Offenders will be liable for damages. All rights, including rights created by patent grant or registration of a utility model or design, are reserved.