

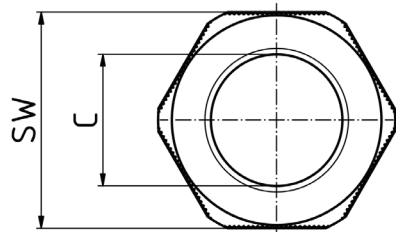
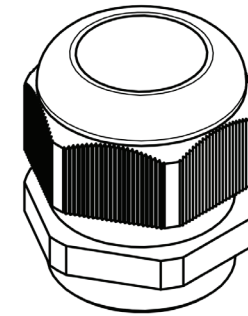
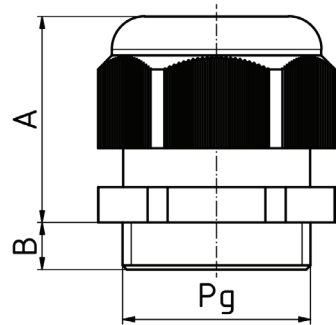
# KVPG21GR

date/contact: 231116/CMA  
finishing: MGR  
last update: -  
drawing: 90265  
unit: mm  
tolerance: -  
page: 1/1

EVE GmbH  
Hollefeldstr. 16  
48282 Emsdetten  
Tel.: +49 (0) 25 72 / 93 51 - 0  
Fax: +49 (0) 25 72 / 93 51 - 24  
www.eve.de • info@eve.de

konform  
**RoHS**  
compliant

**eve**  
GmbH  
ELEKTRONIK DISTRIBUTION



Pg	A	B	SW	C
Pg 7	24	8	15	3 - 6,5 mm
Pg 9	28	8	19	4 - 8 mm
Pg 11	29	8	22	5 - 10 mm
Pg 13,5	29	9	24	6 - 12 mm
Pg 16	33	9	27	10 - 14 mm
Pg 21	38	11	33	13 - 18 mm
Pg 29	41	11	42	18 - 25 mm