

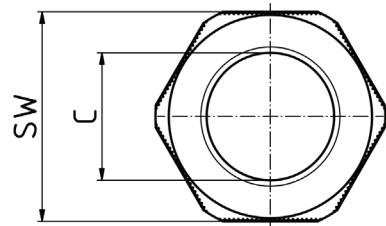
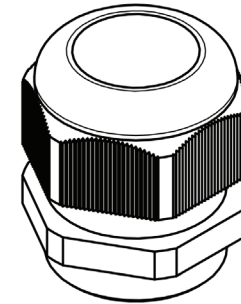
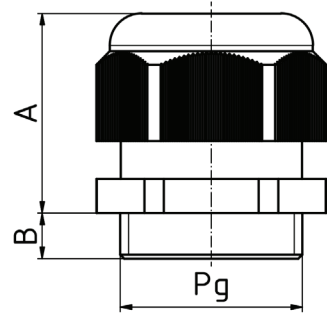
KVPG9GR

date/contact: 231116/CMA
finishing: MGR
last update: -
drawing: 90265
unit: mm
tolerance: -
page: 1/1

EVE GmbH
Hollefeldstr. 16
48282 Emsdetten
Tel.: +49 (0) 25 72 / 93 51 - 0
Fax: +49 (0) 25 72 / 93 51 - 24
www.eve.de • info@eve.de

konform
RoHS
compliant

eve
GmbH
ELEKTRONIK DISTRIBUTION



Pg	A	B	SW	C
Pg 7	24	8	15	3 - 6,5 mm
Pg 9	28	8	19	4 - 8 mm
Pg 11	29	8	22	5 - 10 mm
Pg 13,5	29	9	24	6 - 12 mm
Pg 16	33	9	27	10 - 14 mm
Pg 21	38	11	33	13 - 18 mm
Pg 29	41	11	42	18 - 25 mm