

**DIGITAL WIRELESS BACK-UP CAMERA SYSTEM  
DIGITALES KABELLOSES RÜCKFAHRKAMERA-  
SYSTEM**

**SYSTEME DE CAMERA DE REcul SANS FIL  
NUMERIQUE**

**DIGITALE DRAADLOOS CAMERASYSTEEM**

with 10,9cm / 4.3" monitor

mit 10,9cm / 4,3" Monitor

avec écran 10,9cm / 4,3"

met 10,9cm / 4,3" monitor

**DRC4340**



**PROUSER®**

## INTRODUCTION

The Pro-User DRC4340 is a member of the family of advanced car back-up systems manufactured by Pro User International Ltd.

The Pro-User Digital Back-up Camera and Monitor with built in transmitter box, when used as described, will improve your ability to see behind your car, camper, trailer, or mini-van. We have taken numerous measures in quality control to ensure that your product arrives in top condition, and will perform to your satisfaction.

**Please carefully read and follow the following safety and operating instructions.**

## IMPORTANT SAFETY INSTRUCTIONS

### Before You Install

If you are not confident working with 12V/24V DC vehicle wiring, removing and reinstalling interior panels, carpeting, dashboards or other components of your vehicle, contact the vehicle's manufacturer, or consider having the camera system professionally installed.

### Innovation :NO Interference

This device is free from interferences coming from Bluetooth, cell phones, Wi-Fi routers, power lines and other various electrical equipment.

### Repair

The camera system should not be opened. Any attempt at modification or repair by the user will entail the loss of your guarantee.

## PARTS

1. Monitor and mounting Arm



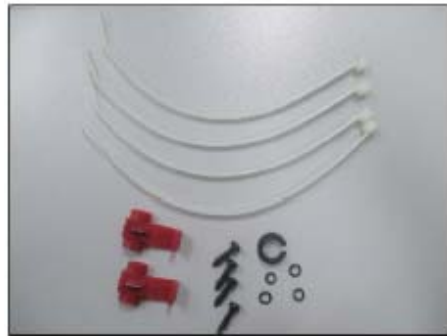
2. Camera with mounting plate



3. Metal bracket



4. Mounting Accessories



5. Monitor Power Cable



## INSTALLATION

**These instructions do not apply to all vehicles. They are only meant as a general guide due to the number of different makes & models. For vehicle specific questions contact your vehicle's manufacturer.**

### Camera installation

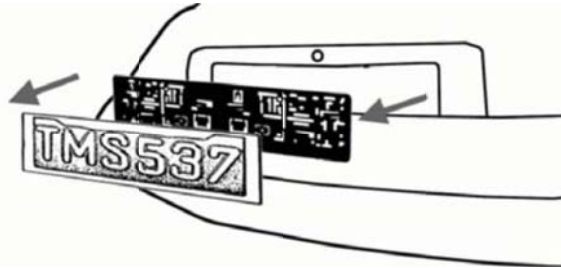
There are several ways to mount the camera on the back of your car. But the most convenient is to mount it near the license plate. Supplied is one mounting plate that can be fixed behind the license plate, and the mounting plate have been installed in the camera.

The camera itself is screwed on the mounting plate. The camera is tiltable, camera angle can be adjusted manually on vertical direction. Make sure that its field of view and detection are not obstructed.

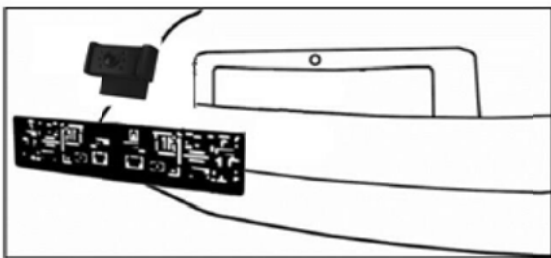


## Bracket for Numberplate

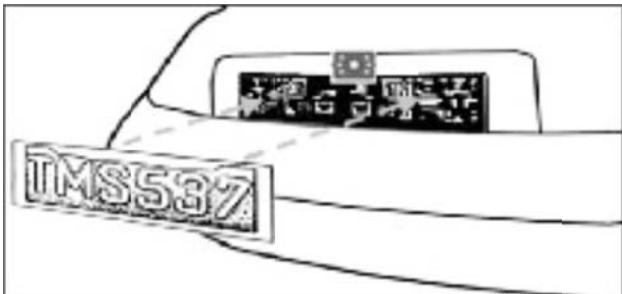
A1. Remove the rear license plate, and then loosen the license plate bolts/screws.



A2. Position the supplied mounting plates (with camera together) behind the license plate bracket. Secure both license plate bracket and mounting plates with the license plate bracket bolts/screws.



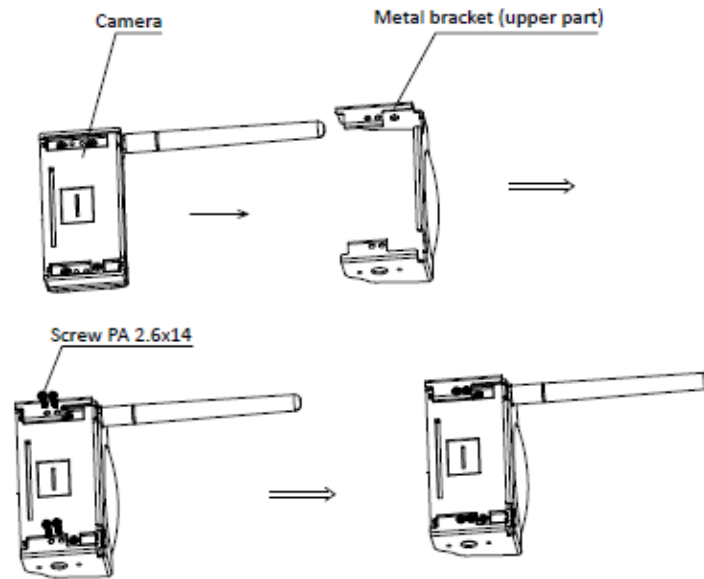
A3. Mount the license plate on the license plate bracket.



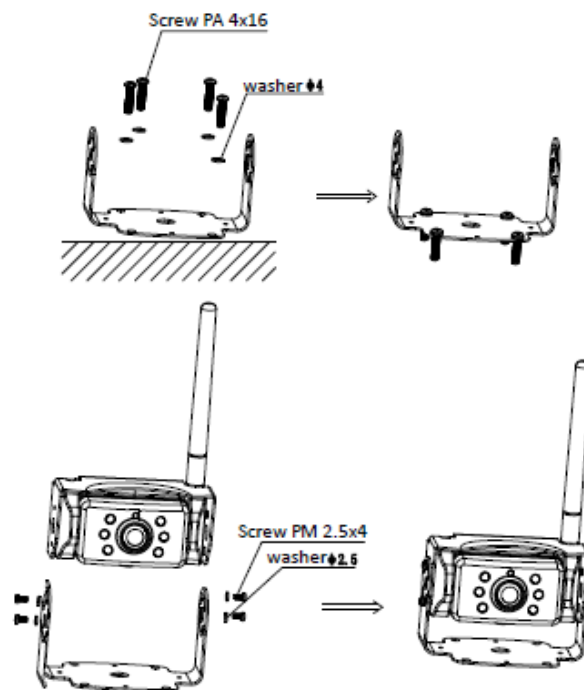
With some type of cars it is not possible to mount the camera near the license plate. You may have to find another spot at the back of your car to mount it.

## Metal bracket for plain surfaces

B1. Disassembling camera from bracket 1, then install the camera to the Metal bracket (upper parts) with 4 pcs screws (PA 2.6x1.4) as below:



B2. Installing the second part of metal bracket to cars, then assembling the two parts of metal bracket as below:

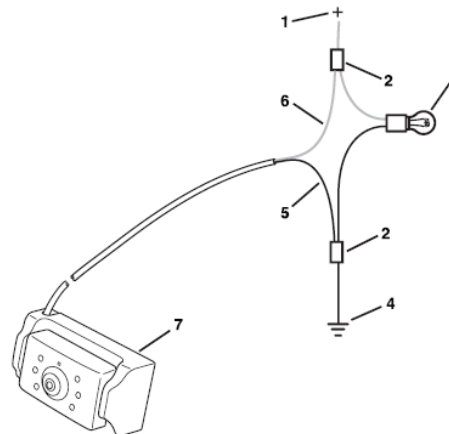


After choosing camera model A or B please go ahead with the following installation steps:

1. Choose a routing path for the camera's power cable through the vehicle's body to the reverse light circuit. If in doubt, seek professional installation assistance.
2. Some vehicles may have a hole available to pass the wire through, such as where the license plate light is mounted, or you can drill a hole close to where the power cable is attached to the camera. Once you have chosen where the cable will enter the vehicle's body, remove the camera. If you are able to use an existing opening, skip

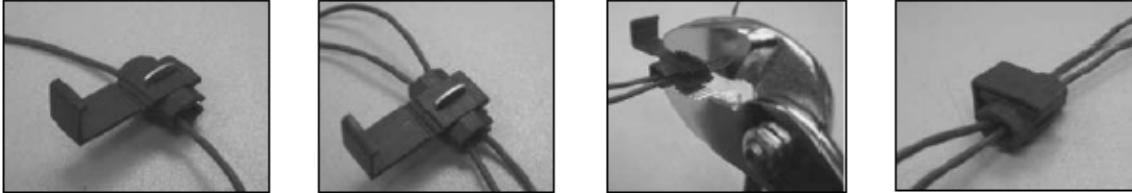
the next two steps.

3. Before you drill a hole you **MUST CHECK** and see **WHAT IS BEHIND WHERE YOU ARE DRILLING**. If there are any vehicle components, such as electrical parts or fuel system components behind where you are drilling, you must take whatever precaution is necessary not to damage them. Remove the license plate and camera before drilling.
4. After you have drilled the hole, insert the supplied grommet, then pass the camera cables through the grommet into the vehicle. You must use the grommet to prevent the metal edge of the hole from cutting the camera cable.
5. Next you'll need to find the vehicle's reverse lights. Turn the vehicle's ignition key to the accessory position, engage the parking brake and put the car in reverse. Look at the vehicle's tail lights to see where the reverse lights are located, they are the white lights. To locate the reverse light's 12V/24V + wire it will be necessary to gain access to the rear of the vehicle's tail light. For help locating the vehicle's reverse light circuit contact your vehicle's manufacturer for vehicle specific wiring diagrams.
6. Once you have located the reverse light circuit you will have to route the camera cable to that location. You must securely fasten the power cable to prevent it from being caught on any vehicle component such as the trunk hinge. Never route the cable on the outside of the vehicle!
7. The reverse light sockets on most vehicles have two wires connected to them. Usually the negative wire is black and the positive wire is a colored wire. If you are uncertain about the wiring, you can use a 12V/24V multimeter available at most auto parts stores to determine which is the positive wire. Follow the manufacturer's instructions for the safe use of the multimeter.



- 1 = Positive (+)
- 2 = Connector
- 3 = Lamp
- 4 = Negative (-)
- 5 = Camera Negative (-)
- 6 = Camera Positive (+)
- 7 = Camera

8. After determining which wire is the positive and which is the negative, turn off the ignition key, then remove the battery's negative cable.
9. Splice the red wire using the supplied in-line wire connectors to the reverse light's Positive (+) wire. Use a set of slip joint pliers to squeeze the TAP and insure good Connection.

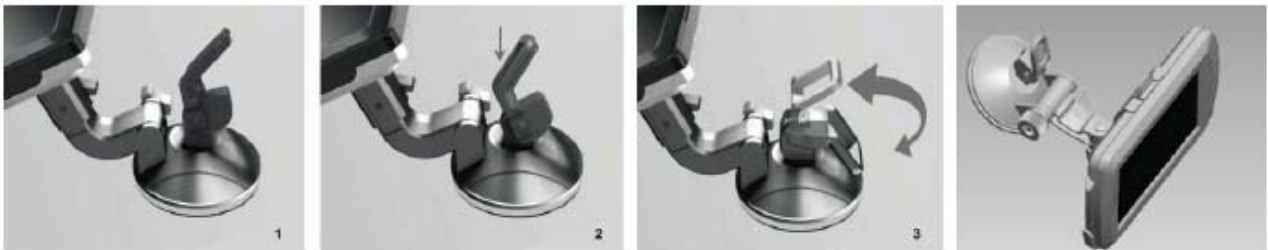


10. Next splice the black wire of the camera power cable to the reverse light's negative (-) wire or ground.
11. Replace the reverse light bulb, and then re-install the light socket. Secure all the wires with cable ties or electrical tape.
12. Re-attach the negative battery cable to the battery.

### **Monitor Installation**

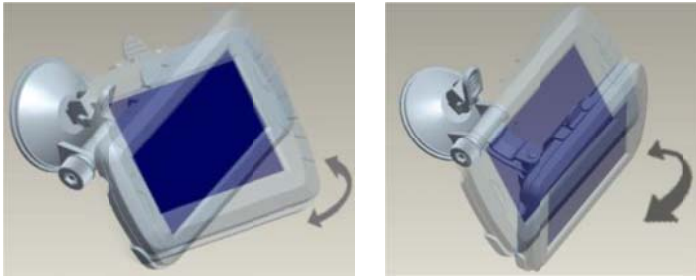
When choosing a location to mount the monitor, make sure the monitor is in an area that will not obstruct your vision while driving.

1. Before mounting the monitor, clean the mounting surface well.
2. Position the suction mount to the smooth surface which suits your requirement.
3. Press the suction cap against the smooth surface and press the lock down to attach and fix the mount to the surface.



Snap in the monitor to the suction mount.

4. Adjust the mounting arms to suit your view angle to the monitor and tighten the screws on the mount to fix the position.



5. Route the power cable to the vehicle's cigarette lighter socket 12V/24V power outlet. The cable must not interfere with the safe operation of the vehicle.
6. Insert the small 12V/24V DC plug of the power cable into the right side of the monitor.
7. Plug the 12V/24V cigarette lighter plug into the vehicle's cigarette lighter socket. To maximize the effectiveness of the suction mount, it is recommended that the application be performed under the following conditions:
  - Surface temperature should be between 21 and 38 degrees Celsius.
  - Application below 10 degrees should be avoided.
  - Application should not occur in direct sunlight.

Mounting should be protected from exposure to direct sunlight for a period of 24 hours.

**NOTE:** UNDER EXTREME BRIGHT LIGHT CONDITIONS, THE SCREEN IMAGE MAY TAKE A FEW SECONDS TO STABILIZE. PLEASE WAIT UNTIL THE IMAGE HAS STABILIZED BEFORE BACKING UP.

### **System testing**

1. Reattach the vehicle's negative battery cable.
2. Turn the ignition key to the accessory position, do not start the vehicle.
3. Engage the parking brake, and then put the shifter in the reverse position.
4. After testing the unit and you are satisfied with the route you have chosen for the cabling, you must permanently install it.
5. Route all wires behind interior panels or under carpeting so they are hidden. Use supplied cable ties to neatly gather any excess wire.



## OPERATION

Operation and signal instructions of the product (Describe the steps and instructions in details, including error description)

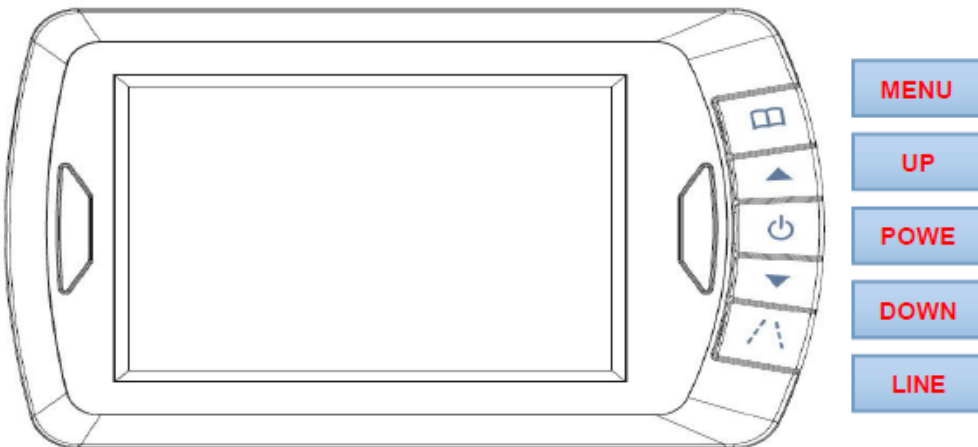
### 1. Power supply

Power of the receiver is supplied with socket of car-borne cigarette lighter 12V or DC24V DC.

### 2. Operation of Receiver:

- a. After power is on, the blue indicator is on and the receiver enters working state automatically.
- b. If there is no signal, LCD of the receiver turns off automatically, and blue LED indicator flashes; when there is any signal, the image is displayed, and the LED is on.
- c. Description of receiver buttons.

The buttons include Menu/Return, Up/Channel Selection, Power/Confirm, Down, and Guideline, as shown in the figure below:



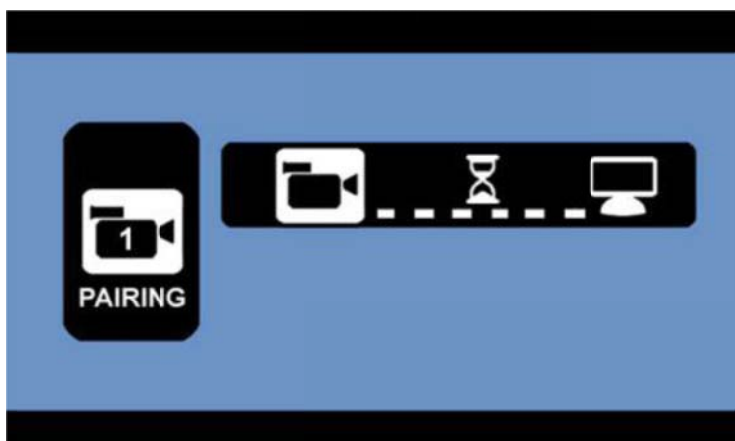
Menu	Press to show OSD or return to the previous menu
Up	Select forward in OSD operation
Power	Confirm or enter in OSD operation , Press and turn off/on when there is no OSD
Down	Select backward in OSD operation
Line	Guideline display selection

### 3. Pairing

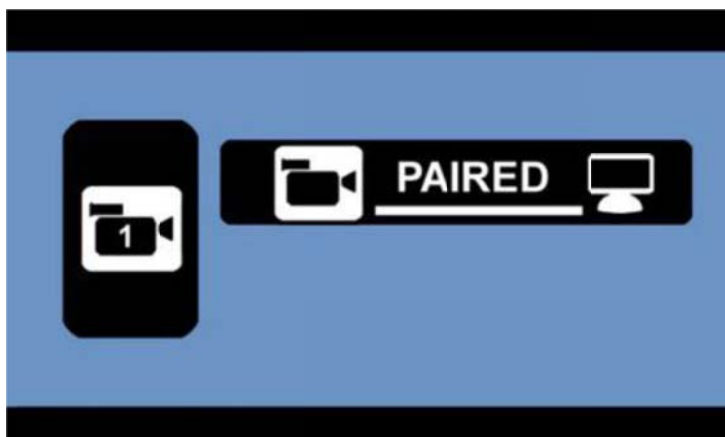
Press MENU button to enter main menu, and press Confirm key to enter pairing interface.



Press Confirm key to enter pairing state, when PAIRING appears.

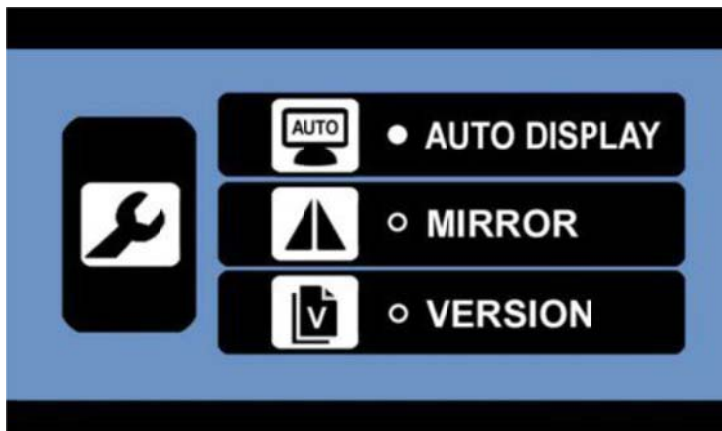


At this time please press the button at the camera in order to pair the camera with the monitor. After pairing is successful, there will be show PAIRED as following picture.



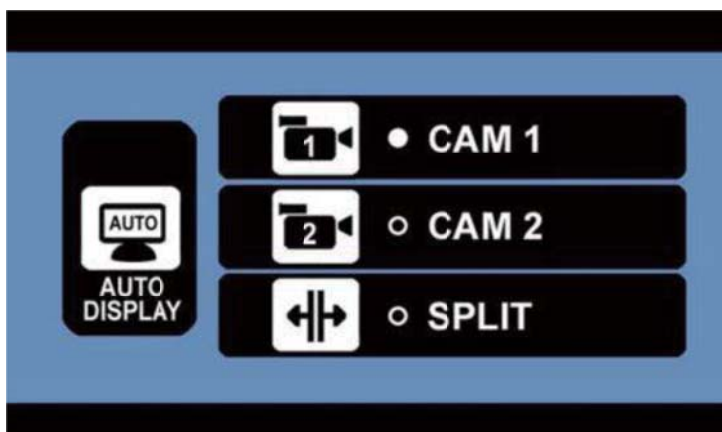
## 4. SETUP

Press UP or Down button to select “ SETUP” to enter below screen.



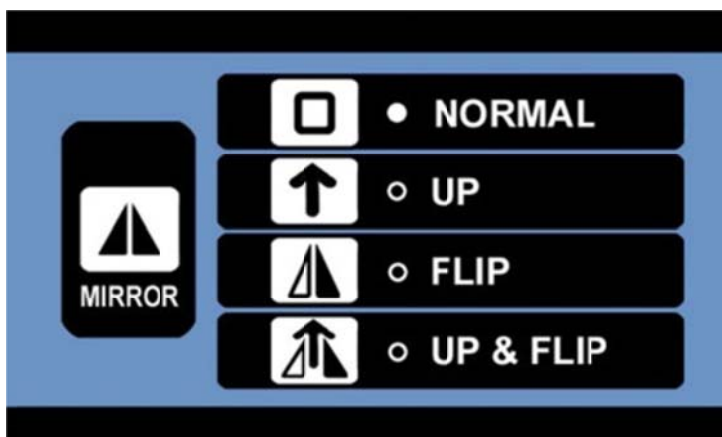
### 4.1. AUTO DISPLAY

Press confirm key to select the camera CAM1、CAM2、 or SPLIT.



### 4.2. MIRROR

Select MIRROR to enter below theme, NORMAL/UP/FLIP/UP&FLIP, Then Press confirm Key.



### 4.3. Version

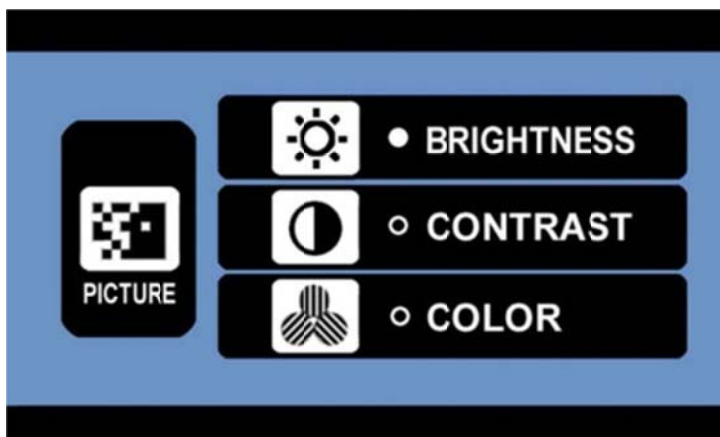
Select VERSION, Press Confirm Key to enter and view software version information of the receiver and transmitter.

In view VERSION information screen, Press the “UP” key for 5s to clear paired channels.  
Please use this function carefully, two paired channels will be cleared at the same time, and  
Need to re-code after clearing.



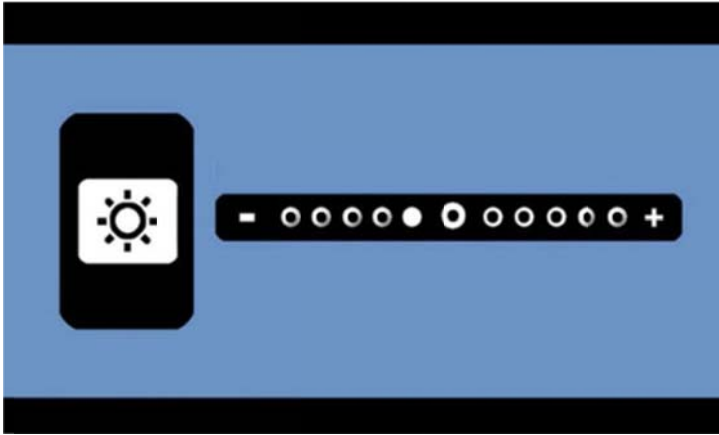
### 4.4. PICTURE

PICTURE: Press Confirm key to enter brightness, contrast and color selection.



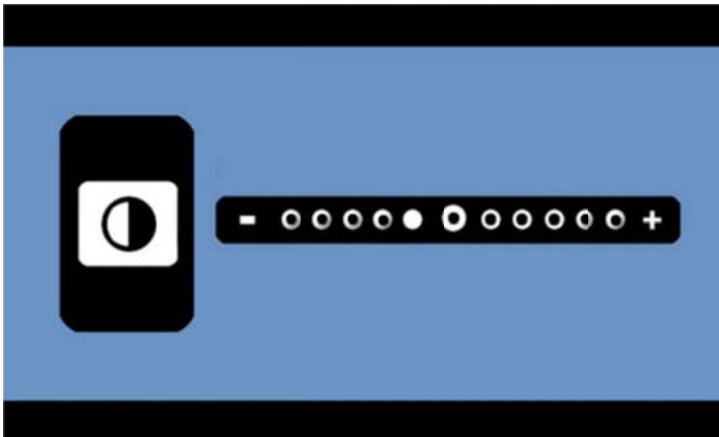
### 4.5. BRIGHTNESS setting

Select icon of brightness, Press Confirm key to enter, and press Up or Down key to select an Appropriate display effect.



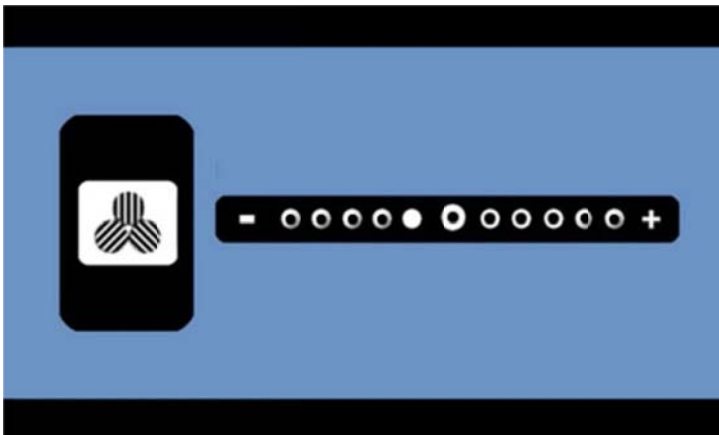
#### 4.6. CONTRAST setting

Select icon of contrast, press Confirm key to enter, and press Up and Down key to select an Appropriate display effect.



#### 4.7. COLOR setting

Select icon of color, press Confirm key to enter, press Up and Down key to select an appropriate Display effect.



#### **4.8. Other operation.**

4.8.1. Press "Up" Key to enter Auto display when there is no OSO.

4.8.2. Press "DOWN" to select CAM1/CAM2/CAM1&CAM2 when there is no OSO.

#### **5. Camera transmitter operation :**

5.1. The camera transmitter is installed in the rear side of the car when it is used for backing, please connect to power supply of taillights; if it is installed in the car for door monitoring, it can be connected to power supply of interior lights, or other 8V-30V DC power supply systems. When it is connected to power cord in parallel, be cautious that red wire is +, and black wire is -. Prevent from short circuit and take insulation measures, for electrical short circuit may result in fire or other serious consequences. Camera transmitter features anti-reversing connection, and the device won't be damaged in the event of reverse connection.

5.2. When it is used for the first time, be sure to pair with the receiver. Select CAM1 or CAM2 channel for the receiver, press Confirm key to enter pairing mode, and then press PAIR key within 30S, wait for pairing to be completed, ensure that wireless signal isn't interfered with in the pairing process, and icon of PAIRED will be displayed on the receiver after pairing is successful.

If the pairing isn't completed in time, it will return to the previous state. For an installed device, the pairing requires two persons for operation.

5.3. One camera transmitter can only be paired with one channel. The receiver has two channels, which can be paired with one camera transmitter separately or with two camera transmitters simultaneously to form dual channel and meet different monitoring requirements.

5.4. The paired camera transmitter can trigger the receiver to work automatically after power is on, display the screen, and delay of the screen is less than 1 second.

5.5. The camera transmitter has function of infrared night view. If it is too dark at night, the infrared LED is automatically turned on to supplement light.

Caution: The LED light will emit faint red light when it is turned on. Do not stare at the light for a long time. Otherwise. Your eyes may be injured.

#### **6. Installation of the product**

6.1. The holder is mounted in the receiving host.

6.2. The receiver and holder assembly are installed on the car console or windshield.

- 6.3. Connect one end of power cord of the receiver to the host and plug the other end directly into the socket of car-borne cigarette lighter.
- 6.4. The transmitter can be mounted on rear of the car for car backing monitoring, or in the car where it can be fixed securely.

## TECHNICAL SPECIFICATIONS

<b>Camera</b>	
Operating Voltage	8-30V DC
Current consumption	< 350mA
Image sensor	CMOS
No. of pixel	720x480
Optical lens	F2.1mm / F2.0
Transmission frequency	2.4 GHz (ISM band)
RF transmission distance (open space)	50m
<b>LCD monitor</b>	
Operation Voltage	8-30V DC
Standby Current	≤200mA
Operation Current	<250mA
LCD display screen size	10.9cm / 4.3 inch
Resolution	480x272
Operation temperature	-10 to +50 degree Celsius

This product is allowed to be operated in the EU countries

## ENVIRONMENTAL PROTECTION



Waste electrical products should not be disposed of with household waste. Please recycle where facilities exist. Check with your local authority or retailer for recycling advice.

## WARRANTY

Pro-User warrants this product for a period of 2 years from the date of purchase to the original purchaser. Warranty is not transferable. Warranty covers defect against workmanship and materials only. To obtain warranty service, please return the unit to the place of purchase or authorized Pro-User dealer together with your proof of purchase. The warranty is void if the product has been damaged or not used as described in this manual. Warranty is void if a non-authorized repair has been performed. Pro-User makes no other warranty expressed or implied. Pro-User is only responsible for repair or replacement (at Pro-Users' Discretion) of the defective product and is not responsible for any consequential damage or inconvenience caused by the defect.



## EINLEITUNG

Der Artikel Pro-User DRC4340 gehört zur Familie der zukunftsweisenden Auto-Rückfahr-Kamera-Systeme der Firma Pro-User.

Die digitale kabellose Pro-User Rückfahrkamera mit Monitor ermöglicht es Ihnen, hinter Ihr Auto, Ihren Anhänger oder Mini-Van zu sehen. Es wurden zahlreiche Maßnahmen bei der Qualitätskontrolle ergriffen, um Ihnen ein hochwertiges Produkt zu Ihrer Zufriedenheit zu liefern.

**Bitte lesen Sie die Bedienungsanleitung sorgfältig durch und folgen Sie den Sicherheitshinweisen und der Montageanleitung.**

## WICHTIGE SICHERHEITSHINWEISE

### Vor der Montage

Falls Sie sich nicht sicher fühlen, dieses System an die 12V/24V Stromversorgung Ihres Fahrzeuges selbstständig zu montieren (bohren von Löchern, abnehmen von Verkleidungen etc.) nehmen Sie Kontakt zu Ihrem Autohaus oder zur Kfz-Werkstatt Ihres Vertrauens auf. Dort können Sie eine professionelle Montage des Systems in Auftrag geben.

### Störungssignale

Durch die digitale Übertragungstechnik wird dieses Kamera-System nicht von Störsignalen wie z.B. von Handys, Bluetooth, Navigationssysteme und anderen elektrischen Geräten beeinflusst.

### Reparatur

Dieses Kamera-System darf nicht geöffnet werden! Bei jeglichem Versuch einer Reparatur erlischt die Garantie.

## ZUBEHÖR

1. Monitor mit Befestigungsarm



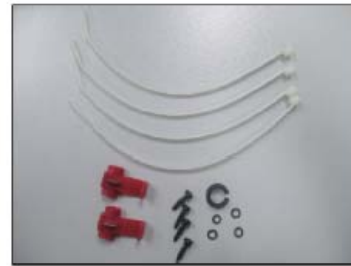
2. Kamera mit Befestigungsplatte



### 3. Metall-Halterung (zusätzlich)



### 4. Installationszubehör



### 5. Stromkabel für Monitor



## MONTAGE

**Diese Bedienungsanleitung ist nicht für alle Fahrzeuge anzuwenden. Sie ist ein genereller Leitfaden für die meisten Fahrzeuge. Bei fahrzeugspezifischen Fragen wenden Sie sich bitte an Ihren Fahrzeughersteller.**

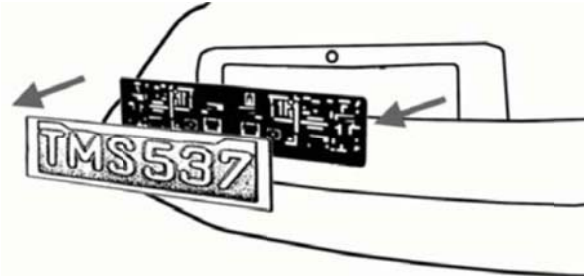
### Montage der Kamera

Es gibt verschiedene Möglichkeiten, die Kamera an der Rückseite Ihres Fahrzeuges zu befestigen. Die Gebräuchlichste ist, die Kamera nahe dem Nummernschild zu befestigen. Sie können die mitgelieferte Montageplatte hinter dem Nummernschild befestigen. Auf diese Montageplatte wird die Kamera in einem weiteren Schritt befestigt. Die Kamera ist vertikal schwenkbar, bitte stellen Sie diese nach den Gegebenheiten ein.

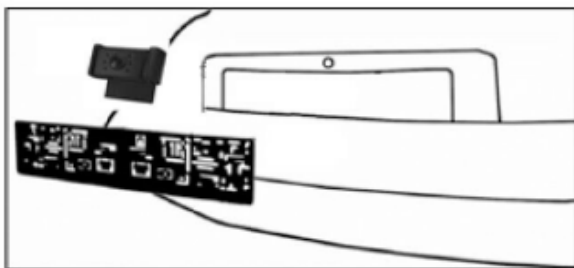


A1. Nehmen Sie das Nummernschild aus der Halterung, lösen Sie danach die Schrauben des

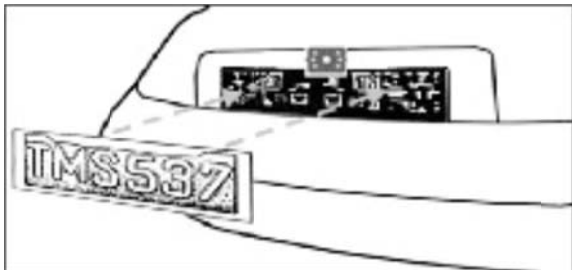
Nummernschildhalters und nehmen Sie diesen ab.



A2. Positionieren Sie die Befestigungsplatte mit der Kamera hinter dem Nummernschildhalter und befestigen Sie die Befestigungsplatte und den Nummernschildhalter am Fahrzeug.

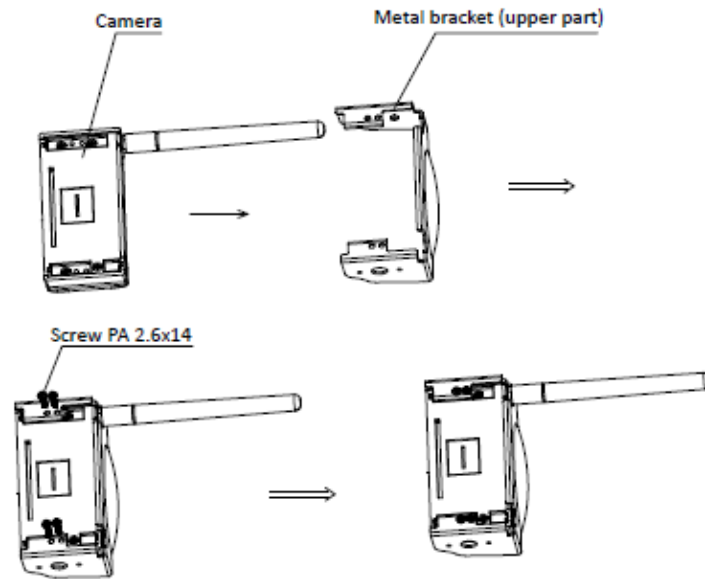


A3. Befestigen Sie nun Ihr Nummernschild wieder auf dem Nummernschildhalter.

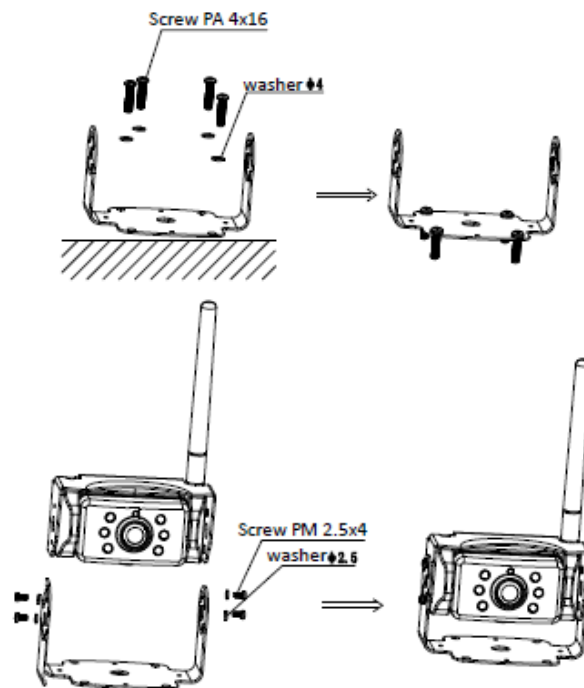


Bei manchen Fahrzeugen ist es leider nicht möglich, die Kamera nahe dem Nummernschild zu befestigen. Suchen Sie sich eine andere Stelle am Heck Ihres Autos und befestigen Sie die Kamera mit den mitgelieferten Schrauben und Muttern bzw. der Metall-Halterung.

B1. Schrauben Sie die Kamera von der Nummernschildhalterung zunächst ab und befestigen Sie diese dann an der oberen Metallhalterung (upper part) wie auf den Bildern unten:



B2. Befestigen Sie dann den unteren Teil der Halterung an Ihrem Fahrzeug und befestigen Sie dann den oberen Teil der Halterung mitsamt der Kamera an der Haltevorrichtung analog den Bildern unten.

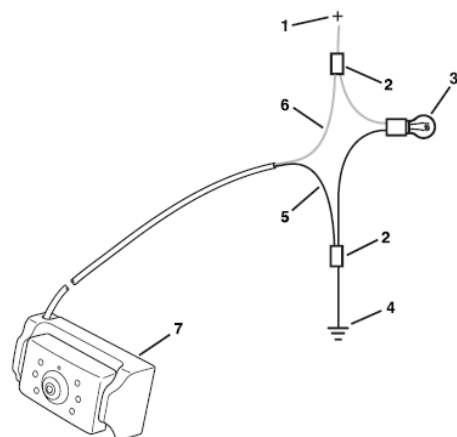


Danach folgt die Verkabelung an das Fahrzeug:

1. Wählen Sie jetzt eine Stelle, wo Sie das Elektrokabel der Kamera durch die Karosserie Ihres Autos zum Stromkabel des Rückfahrlichtes ziehen können.
2. Einige Autos haben in der Nähe des Kennzeichens eine Bohrung, wo Sie das Kabel durchziehen können. Falls das nicht der Fall ist, müssen Sie in der Nähe des

Kennzeichens, dicht an der Stelle, wo sich das Kabel der Kamera befindet, selber ein Loch bohren. Wenn Sie den Platz für das Bohrloch festgelegt haben können Sie die Kamera und das Kennzeichen wieder demontieren. Wenn Sie eine vorhandene Öffnung benutzen, können Sie die zwei folgenden Schritte überspringen.

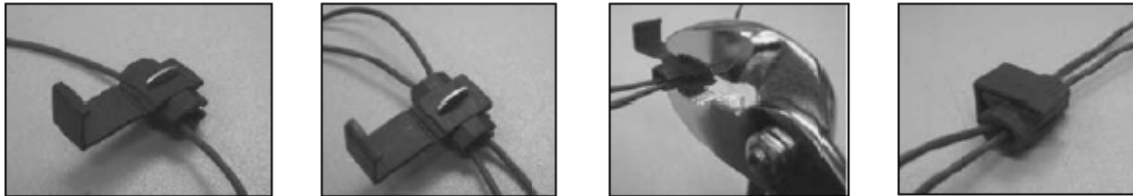
3. Bevor Sie bohren, demontieren Sie die Kamera und das Nummernschild. **PRÜFEN SIE, BEVOR SIE BOHREN, WAS SICH AUF DER RÜCKSEITE DER STELLE BEFINDET, WO SIE BOHREN WOLLEN!** Sorgen Sie z.B. dafür, dass sich dort keine Elektrokabel, Flüssigkeitstanks oder Leitungen befinden. Beachten Sie alle Vorsichtsmaßnahmen!
4. Nachdem Sie gebohrt haben, befestigen Sie den mitgelieferten Kantenschutz in der Bohrung, um das Kabel vor den scharfen Rändern des Bohrloches zu schützen. Dann ziehen Sie das Kabel der Kamera ins Fahrzeuginnere.
5. Schalten Sie die Zündung Ihres Autos an (nicht starten!), ziehen Sie die Handbremse an und legen Sie den Rückwärtsgang ein. Dann schauen Sie am Heck Ihres Autos, wo sich der Rückfahrcheinwerfer befindet. Um die Kabel vom Rückfahrcheinwerfer zu entsprechenden Kabel orten. Ggf. suchen Sie hierzu Ihr Autohaus oder die Kfz-Werkstatt Ihres Vertrauens auf.
6. Wenn Sie die entsprechenden Kabel gefunden haben, legen Sie das Kabel der Kamera an den Verbindungspunkt. Sorgen Sie bitte dafür, dass die Befestigung des Kabels sicher und fest ist, damit es beim Öffnen und Schließen der Heckklappe nicht beschädigt werden kann. Verlegen Sie das Kabel niemals außerhalb des Autos!
7. An der Kontaktdose des Rückfahrcheinwerfers sind zwei Drähte befestigt. Meistens ist der negative Draht schwarz und der positive farbig. Wenn Sie unsicher sind, können Sie mit einem 12V/24V Multimeter (im Fachhandel erhältlich) prüfen, welcher Draht positiv bzw. negativ ist. Folgen Sie der Bedienungsanleitung des Multimeters für den sicheren Gebrauch.



- 1 = Positiv (+) von Rückfahrlicht
- 2 = Kabelverbindungsstück
- 3 = Rückfahrleuchte
- 4 = Negativ (-) von Rückfahrlicht
- 5 = Kamera Negative (-) (Schwarz)
- 6 = Kamera Positive (+) (farbig)
- 7 = Kamera

8. Wenn Sie festgestellt haben, welcher Draht positiv bzw. negativ ist, schalten Sie die Zündung aus und entfernen Sie das negative Kabel Ihrer Autobatterie. So ist sichergestellt, dass kein Strom auf den Drähten ist.

- Verbinden Sie den roten Draht vom Kabel der Kamera mit dem positiven Draht des Rückfahrscheinwerfers. Benutzen Sie dazu die beiliegenden Kabelklemmen. Drücken Sie die Klemmen fest mit einer Zange zusammen und legen Sie die rote Plastikabdeckung über diese Kontaktstellen.



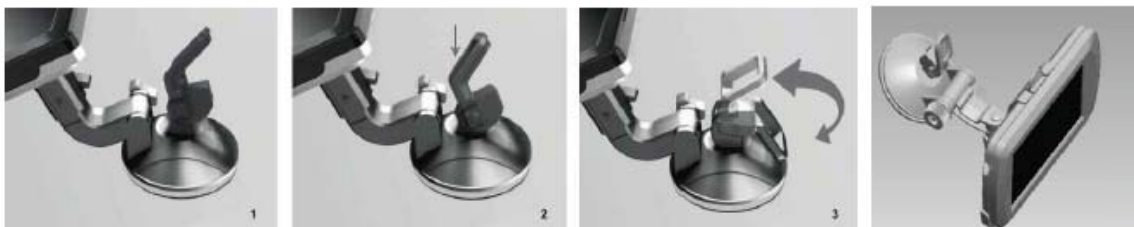
- Verbinden Sie nun den schwarzen Draht des Kamera-Kabels mit dem negativen Draht des Rückfahrscheinwerfers. (Benutzen Sie auch hier die Kabelklemmen)
- Verschließen Sie die Heckleuchte wieder (achten Sie darauf, dass die Glühlampe eingesetzt ist). Benutzen Sie Kabelbinder und spezielle Tapes (für Kabelverbindungen), damit alle Drähte und Kabel sicher und fest verlegt sind!
- Schließen Sie das negative Kabel Ihrer Autobatterie wieder an.

### Montage des Monitors

**Wenn Sie den passenden Platz zur Befestigung des Monitors gefunden haben, vergewissern Sie sich, dass Ihnen nicht die Sicht versperrt wird während der Fahrt.**

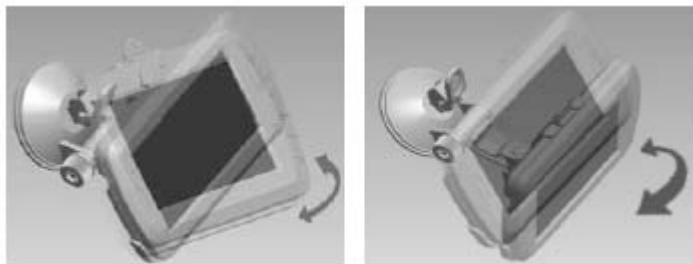


- Reinigen Sie die Stelle gründlich vor der Befestigung
- Positionieren Sie den Sauger auf der von Ihnen gewählten Fläche
- Pressen Sie den Sauger fest auf die gereinigte Oberfläche und legen Sie den Hebel um damit der Sauger sicher und festsitzt.



- Schieben Sie den Monitor in die am Sauger befindliche Halterung.
- Drehen Sie den Arm der Halterung und richten Sie den Bildschirm in die gewünschte

Position aus. Drehen Sie nun die Schrauben an.



6. Legen Sie das Netzkabel zum Zigarettenanzünder. Verlegen Sie das Kabel so, das es zu keinen Einschränkungen oder Behinderungen während der Fahrt kommen kann.
7. Stecken Sie den kleinen 12V/24V Stecker von dem Netzkabel in die Öffnung auf der rechten Seite vom Monitor.
8. Den anderen Stecker des Kabels stecken Sie in den Zigarettenanzünder.
9. Um den festen Halt des Saugers zu gewährleisten wird der Gebrauch nur unter Einhaltung folgender Voraussetzungen empfohlen:
  - Die Temperatur der Oberfläche sollte zwischen 21 und 38 Grad Celsius liegen.
  - Der Gebrauch unter 10 Grad Celsius sollte vermieden werden.
  - Der Gebrauch bei direkter Sonneneinstrahlung sollte vermieden werden.

Die Befestigung sollte vor direkter Sonneneinstrahlung geschützt werden.

**ACHTUNG: BEI EXTREM HELLEN LICHTVERHÄLTNISSEN BENÖTIGT DER MONITOR EINIGE SEKUNDEN UM SICH DIESEN LICHTVERHÄLTNISSEN ANZUPASSEN. WARTEN SIE BITTE MIT DEM RÜCKWÄRTS FAHREN BIS SICH DAS BILD STABILISIERT HAT.**

### System Test

1. Prüfen Sie, ob Sie das negative Kabel der Autobatterie wieder befestigt haben.
2. Schalten Sie die Zündung Ihres Autos an (bitte nicht starten)
3. Ziehen Sie die Handbremse an und legen Sie den Rückwärtsgang ein.
4. Nachdem Sie den Test zur Zufriedenheit beendet haben verlegen Sie alle noch frei liegenden Kabel.
5. Verlegen Sie nun alle Kabel hinter den Fahrzeugverkleidungen oder unter den Fahrzeugteppichen, so dass sie nicht mehr sichtbar sind. Gebrauchen Sie die
6. beiliegenden Kabelbinder um die Kabel ordentlich zusammen zu binden.

## BEDIENUNG

Bitte koppeln Sie die Kamera mit dem Monitor vor der ersten Verwendung wie unten beschrieben.

### 1. Stromversorgung

Bitte stecken Sie den Adapter in die Zigarettenanzuenderdose und das Gegenstück in den Monitor. Das System ist für 12V und 24V ausgelegt.

### 2. Bedienung des Monitors

a. Drücken Sie Power Taste um den Monitor mit Strom zu versorgen. Eine blaue LED leuchtet auf und der Monitor schaltet sich automatisch an. Wenn ein Signal empfangen (nach erfolgreicher Kopplung, siehe unten) wird wird das Bild auf dem Bildschirm angezeigt und die LED leuchtet blau.

b. Wenn der Monitor kein Eingangssignal empfängt schaltet sich der Bildschirm automatisch aus und die blaue LED fängt zu blinken an.

c. wenn der Monitor ausgeschaltet ist wird kein Bild angezeigt und die blaue LED ist aus.

Folgende Taster sind am Monitor angebracht:

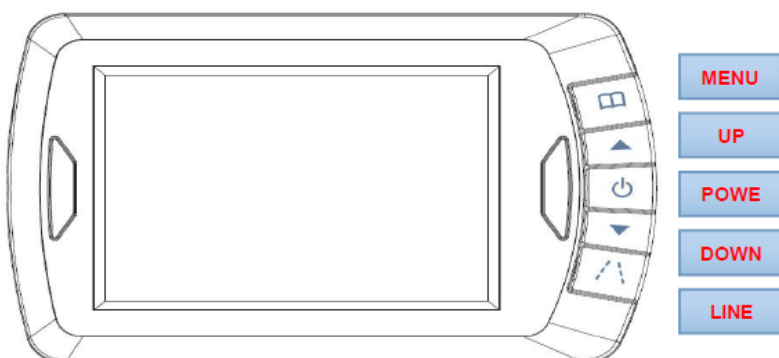
Menu (auch Return Taste)

Up / Hoch (auch Kanalwahlschalter)

Power (auch Bestätigungsschalter)

Down / Runter

Line Guidelines / Hilfslinien



Menu	Drücken um Menü anzuzeigen oder zu dem vorherigen Menüpunkt zurück zu kehren.
Up	Drücken Sie diese Taste um vorwärts bzw aufwärts zu kommen
Power	Ein und Ausschalten und Bestätigungsschalter im Menümodus
Down	Drücken Sie diese Taste um rückwärts bzw abwärts zu kommen
Line	Schaltet die Hilfslinien im Display ein und aus

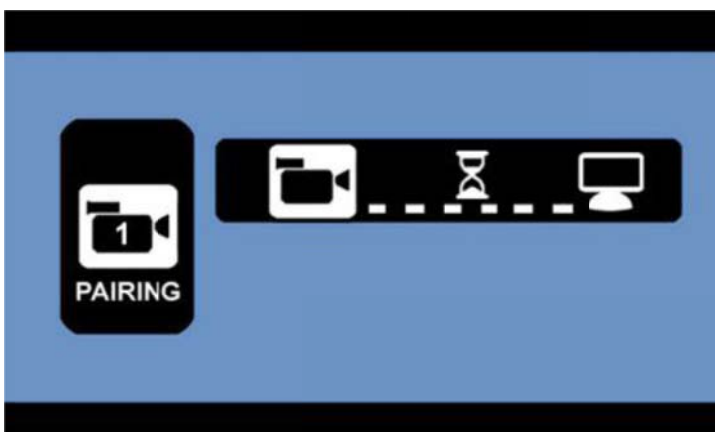


### 3. Kopplung

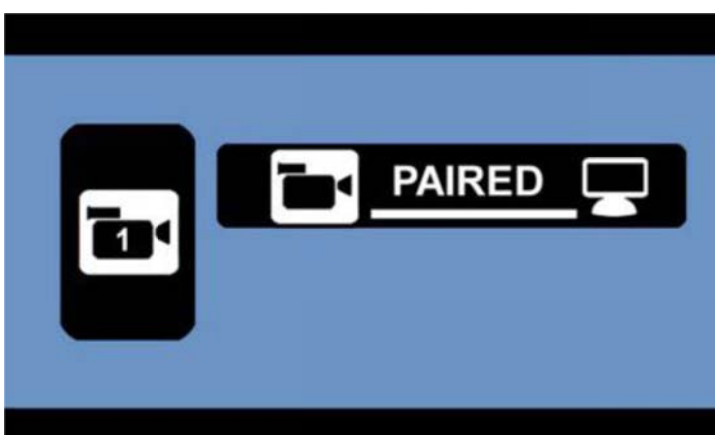
Drücken Sie die MENU Taste und wählen Sie dort den Punkt "Pairing" aus. Bestätigen Sie diese Auswahl bitte mit der "Power" Taste.



Folgendes Bild erscheint:



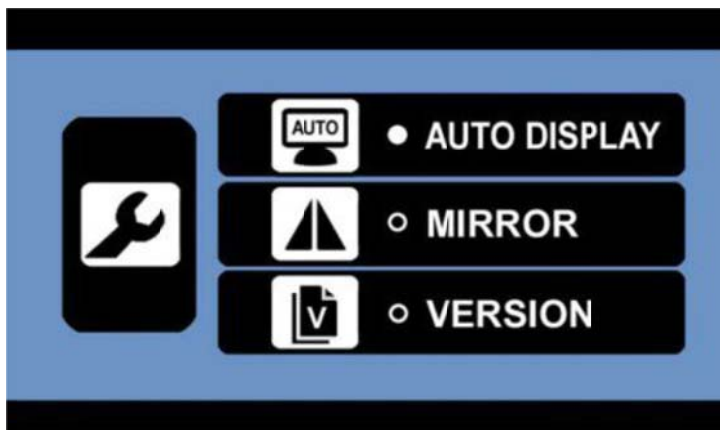
Bitte drücken Sie kurz danach den kleinen Plastikknopf auf der Unterseite der Kamera solange, bis sich die Kamera und der Monitor verbunden haben und das Bild unten auf dem Monitor erscheint.



Zukünftig erkennen sich die Kamera und der Monitor automatisch und eine manuelle Kopplung ist nicht mehr notwendig.

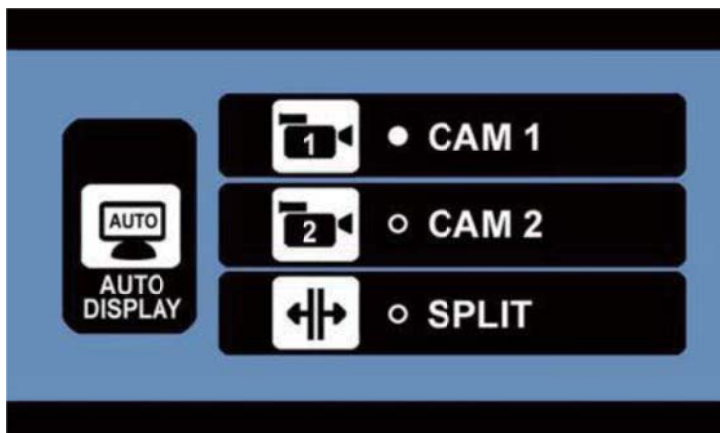
## 4. SETUP

Drücken Sie "UP" oder "Down" Tasten um in das "SETUP" Menu zu gelangen.



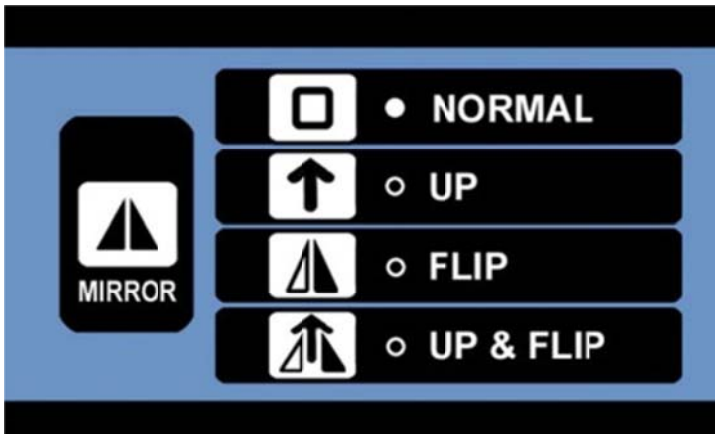
### 4.1. AUTO DISPLAY

Im Untermenü AUTO DISPLAY können Sie einstellen, ob Sie Kamera 1, Kamera 2 oder einen geteilten Bildschirm standardmässig darstellen möchten. Sie haben mit den "UP" und "DOWN" Tasten später jederzeit die Möglichkeit die gewählte Kameraauswahl zu verändern.



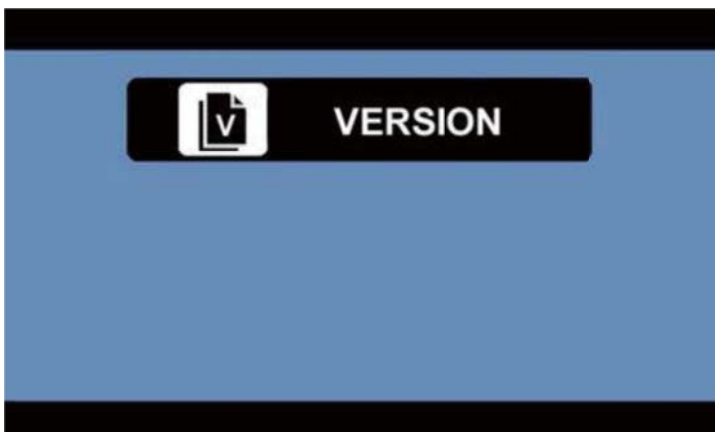
### 4.2. MIRROR

Im Untermenü "Mirror" können Sie einstellen, ob das Bild normal, umgedreht, spiegelverkehrt oder umgedreht und spiegelverkehrt dargestellt werden soll. Wählen Sie dazu die gewünschte Einstellung und bestätigen Sie dies mit dem "Power" Schalter.



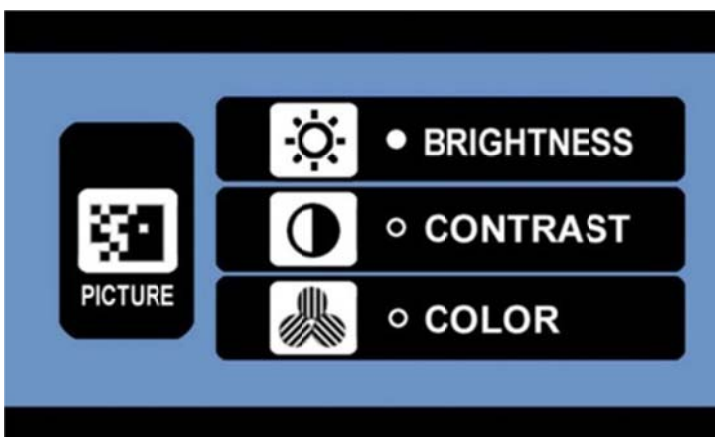
#### 4.3. Version

Im Untermenü "Version" können Sie die aktuelle Softwareversion der Kamera und des Monitors nachschauen. Hier haben Sie auch die Möglichkeit alle gekoppelten Kameras zu löschen, indem Sie den "UP" Schalter für 5 Sekunden gedrückt halten. Sie müssen danach Kameras neu koppeln um wieder ein Bild zu haben.



#### 4.4. PICTURE

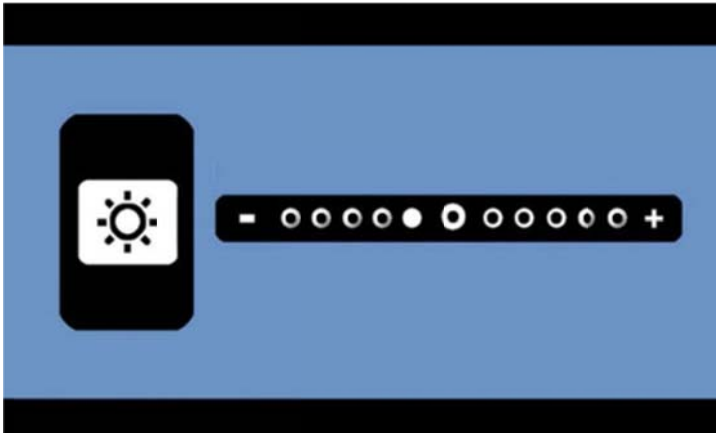
Im Untermenü "PICTURE" haben Sie folgende Auswahl:



Wählen Sie die gewünschte Einstellung aus und bestätigen Sie dies bitte mit der "Power" Taste.

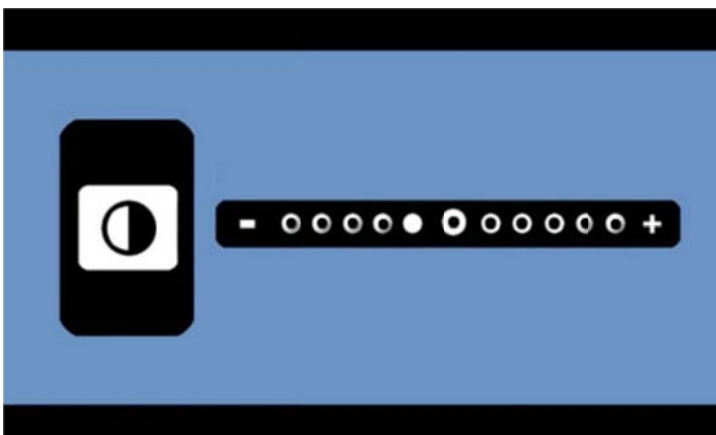
#### 4.4.1. BRIGHTNESS setting

Wählen Sie mit den Pfeiltasten die gewünschte Helligkeit aus, bestätigen Sie die Wahl mit der Power-Taste.



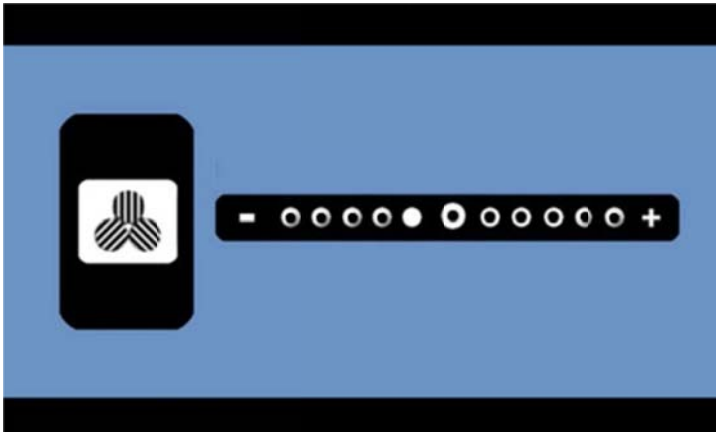
#### 4.4.2. CONTRAST setting

Wählen Sie mit den Pfeiltasten den gewünschten Kontrast aus, bestätigen Sie die Wahl mit der Power-Taste.



#### 4.4.3. COLOR setting

Wählen Sie mit den Pfeiltasten die gewünschte Farbstärke aus, bestätigen Sie die Wahl mit der Power-Taste.



#### 4.4.4. Weitere Bedienung des Monitors

- Wenn das Menü geschlossen ist und Sie "Up" drücken wird das Auto display aktiviert.
- Wenn das Menü geschlossen ist und Sie "DOWN" drücken können Sie zwischen CAM1/CAM2/CAM1&CAM2 umschalten.

#### 5. Umgang mit der Kamera/Übertragungsmodul:

- 5.1. Bitte schließen Sie die Kamera wie oben beschrieben an das Rückfahrlicht an, damit sich die Kamera automatisch einschaltet wenn Sie rückwärts fahren. Wenn Sie Kamera zur ständigen Überwachung z.B. Ihrer Ladung oder Nutztiere benutzen wollen, schließen Sie die Kamera bitte an das Innenlicht oder eine andere 8-30V Spannungsversorgung Ihres Fahrzeuges oder Anhänger an. Bitte achten Sie unbedingt darauf, dass der rote Draht mit Plus + und der schwarze Draht mit Minus – verbunden wird. Vertauschen Sie dies bitte nicht, da es sonst zu einem Kurzschluß, Feuer oder anderen gefährlichen Situationen kommen kann. Die Kamera selbst ist mit einem Schutz ausgestattet und eine Verpolung beeinträchtigt die Kamera nicht,
- 5.2. Beim ersten Benutzen des Systems achten Sie bitte darauf, dass Sie die Kameras mit dem Monitor koppeln. Wählen Sie dazu wie oben beschrieben den "Pairing" Modus aus, wählen Sie CAM1 oder CAM2 und drücken Sie dann innerhalb von 30 Sekunden den kleinen Knopf an der Kamera solange bis die Kopplung abgeschlossen ist.
- 5.3. Die gekoppelten Kameras schalten den Monitor in weniger als einer Sekunde ein nach dem Sie durch das Rückfahrlicht oder eine andere Quelle unter Spannung gesetzt wurden.
- 5.4. Die Kamera ist für eine gute Sicht bei Nacht mit Infrarot LEDs ausgestattet. Diese schalten sich automatisch bei Dunkelheit hinzu.

Achtung: Bitte schauen Sie nicht zu lange in die LEDs hinein, da es sonst zu Verletzungen der Augen kommen könnte.

## TECHNISCHE SPEZIFIKATION

<b>Kamera</b>	
Betriebsspannung	8-30V DC
Stromaufnahme	< 350mA
Bildsensor	CMOS
Auflösung	720x480
Linsenoptik	F2.1mm / F2.0
Übertragungsfrequenz frequency	2.4 GHz (ISM band)
Übertragungsdistanz (frei)	50m
<b>LCD Monitor</b>	
Betriebsspannung	8-30V DC
Standby Stromaufnahme	≤200mA
Betriebsstromaufnahme	<250mA
LCD Monitor Diagonale	10.9cm / 4.3 inch
Auflösung des Bildschirms	480x272
Zul. Temperaturbereich bei Gebrauch	-10 bis +45 Grad Celsius

Dieses Produkt darf in den Ländern der EU betrieben werden.



**R&TTE**  
approved



## UMWELTSCHUTZ



Unbrauchbare oder defekte elektronische Produkte dürfen nicht mit dem Hausmüll entsorgt werden. Bitte entsorgen Sie diese Geräte an den dafür vorgesehenen Entsorgungsstellen oder fragen Sie Ihren Fachhändler.

## GARANTIE

Pro User gewährt eine Garantie von 2 Jahren ab Kaufdatum. Die Garantie ist nicht übertragbar. Garantie wird gewährt auf Verarbeitungsmängel und Materialschäden. In Garantiefällen senden Sie bitte das Gerät mit dem Kaufbeleg an Ihren Händler. Die Garantie erlischt, wenn das Gerät beschädigt wurde, wenn Bedienungsfehler vorliegen oder bei unfachmännischer Reparatur durch nicht autorisierte Personen. Bei anerkannter Garantie wird Pro User das Gerät reparieren oder Ersatz leisten. Pro User ist nicht verantwortlich zu machen für Folgeschäden oder sonstige Unannehmlichkeiten.

## INTRODUCTION

Le Pro-User DRC4340 fait partie de la gamme de cameras de recules sans fils de dernières génération fabriqués par Pro User International Ltd.

Félicitations! La caméra de recul numérique Pro-User améliorera considérablement votre vue vers l'arrière de votre voiture, camping-car, caravane ou remorque, si vous l'utilisez comme décrit ci-dessous. Nous avons testé sérieusement ce système pour être sûr que vous pourrez vous en servir sans problèmes et que vous serez entièrement satisfait de son fonctionnement.

**S'il vous plait, veuillez lire attentivement cette notice et suivre les instruction.**

## IMPORTANT - CONSIGNES DE SECURITE

### Avant l'installation

Si vous ne vous sentez pas capable d'intervenir sur le circuit électrique 12/24 volt DC d'une voiture, de démonter et remonter les panneaux intérieurs, la moquette, le tableau de bord ou d'autres pièces de votre voiture, on vous conseille de prendre contact avec votre concessionnaire, votre garage ou centre auto pour faire installer ce système de façon professionnelle par une personne qualifié.

### Interférence

**Ce système sans fil, le Pro-User ne pourra pas être troublé dans son fonctionnement par des portables, des casques bluetooth, des systèmes GPS, des câbles électrique, routeur WiFi ou par d'autres appareils électriques.**

### Réparation

La camera et le moniteur ne doivent jamais être ouvert. Autrement l'utilisateur perd la garantie.

## CONTENU

### 1. Moniteur et bras de fixation



### 2. Camera avec plaque de fixation



### 3. Fixation métallique (supplémentaire)



### 4. Accessoires de fixation



### 5. Câble d'alimentation



## INSTALLATION

**C'est instructions d'installation ne s'appliquent pas à tous les véhicules mais à la majorité. Sur certains véhicules il n'est pas possible de fixer la caméra sur la plaque d'immatriculation. Dans ce cas contacter votre concessionnaire ou votre garagiste afin de trouver un autre endroit approprié.**

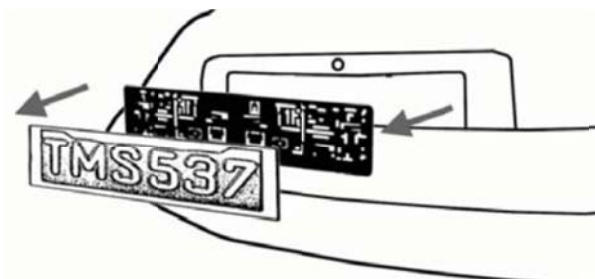
### Camera installation

Il y'a différentes manières de fixer la camera de recul. La plus pratique étant à proximité de la plaque d'immatriculation du véhicule. Nous fournissons 1 plaque de montage qui se fixe derrière la plaque d'immatriculation. La caméra de recul peut se fixer sur ces plaques de montages. La caméra est inclinable, l'angle de vue peut donc être ajusté manuellement verticalement. Assurez-vous que le champ de vue de la camera est libre.

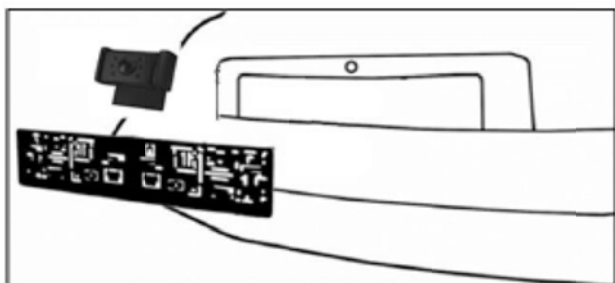




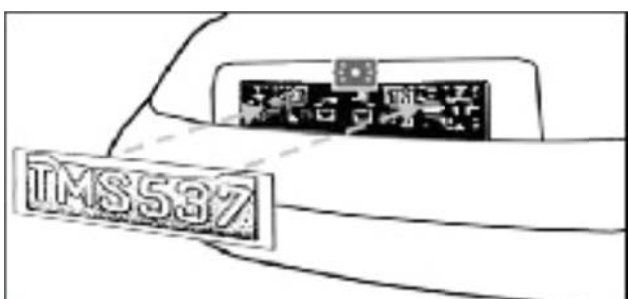
A1: Enlevez la plaque d'immatriculation (et porte plaque) en la dévissant ou en enlevant les rivets.



A2: Placez la plaque de montage (avec la caméra) derrière la plaque d'immatriculation puis fixez les solidement avec la plaque d'immatriculation. Par vis ou rivets.

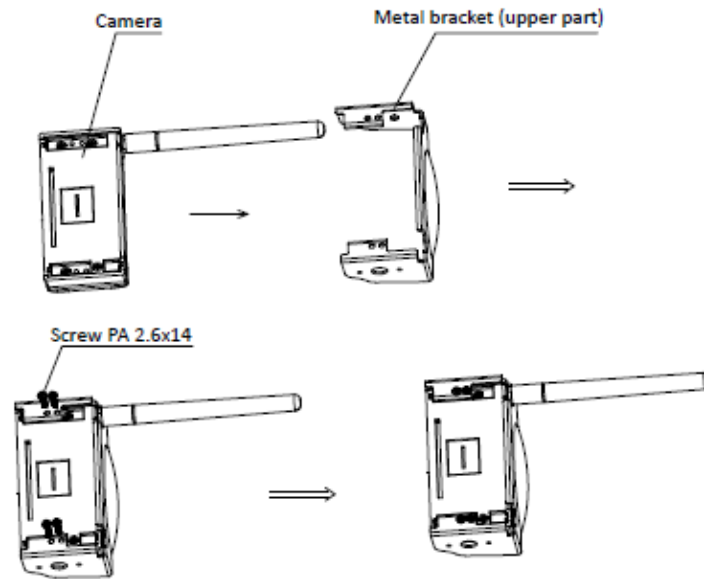


A3: Fixer la plaque d'immatriculation sur le support de plaque.

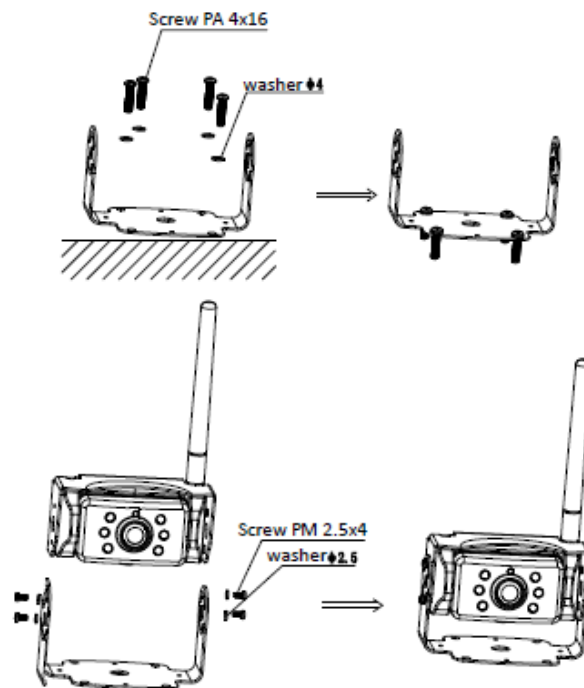


Sur certains véhicules il n'est pas possible de fixer la caméra à l'aide des plaques de montages fournies. Alors il vous faut trouver un autre endroit à l'arrière du véhicule pour fixer la caméra.

B1. Dévisser la camera de sa grille de fixation pour plaque d'immatriculation afin de pouvoir fixer la sur la partie supérieure du support métallique, come indique sur le visuel ci-dessous.



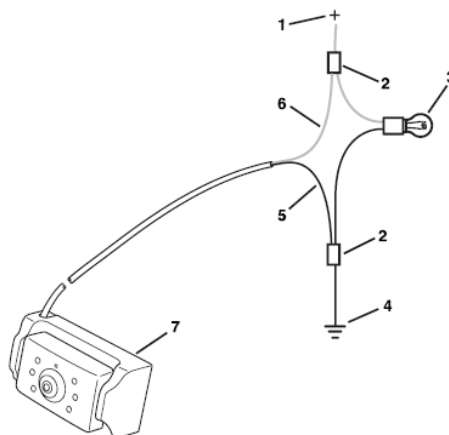
B2. Fixer la partie inférieure de la fixation sur le véhicule, puis la partie supérieure avec caméra sur le support (voir visuels ci-dessous)



Ensuite effectuer les branchements comme suit:

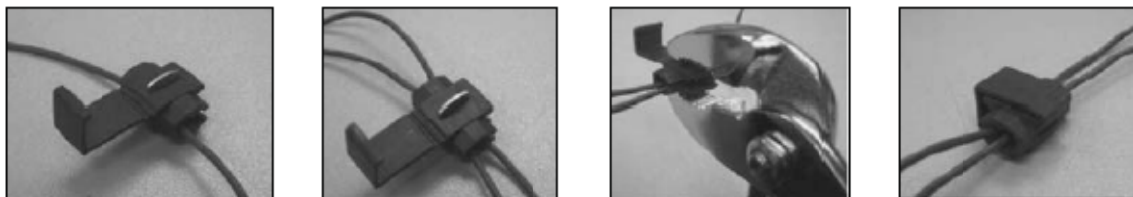
1. Choisissez un chemin d'accès pour le câble d'alimentation de la camera dans l'intérieure du coffre de votre véhicule afin de le brancher sur le faisceau électrique de l'ampoule de marche arrière. Si vous avez des doutes, consultez un professionnel. Votre garagiste, centre auto ou concessionnaire.

2. Certains véhicules ont d'origine un trou à cet effet, qui vous permet de faire passer le câble d'alimentation. Dans le cas contraire il vous faut percer un trou. De préférence derrière la plaque d'immatriculation. Une fois que vous avez identifié l'endroit retirez la camera. Si vous avez la possibilité d'utiliser un trou de passage existant alors vous pouvez sauter le 2 points suivants.
3. Avant de PERCER un TROU, vous devez VERIFIER CE QU'IL Y'A DERRIERE, à l'intérieur de votre véhicule. Si il y'à des câbles, composant ou autre objet, alors vous devez choisir un autre endroit pour percer le trou. Enlever la plaque et la caméra avant de percer.
4. Après avoir percer le trou, veuillez insérer la bague de passage fournie. Elle protège votre câble d'alimentation contre les bords tranchants. Maintenant fixez le boîtier transmetteur dans votre coffre. Raccordez le câble d'alimentation à votre caméra puis au boîtier de transmission.
5. En suite vous devez identifier l'ampoule de marche arrière (généralement le feu blanc). Tournez la clef de contact de votre véhicule, serrez le frein à main puis enclencher la marche arrière. Regardez à l'arrière de votre véhicule ou demander à une autre personne de regarder quelle ampoule s'allume. Trouvez le câble 12/24V qui alimente l'ampoule de marche arrière. Pour se faire vous devez retourner à l'arrière de votre véhicule. Si vous n'y parvenez pas alors consultez un professionnel, votre garagiste ou concessionnaire.
6. Une fois le circuit électrique le l'ampoule de marche arrière identifié, vous devez passer le câble d'alimentation du boîtier transmetteur vers le câble électrique de
  - a. l'ampoule. Fixez le de manière très sûr. Le câble ne doit pas pouvoir être arraché par
  - b. des objets transportés dans le coffre ultérieurement. Ne jamais faire passer le câble
  - c. à l'extérieur du véhicule!
7. La plus part des ampoules de marche arrière sont alimenté par 2 fils électriques. En général le noir est le négatif et le rouge le positif. Dans le doute contrôlez avec un voltmètre 12V/24V (disponible dans la majorité des magasins de bricolage) ou allez consulter un professionnel. Suivez les instructions de la notice du voltmètre.



- 1 = Positive (+)
- 2 = Connecteur
- 3 = Lamp
- 4 = Negative (-)
- 5 = Camera Negative (-) (noir)
- 6 = Camera Positive (+) (colorée)
- 7 = Camera

8. Après avoir déterminé les polarités des fils électriques veuillez retirer la clef de contact puis déconnectez la cosse (-) négative de votre batterie de démarrage (la batterie se situe souvent dans le compartiment moteur du véhicule), ceci afin d'être sûr qu'il n'y ait plus de courant dans les circuits électriques. Pour trouver la batterie veuillez consulter la notice de votre véhicule.
9. Fixez le fil rouge du câble de l'émetteur à l'aide du connecteur rouge dans le câble positif (+) des feux de recul. Prenez une pince pour faire entrer la languette métallique et pliez/accrochez ensuite le couvercle rouge en plastique.



10. Puis répétez l'opération (14) avec le câble négatif (-) (souvent noir).
11. Remplacez l'ampoule de marque arrière et le cache puis sécurisez les câbles de sorte qu'ils ne puissent pas être accrochés par un objet transporté dans le coffre. Pour sécuriser les câbles, veuillez utiliser des serre-fils ou du ruban adhésif pour installations électriques.
12. Reconnectez la cosse négative à votre batterie.

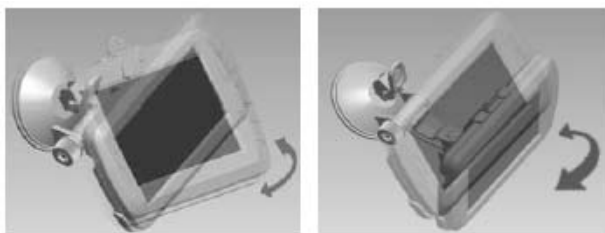
### Installation du moniteur

**Choisissez un endroit qui ne puisse pas gêner la visibilité du conducteur ou d'une manière générale gêner la conduite.**

1. Avant de fixer la ventouse, veuillez bien nettoyer l'endroit où vous voulez la fixer.
2. Positionner la ventouse sur une surface parfaitement plane, lisse et propre.
3. Appuyer la ventouse sur la surface et faire basculer le loquet



4. Enficher le moniteur sur la fixation.
5. Ajuster l'orientation du moniteur puis serrer la vis.



6. Passer la câble d'alimentation 12/24V entre le moniteur et votre prise allume cigare de sorte qu'il ne puisse en aucun cas gêner le conducteur. Même si il devait tomber.
7. Insérer le petit connecteur dans le côté droit du moniteur, c'est le câble d'alimentation 12V/24V.
8. Brancher la prise d'alimentation dans la prise allume cigare de votre véhicule.  
Pour optimiser la fixation du moniteur sur le tableau de bord il est recommandé:
  - De l'installer lors de températures ambiantes de 21 à 38 C°.
  - De ne pas le coller lors de températures sous 10 C°.
  - Ne pas exposer la fixation directement au soleil.
  - De bien dégraisser l'endroit de fixation.
9. Protéger l'installation des rayons du soleil pendant 24 heures.

**REMARQUE: lors d'une lumière ambiante très Claire, le moniteur nécessite un certain temps d'adaptation.**

### **Pour tester le système**

1. Assurez-vous que la cosse négative est branchée sur la batterie du véhicule.
2. Mettez le contact en tournant la clef, ne démarrez pas.
3. Serrez le frein à main puis engagez la marche arrière.
4. Une fois le test effectué et si vous êtes satisfait du résultat, alors fixer définitivement les câbles d'alimentation dans votre coffre.
5. Placez les câbles derrière les caches et moquettes de votre véhicule. Utilisez les serres fils fournis pour fixer le surplus de câbles.

## **FONCTIONEMENT**

### **1. Alimentation**

Insérer la prise 12V allume cigare l'allume cigare du véhicule. Le côté opposé dans le moniteur. Le moniteur fonctionne aussi bien en 12Volt comme en 24 volts

### **2. Utilisation du moniteur**

- a. Appuyer sur la touche « Power » pour mettre en marche le moniteur. Une LED bleu s’allume avec le démarrage du moniteur. Si un signal est reçu (après accouplement de la caméra avec le moniteur, voir ci-dessous) l’image s’affiche sur le moniteur et la LED s’allume en bleu.
- b. Si le moniteur ne reçoit pas de signal, il s’éteint automatiquement et la LED clignote bleu.
- c. Si le moniteur est hors tension, aucune image ne s’affiche et la LED est éteinte.

Fonction des touches sur le moniteur:

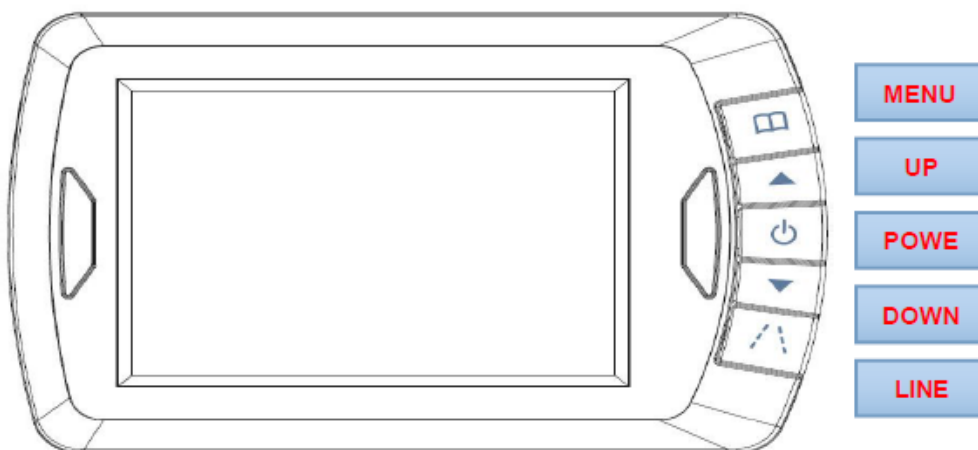
Menu (accès au menu, mais aussi touche retour)

Up / Haut (sert aussi à sélectionner le canal)

Power / Marche-Arrêt (sert aussi de touche de validation)

Down / Bas

Line Guidelines / Lignes graduées (facilite la notion de distance)



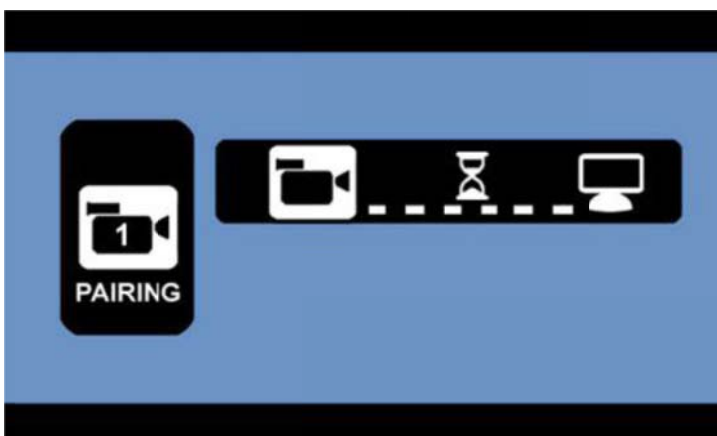
Menu	Sert à rentrer dans le menu ou à retourner à l'étape précédente
Up	Sert à atteindre un choix position plus haut
Power	Sert à allumer ou éteindre le moniteur – Mais aussi pour valider un choix dans le menu
Down	Sert à atteindre un choix position plus bas
Line	Affiche ou retire les lignes graduées

### 3. Appairage

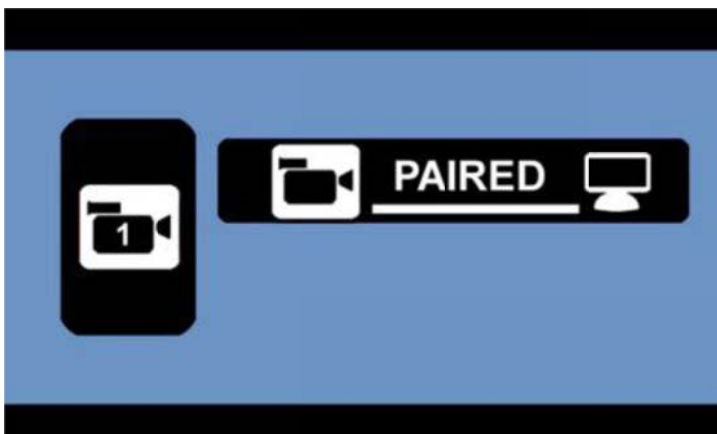
Appuyer sur la touche Menu puis sélectionner le choix « Pairing » et valider à l’aide d’une pression sur la touche « Power ».



Cette image s'affiche:



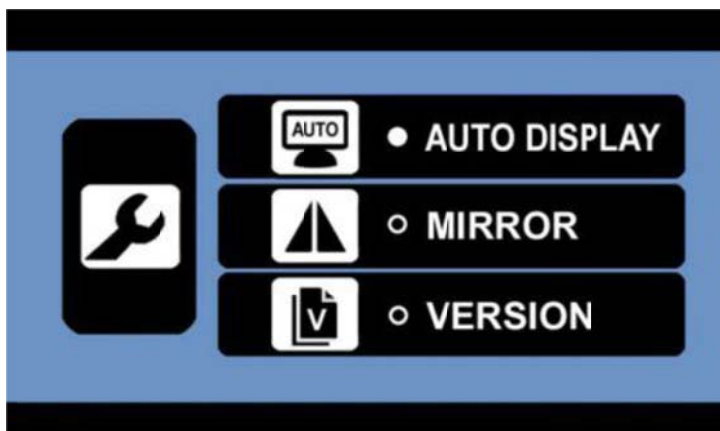
Veillez tout de suite après appuyer sur le petit bouton en plastique en bas de la caméra jusqu'à ce que le moniteur et la caméra soient couplés ensemble et que l'image suivante apparaisse.



A l'avenir la caméra et le moniteur se connecteront automatiquement ensemble.

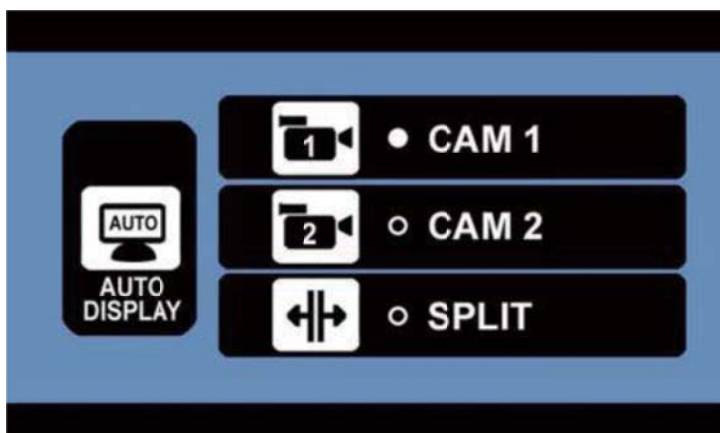
## SETUP (Réglages)

Appuyer sur les touches 'Up » ou « Down » pour accéder au menu « SETUP ».



### 3.1. AUTO DISPLAY

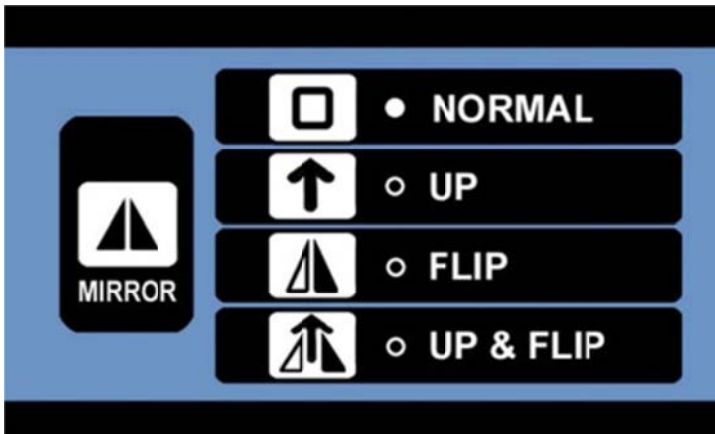
Le sous-menu AUTO DISPLAY vous permet de configurer l'affichage par défaut du moniteur. Vous pouvez choisir d'afficher la caméra nr. 1 ou la nr. 2 en premier ou afficher les 2 caméras ensemble en permanence chaque-une sur une moitié d'écran. Avec les touches UP et DOWN, vous pouvez a tout moment changer le paramétrage.



### 3.2. MIRROR (Miroir)

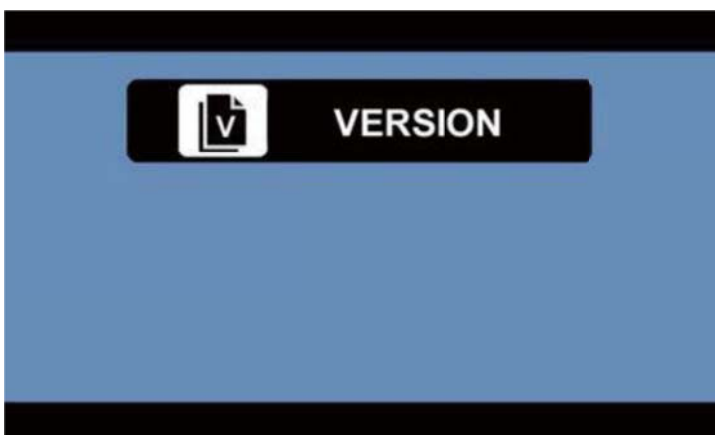
Le sous-menu MIRROR permet de choisir le sens d'affiche de l'image. En fonction de l'installation de la caméra vous pouvez inverser le sens d'affichage. Choisissez puis validez avec la touche Power.





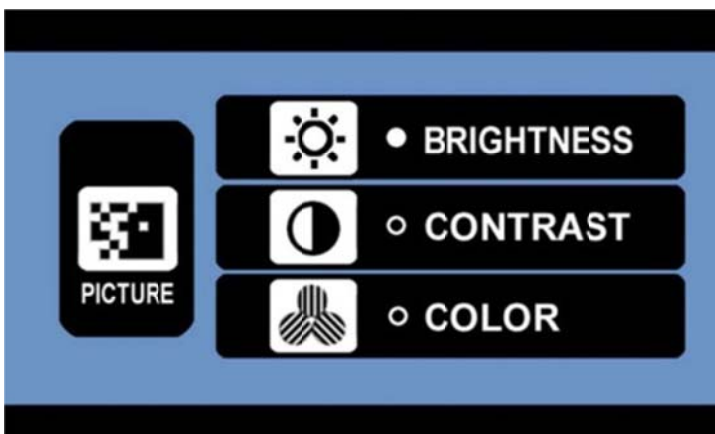
### 3.3. Version

Dans le sous-menu VERSION vous accédez à l'information sur la version du logiciel utilisé. Ici vous pouvez aussi réinitialiser l'appairage des caméras en appuyant 5 secondes sur la touche UP. Ensuite vous devrez refaire l'appairage come indique au menu



### 3.4. PICTURE (Image)

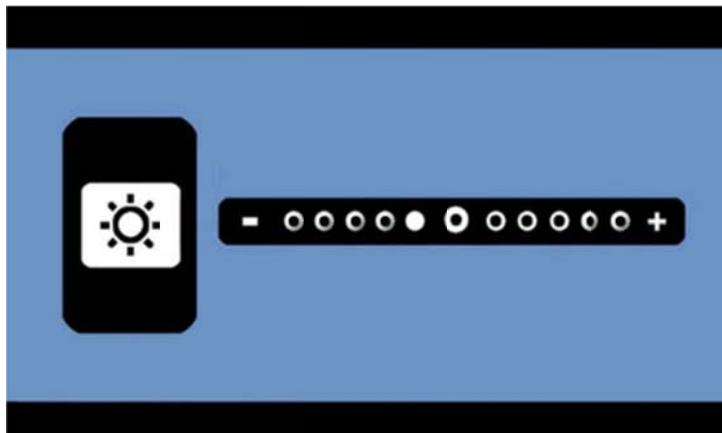
Dans le sous-menu « PICTURE » vous disposez des choix suivants:



Choisissez le réglage souhaité puis validez avec la touche POWER.

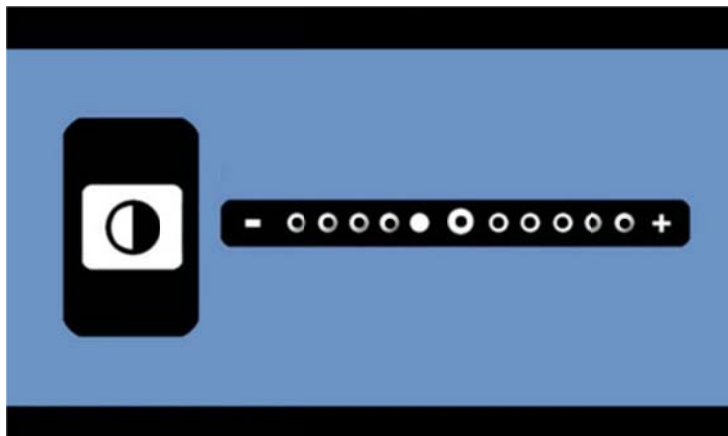
### 3.4.1. BRIGHTNESS setting (Luminosité)

Choisissez le réglage à l'aide des touches flèches (Up-Down) puis validez avec la touche POWER.



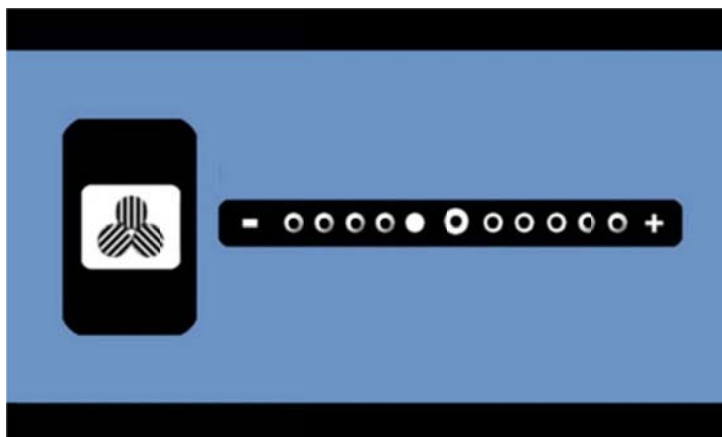
### 3.4.2. CONTRAST setting (Contraste)

Choisissez le réglage à l'aide des touches flèches (Up-Down) puis validez avec la touche POWER.



### 3.4.3. COLOR setting (Couleur)

Choisissez le réglage à l'aide des touches flèches (Up-Down) puis validez avec la touche POWER.



#### 3.4.4. Autres fonctionnalités du moniteur

- Appuyer sur la touche UP alors que le menu est éteint pour activer l'AUTODISPLAY »
- En appuyant sur la touche DOWN lorsque le menu est éteint vous zapper entre les différentes vues des caméras : CAM1 / CAM2 / CAM1 & CAM2

#### 4. Manipulation du moniteur / module de transmission :

- 4.1. Connecter la caméra comme décrit ci-dessus sur l'alimentation du feu de recul, afin que l'appareil s'allume automatiquement lorsque vous enclenchez la marche arrière. Si vous voulez que la caméra soit allumée en permanence pour surveiller par exemple un animal ou une cargaison alors choisissez une autre source ( 8V-30V) d'alimentation. Par exemple les feux de position ou toute autre source 8V-30V permanente.

**Attention : Il est très important de respecter les couleurs (polarité) de branchement.**

**Connectez le fil rouge avec Plus + et le fil noir au négatif - . Ne pas inverser le branchement, cela peut causer un court-circuit, un incendie ou d'autres dégâts dangereux. L'appareil lui-même est équipé d'une protection, une inversion de polarité n'a aucune incidence sur la caméra mais peut créer des dégâts au circuit électrique du véhicule.**

- 4.2. Avant la première utilisation, penser à procéder au couplage des caméras avec le moniteur comme décrit dans le paragraphe « 1.1. Appairage ». Choisissez la CAM1 ou CAM2 puis appuyez sur le petit bouton jusqu'à ce que le moniteur et la caméra soient couplés. Vous devez commencer à appuyer sur le bouton dans les 30 secondes suivant le démarrage de la fonction appairage et rester appuyer.
- 4.3. Dès que vous enclenchez la marche arrière, les caméras allument le moniteur en moins d'une secondes.
- 4.4. Les caméras sont équipées de LED infrarouge pour une bonne vision de nuit.

**ATTENTION : Ne regardez pas dans les LEDs. Ceci peut blesser vos yeux !**

## CARACTERISTIQUES TECHNIQUES

<b>Caméra</b>	
Alimentation	8-30V DC
Consommation	< 350mA
Capteur	CMOS
Nombre. de pixel	720x480
Lentille	F2.1mm / F2.0
Fréquence de transmission	2.4 GHz (ISM band)
Porté (champ libre)	50m
<b>Moniteur LCD</b>	
Alimentation	8-30V DC
Consommation en veille	≤200mA
Consommation en fonctionnement	<250mA
Taille de l'écran LCD	10.9cm / 4.3 inch
Nombre. de pixel	480x272
Température de fonctionnement	-10 bis +45 Grad Celsius

Ce model peut être utilisé dans les pays de l'union européenne



**R&TTE**  
approved



## CONSIGNES DE MISE A REBU



Les appareils électroniques ne doivent pas être mis à rebu avec les ordures ménagères. Veuillez les porter aux déchèteries prévues à cet effet. Consultez votre revendeur ou votre mairie afin de connaître la procédure de recyclage.

## GARANTIE

Pro-User garantie ses produits pendant 2 ans à partir de la date d'achat originelle. La garantie n'est pas transférable. La garantie en cas de panne couvre uniquement la main d'oeuvre et le matériel. Pour faire valoir la garantie veuillez retourner l'appareil à votre revendeur accompagné de votre facture d'achat. La garantie ne s'applique pas si l'appareil a été endommagé ou détourné de son utilisation initiale tel que décrite dans la notice d'utilisation. La garantie ne s'applique pas si il y'a eu des tentatives de réparation non autorisées. Pro-User ne s'engage sur aucun autre terme de garantie. Pro-User est responsable que de la réparation ou de l'échange du produit (à la discrétion de Pro-User) et non des dommages ou désagrément résultant du défaut et de l'utilisation du produit.

## INLEIDING

De Pro-User DRC4340 maakt deel uit van de serie geavanceerde achteruitrijssystemen vervaardigd door Pro User International Ltd.

De Pro-User digitale draadloze achteruitrijcamera en monitor, mits gebruikt zoals beschreven, zorgen ervoor dat u beter zicht hebt op alles achter uw auto, camper, aanhangwagen of bestelbus. We hebben vele maatregelen genomen tijdens kwaliteitscontroles zodat het product u in topconditie bereikt en naar uw tevredenheid zal werken.

**Lees de volgende veiligheids- en bedieningsinstructies zorgvuldig door.**

## BELANGRIJKE VEILIGHEIDS INSTRUCTIES

### Voordat u het systeem installeert

Als u niet thuis bent in het werken met de 12/24-volt DC bedrading van uw voertuig, het demonteren en opnieuw aanbrengen van de binnenpanelen, vloerbedekking of andere onderdelen van uw voertuig, neem dan contact op met de fabrikant van het voertuig of overweeg om het camerasysteem door vaklieden te laten installeren.

### Storing

Dit apparaat is niet gevoelig voor storingen veroorzaakt door mobiele telefoons, Bluetooth headsets, Wi-Fi routers, elektriciteitsleidingen en andere elektrische apparaten, etc.

### Reparatie

Het camerasysteem mag niet geopend worden. Elke poging tot wijziging of reparatie door de gebruiker heeft tot gevolg dat uw garantie vervalt.

## ONDERDELEN

### 1. Beeldscherm en bevestigingsarm



### 2. Camera met montage plaat



3. Metalen steun (bijgeleverd).



4. installatieaccessoires



5. netsnoer voor beeldscherm



## INSTALLATIE

**Deze instructies zijn niet op alle voertuigen van toepassing. Gezien het aantal verschillende merken & modellen zijn ze slechts bedoeld als een algemene leidraad. Voor vragen m.b.t. uw specifieke voertuig kunt u contact opnemen met de fabrikant van uw voertuig.**

### Installatie van de camera

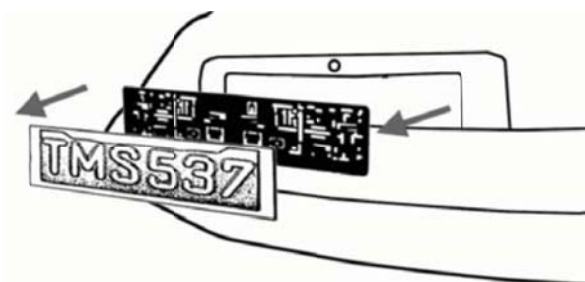
De camera kan op verschillende manieren achter op uw auto worden gemonteerd. Het makkelijkste is echter om hem bij de kentekenplaat van de auto te monteren. Er is een bevestigingsplaat bijgeleverd die vastgezet kan worden achter het kenteken. De camera kan op deze plaat worden vastgezet.

De hoek van de camera is instelbaar in verticale richting. Zorg ervoor dat er geen obstakels het zicht van de lens belemmeren.

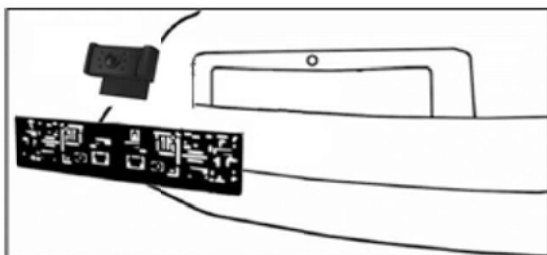


A1. Verwijder de kentekenplaat en draai vervolgens de bouten/schroeven van de

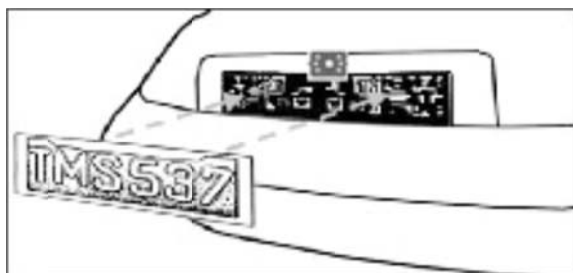
kentekenplaathouder los.



A2. Plaats de meegeleverde bevestigingsplaten (samen met de camera) achter de houder van de kentekenplaat. Zet zowel de houder van de kentekenplaat en de bevestigingsplaten vast met de bouten/schroeven van de kentekenplaathouder.

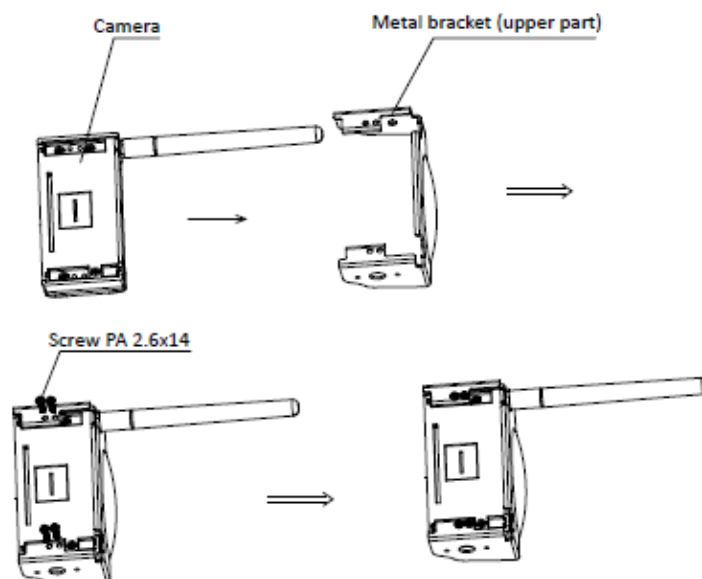


A3. Monteer de kentekenplaat op de kentekenplaathouder.

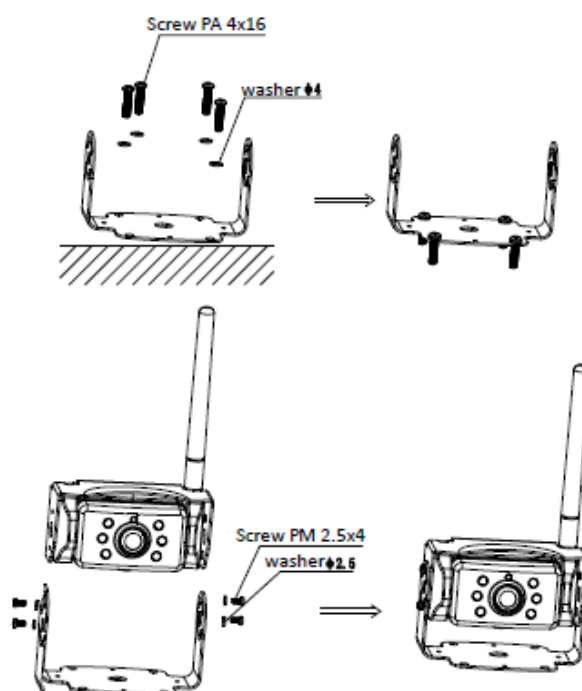


Bij sommige autotypes is het niet mogelijk om de camera bij het kenteken te bevestigen. Misschien moet u een andere plaats zoeken achter op uw auto om de camera aan te bevestigen met de meegeleverde bouten en schroeven.

B1. Schroef vervolgens de camera van de kentekenplaathouder af en bevestigt deze aan de bovenste metalen steun (bovenste deel), zoals op de foto's hieronder:



B2. Bevestig dan het onderste deel van de steun aan uw voertuig en bevestig vervolgens het bovenste deel van de steun samen met de camera op onderste steun zoals aangegeven op onderstaande foto's.

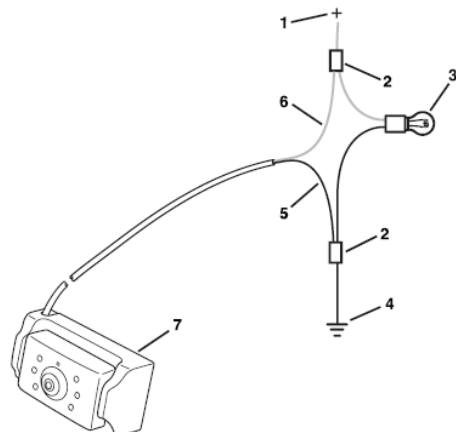


Daarna volgt het aanbrengen van de bedrading aan het voertuig en wel als volgt:

1. Kies een traject voor de voedingskabel van de camera door het carrosserie van het voertuig naar de bedrading van de achteruitverlichting. Schakel in geval van twijfel professionele hulp in voor de installatie.

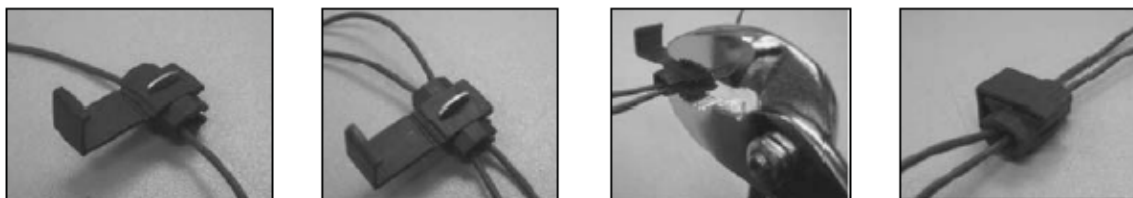


2. Sommige voertuigen kunnen een gat hebben waar de kabel doorheen kan, zoals waar de kentekenplaatverlichting is gemonteerd, of u kunt een gat boren dicht bij waar de voedingskabel bevestigd wordt aan de camera. Als u eenmaal gekozen heeft waar de kabel de carrosserie van het voertuig naar binnen zal gaan, verwijder dan de camera. Als u een bestaande opening kunt gebruiken, slaat u de volgende twee stappen over.
3. Voordat u een gat boort **MOET U CONTROLEREN** en nakijken **WAT ZICH ACHTER DE PLAATS BEVINDT WAAR U WILT BOREN**. Als zich daar onderdelen van het voertuig bevinden, zoals elektrische onderdelen of onderdelen van het brandstofsysteem, moet u alle noodzakelijke voorzorgsmaatregelen nemen om deze niet te beschadigen. Verwijder de kentekenplaat en de camera voordat u gaat boren.
4. Plaats na het boren de meegeleverde doorvoertule in het gat en leidt de kabels van de camera door de doorvoertule het voertuig in. U moet de doorvoertule gebruiken om te voorkomen dat de metalen rand van het gat de kabel van de camera beschadigt. Bevestig de zender in de kofferbak. Sluit de voedingskabel van de zender en die van de camera aan op de zender.
5. Nu moet u kijken waar de achteruitrijlichten van het voertuig zich bevinden. Draai de contactsleutel in de accessoirestand, activeer de handrem en zet de auto in zijn achteruit. Kijk naar de achterlichten van het voertuig om te zien waar de achteruitrijlichten zich bevinden; dit zijn de witte lichten. Om de 12/24V+ kabel van de achteruitrijlichten te vinden moet de achterzijde van de achteruitrijlichten toegankelijk zijn. Als u hulp nodig heeft bij het vinden van de stroomkring van uw achterlichten neem dan contact op met de fabrikant van uw voertuig voor de bedradingschema's van uw voertuig.
6. Als u de stroomkring van de achterlichten heeft gevonden moet u de voedingskabel van de zender naar die plaats leiden. U moet de voedingskabel stevig vast zetten om te voorkomen dat de kabel klem komt te zitten in een onderdeel van de auto zoals de scharnier van de achterbakklep. Leidt de kabel nooit langs de buitenzijde van het voertuig!
7. Bij de meeste voertuigen zijn er twee kabels aangesloten op de contactdoos voor de achterlichten. Gewoonlijk is de negatieve kabel zwart en de positieve kabel gekleurd. Als u niet zeker bent van de bedrading, kunt u een 12V/24V multimeter gebruiken die verkrijgbaar is bij de meeste winkels met auto-onderdelen om te bepalen welke positief is. Volg de aanwijzingen van de fabrikant op voor veilig gebruik van de multimeter.



- 1 = Positief (+)
- 2 = Gewricht
- 3 = Lamp
- 4 = Negatief (-)
- 5 = Camera Negatieve (-) (zwart)
- 6 = Camera Positief (+) (gekleurde)
- 7 = Camera

8. Nadat u heeft bepaald welke kabel de positieve en welke de negatieve is, draait u de contactsleutel weer naar de 'off' stand en vervolgens verwijdert u de negatieve kabel van de accu.
9. Verbind de rode kabel met de positieve (+) kabel van de achteruitrijlichten in serie door gebruik te maken van de meegeleverde lasklem. Gebruik een combinatietang voor het aandrukken om te zorgen voor een goede aansluiting.



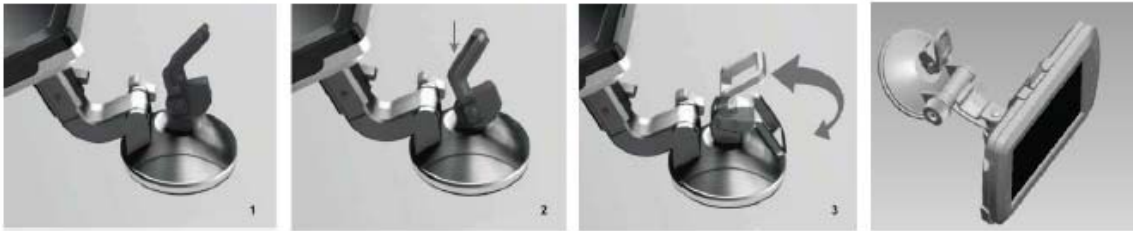
10. Verbind vervolgens de zwarte voedingskabel van de zendeenheid met de negatieve (-) kabel of aarde van het achteruitrijlicht.
11. Plaats het lichtpeertje van het achteruitrijlicht weer terug en installeer de contactdoos opnieuw. Zet alle kabels vast met kabelbinders of isolatietape.
12. Bevestig de negatieve accukabel weer aan de accu.

### Installatie van de monitor

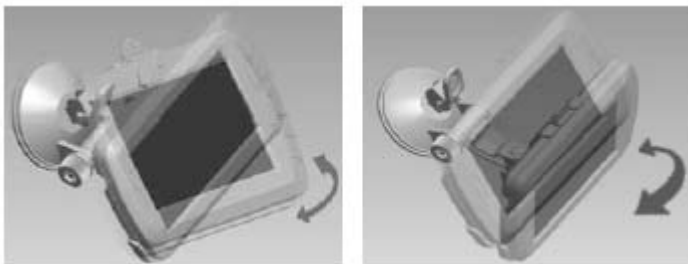
**Verzekert u ervan bij het bepalen van de plaats voor uw monitor dat de monitor u het zicht niet belemmert bij het rijden.**

1. Reinig de door uw gekozen locatie grondig voor u het beeldscherm definitief monteert.
2. Plaats de zuignap op de door u gekozen locatie
3. Duw de zuignap goed aan op het door u gereinigde oppervlak zoals het dashboard of het raam. Duw het handeltje naar beneden om de zuignap goed vast te zetten op het oppervlak.





4. Schuif het beeldscherm in de arm die aan de zuignap vastzit.
5. Draai de arm en de kop zodanig tot het beeldscherm in de juiste hoek staat en draai de schroefjes stevig vast.



6. Gebruik het bijgeleverde 12/24 volt netsnoer met aansluitbus voor de sigarettenaansteker. Zorg ervoor dat de kabel niet het veilig rijden van de auto beïnvloed.
7. Steek de kleine 12/24 Volt DC plug van het netsnoer in de rechterkant van het beeldscherm.
8. De aansluitbus aan de andere kant van het snoer kan bevestigd worden in de het contact van de sigarettenaansteker van de auto.
9. Om de effectiviteit van de bevestiging te maximaliseren wordt het aanbevolen dat dit wordt uitgevoerd onder de volgende omstandigheden:
  - De temperatuur van het oppervlak moet tussen de 21 en 38 graden Celsius zijn.
  - Uitvoering bij een temperatuur minder dan 10 graden moet vermeden worden.
  - Het mag niet worden gedaan in direct zonlicht.

De bevestiging niet blootstellen aan direct zonlicht voor een periode van 24 uur.

**N.B.: ONDER OMSTANDIGHEDEN MET EXTREEM HELDER LICHT KAN HET EEN PAAR SECONDEN DUREN VOORDAT HET BEELD ZICH STABILISEERT. WACHT TOTDAT HET BEELD IS GESTABILISEERD VOORDAT U ACHTERUIT RIJDT.**

### Testen van het systeem

1. Verzeker u ervan dat beide accukabels zijn aangesloten op de accu van de auto.

2. Draai de contactsleutel in de accessoirestand, start het voertuig niet.
3. Activeer de handrem en zet de versnelling in zijn achteruit.
4. Na het testen van het systeem en als u tevreden bent met de route die u heeft gekozen voor de bekabeling, moet u het systeem permanent installeren.
5. Leidt alle kabels achter binnenpanelen of onder tapijt zodat ze verborgen zijn. Gebruik de meegeleverde kabelbinders om overtollige kabel netjes bij elkaar te houden.

## BEDIENING

### 1. Voeding:

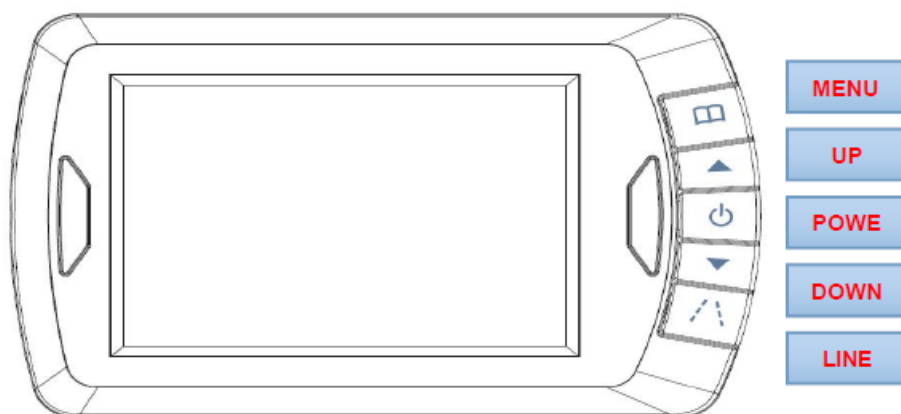
Steek de adapter in de sigarettenaansteker en de aan de andere zijde aangebrachte plug in de monitor. Het systeem is ontworpen voor 12V en 24V.

### 2. De bediening van de monitor

- a. Druk op de "Power-knop" om de monitor van stroom te voorzien. Een blauw LED licht op en de monitor gaat automatisch aan. Als er een signaal wordt ontvangen (na een succesvolle koppeling, zie hieronder), wordt het beeld op het scherm weergegeven en de LED geeft blauw licht.
- b. Wanneer de monitor geen ingangssignaal ontvangt, dan schakelt het scherm zich automatisch uit en de blauwe LED begint te knipperen.
- c. Wanneer de monitor is uitgeschakeld, wordt er geen beeld weergegeven en de blauwe LED is uit.

**De volgende knoppen zijn gemonteerd op de monitor:**

Menu (ook Return-knop)  
Up / Hoog (ook kanaalkeuze schakelaar)  
Power (ook bevestiging schakelaar)  
Down / omlaag  
Line Guidelines / Afstandshulplijnen



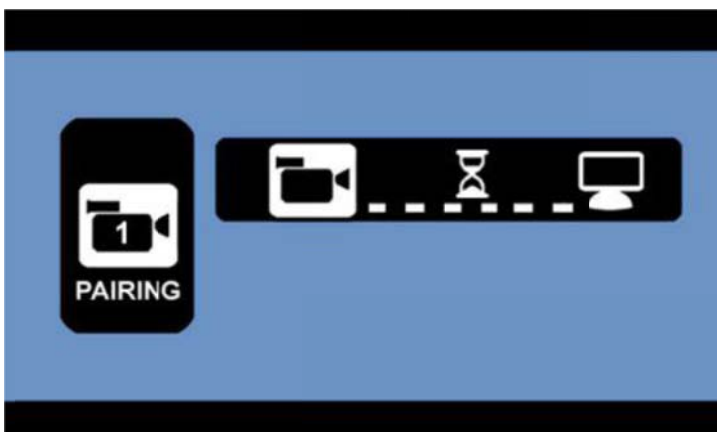
Menu	Drukken om het menu weer te geven of terug te keren naar het vorige item in het menu.
Up/Omhoog	Druk op deze knop om naar voren of naar boven te gaan.
Power/Spanning	Aan en uit schakelen en de bevestigingsschakelaar in de menu-modus.
Down/Omlaag	Druk op deze knop om naar achteren of naar beneden te gaan.
Line/Lijn	Schakelt de afstandshulplijnen op het display aan en uit.

### 3. Koppeling

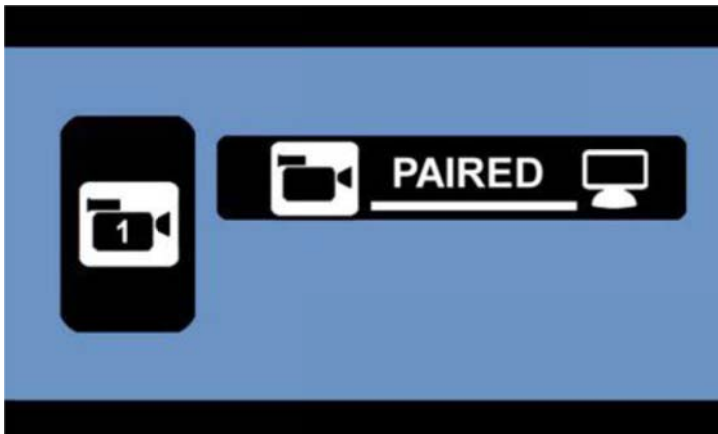
Druk op de MENU-knop en selecteer het item "Pairing". Bevestig deze keuze met de knop "Power".



Het volgende scherm verschijnt:



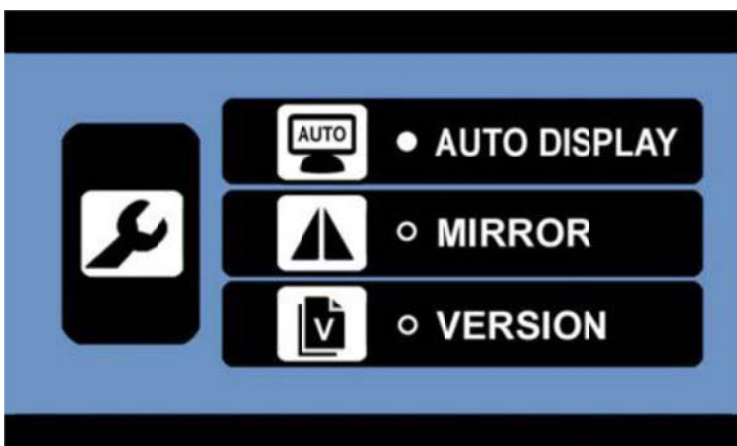
Druk kort daarna zo lang op de kleine plastic knop aan de onderkant van de camera totdat de monitor en de camera met elkaar zijn verbonden en het beeld onder op de monitor te voorschijn komt.



In het vervolg zullen de camera en de monitor elkaar automatisch detecteren en is een handmatige koppeling niet meer nodig.

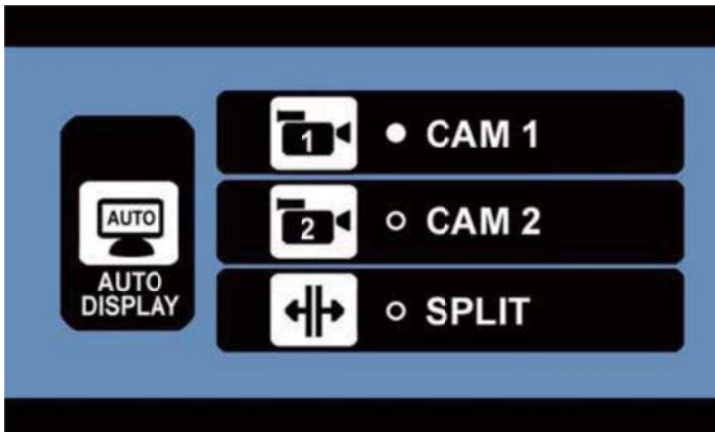
#### 4. SETUP

Druk op de "UP" of "Down" knop om het SETUP-menu te komen.



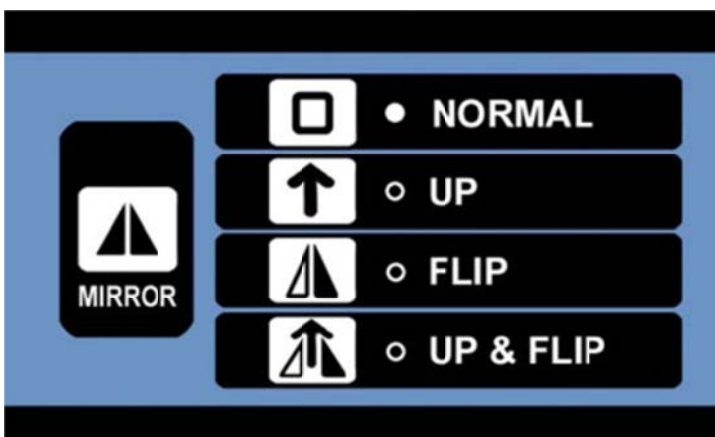
##### 4.1. AUTO DISPLAY

In het submenu AUTO DISPLAY kunt u instellen of u camera 1, camera 2 of een gedeeld scherm als standaard wilt instellen. U hebt naderhand met "UP" en "DOWN" knoppen altijd nog de mogelijkheid om de gekozen camera-instelling te wijzigen.



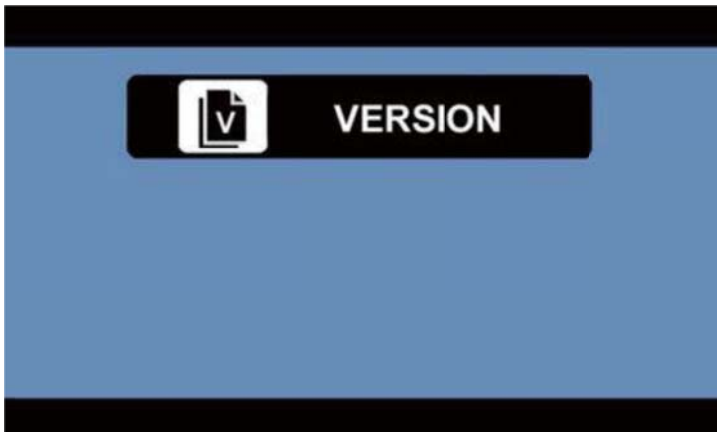
#### 4.2. MIRROR / SPIEGEL

In het submenu "Mirror", kunt u instellen of het beeld normaal, omgedraaid, verkeerd gespiegeld of omgedraaid en verkeerd gespiegeld moet worden weergegeven. Kies de gewenste instelling en bevestig dit met de "Power" knop.



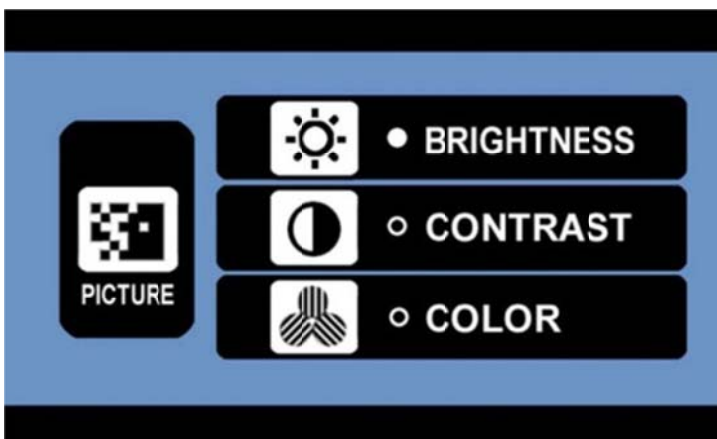
#### 4.3. Version / Versie

Op het submenu "Versie" kunt u de huidige versie van de software die in de camera en de monitor is geïnstalleerd controleren. Hier hebt U ook de mogelijkheid om alle gekoppelde camera's te verwijderen door de "UP" knop 5 seconden ingedrukt te houden. Daarna moet U de camera's opnieuw koppelen om weer beeld te krijgen.



#### 4.4. PICTURE / BEELD

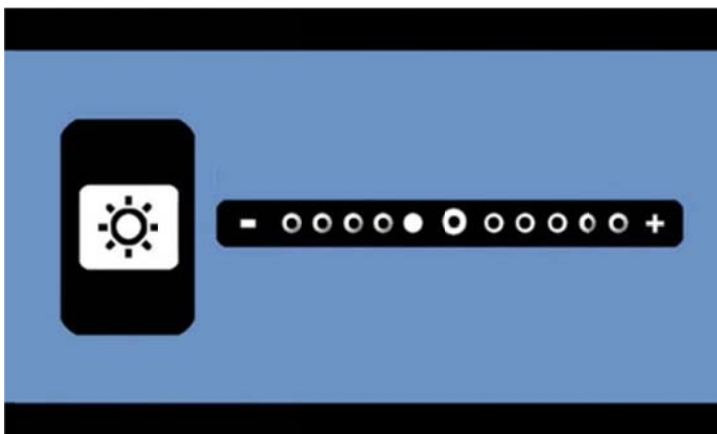
In het submenu "PICTURE" heeft U de volgende keuzes:



Selecteer de gewenste instelling en bevestig deze met de "Power" knop.

##### 4.4.1. BRIGHTNESS setting / HELDERHEID instelling

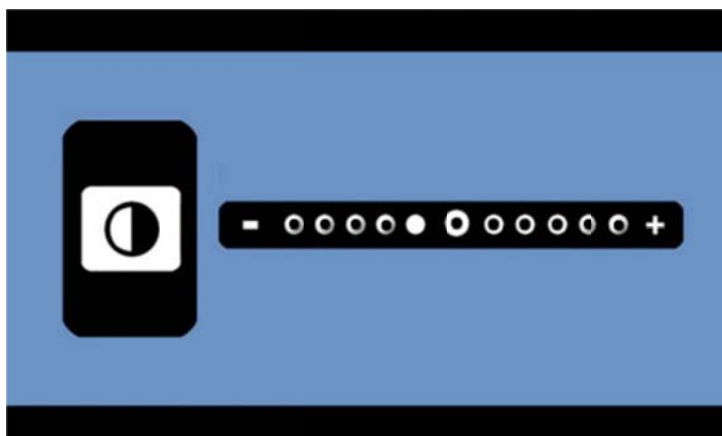
Gebruik de pijltjestoetsen om de gewenste helderheid te selecteren en bevestig de keuze door op de "Power" knop te drukken.





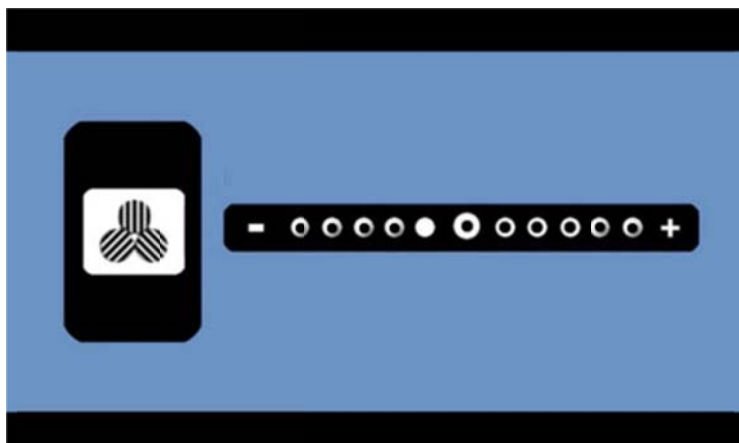
#### 4.4.2. CONTRAST setting / CONTRAST instelling

Gebruik de pijltoetsen om het gewenste contrast te selecteren, bevestig de selectie door op de "Power" knop te drukken.



#### 4.4.3. COLOR setting / KLEUR instelling

Gebruik de pijltjestoetsen om de kleursterkte te selecteren, bevestig de selectie door op de "Power" knop te drukken.



#### 4.5. Vervolg bediening monitor

- Wanneer het menu afgesloten is en u wilt de autodisplay activeren, druk dan op "Up".
- Wanneer het menu afgesloten is en u wilt tussen CAM1 / CAM2 / CAM1 & CAM2 schakelen, druk dan op "DOWN".

#### 5. Omgaan met de camera / Module zenden:

- 5.1. Sluit de camera, zoals hierboven is omschreven, aan op de achteruitrijdlichten, zodat de camera automatisch wordt ingeschakeld wanneer u achteruit rijdt. Als u de camera voor constant toezicht wilt toepassen op bijvoorbeeld uw lading of vee, dan moet u de camera op de binnenverlichting of op een andere 8-30V spanningsbron van uw voertuig of aanhangwagen aansluiten. Zorg er beslist voor dat de rode draad met Plus + en de zwarte draad naar Negatief –

wordt aangesloten.

Niet verkeerd aansluiten, omdat er dan kortsluiting, brand of andere gevaarlijke situaties kunnen ontstaan. De camera zelf is met een zekering uitgerust en het met de verkeerde polen aansluiten beschadigt de camera niet.

- 5.2. Wanneer u het systeem voor het eerst gaat gebruiken, let u er dan op dat de camera aan de monitor moet worden gekoppeld. Kies zoals hierboven is omschreven de "Pairing" modus, selecteer CAM1 of CAM2 en druk binnen 30 seconden net zo lang op de kleine knop op de camera totdat de koppeling is voltooid.
- 5.3. De gekoppelde camera's laten de monitor in minder dan een seconde aan gaan nadat deze door middel van het achteruitrijdlicht of aan andere stroombron van spanning worden voorzien.
- 5.4. De camera is voor een goed zicht bij duisternis voorzien van infrarood-LED's. Deze schakelen automatisch bij duisternis aan.

Waarschuwing: Gelieve niet te lang kijken in de LED's, omdat dit tot oogletsel kan leiden.

## TECHNISCHE SPECIFICATIES

<b>Camera</b>	
Voedingsspanning	8-30V DC
Stroomverbruik	< 350mA
Beeld sensor	CMOS
Aantal pixels	720x480
lens	F2.1mm / F2.0
Zendfrequentie	2.4 GHz (ISM band)
RF zendafstand (open ruimte)	50m
<b>LCD monitor</b>	
Voedingsspanning	8-30V DC
Stroomverbruik "standby"	≤200mA
Stroomverbruik operationeel	<250mA
LCD display schermgrote	10.9cm / 4.3 inch
Aantal pixel	480x272
Temperatuur bij gebruik	-10 bis +45 Grad Celsius

Dit model kan in EU-Landen worden gebruikt.



**R&TTE**  
approved



## BESCHERMING VAN HET MILIEU



Overtollige elektrische producten moeten niet met het huisafval worden weggegooid. A.u.b. recyclen indien daar voorzieningen voor zijn. Vraag uw plaatselijke overheid of verkoper om advies bij het recyclen.

## GARANTIE

Pro-User garandeert dit product voor een periode van 2 jaar na de datum van verkoop aan de oorspronkelijke koper. De garantie dekt alleen defecten van handwerk en materialen. Om garantieservice te verkrijgen, a.u.b. het apparaat terugbrengen naar de plaats van aankoop of naar een geautoriseerde Pro-User dealer samen met uw bewijs van aankoop. De garantie is ongeldig wanneer het product beschadigd is of niet is gebruikt zoals beschreven in deze handleiding. De garantie is ongeldig indien er een niet-geautoriseerde reparatie is uitgevoerd. Pro-User geeft geen andere expliciete of impliciete garantie. Pro-User is alleen verantwoordelijk voor reparatie of vervanging (naar goeddunken van Pro-User) van het defecte product en is niet verantwoordelijk voor eventuele gevolgschade of ongemak veroorzaakt door het defect.



## EG – Konformitätserklärung / EU – Declaration of Conformity

Hiermit bestätigen wir, dass das nachfolgend bezeichnete Gerät den angegebenen Richtlinien entspricht.

We herewith confirm that the appliance as detailed below complies with the mentioned directives.

**Artikelbezeichnung / Article description:**     **Digitales Kabelloses Rückfahrkamerasystem / Digital Wireless Backup Camera System**  
**Artikelnummer / Article number:**             **20134**  
**Model / Type:**                                     **DRC4340**  
**Firmenanschrift / Company address:**       **Pro-User Europe GmbH, Seestrasse 19, 83253 Rimsting, Germany**

**Einschlägige EG-Richtlinien / governing EU-directives / directives CE concernées:**

- |  |  |
|--|--|
| <input checked="" type="checkbox"/> 1. Elektromagnetische Verträglichkeit<br>Electromagnetic compatibility (EMC)<br>2014/30/EU                                     | <input checked="" type="checkbox"/> 2. Niederspannungs-Richtlinie<br>Low voltage directive<br>2014/35/EU |
| <input checked="" type="checkbox"/> 3. Funkanlagen und<br>Telekommunikations-endeinrichtungen<br>Radio and Telecommunication Terminal Equipment<br>R&TTE 1999/5/EC | <input checked="" type="checkbox"/> 4. ROHS-Richtlinie<br>ROHS directive<br>2011/65/EC                   |

**Harmonisierte EN-Normen / harmonised EN- Standarts**

Dieser Artikel entspricht folgenden, zur Erlangung des CE-Zeichens erforderlichen Normen:

The article complies with the standards as mentioned below wich are necessary to obtain the CE-symbol:

Zu 1. EN55022: 2010 EN55024:2010+A1: 2015	Zu 3. EN 300 440-1 V1.6.1:2010 EN 300 440-2 V1.4.1:2010 EN 301 489-1 V1.9.2:2011 EN 301 489-3 V1.4.1:2002
Zu 2. EN 60950-1: 2006+A11: 2009+A1: 2010 +A12: 2011+A2: 2013	Zu 4. IEC62231:2008

Unterschrift / Signature & Firmenstempel / Company Chop:

Stellung im Betrieb / Position: Geschäftsführer: Managing Director

Ausstellungsdatum / Date of issue:     10.01.2017



Pro-User Europe GmbH, Seestrasse 19, 83253 Rimsting, German

## NOTES

---

---

---

---

---

---

---

---

---

---

## NOTES

---

---

---

---

---

---

---

---

---

---

## NOTES

---

---

---

---

---

---

---

---

© Pro-User Europe



**Pro-User Europe GmbH**

Seestrasse 19

83253 Rimsting    [sales@pro-user.com](mailto:sales@pro-user.com)

Germany        [www.pro-user.com](http://www.pro-user.com)

Registergericht: Amtsgericht Traunstein

Registernummer: HR 18720