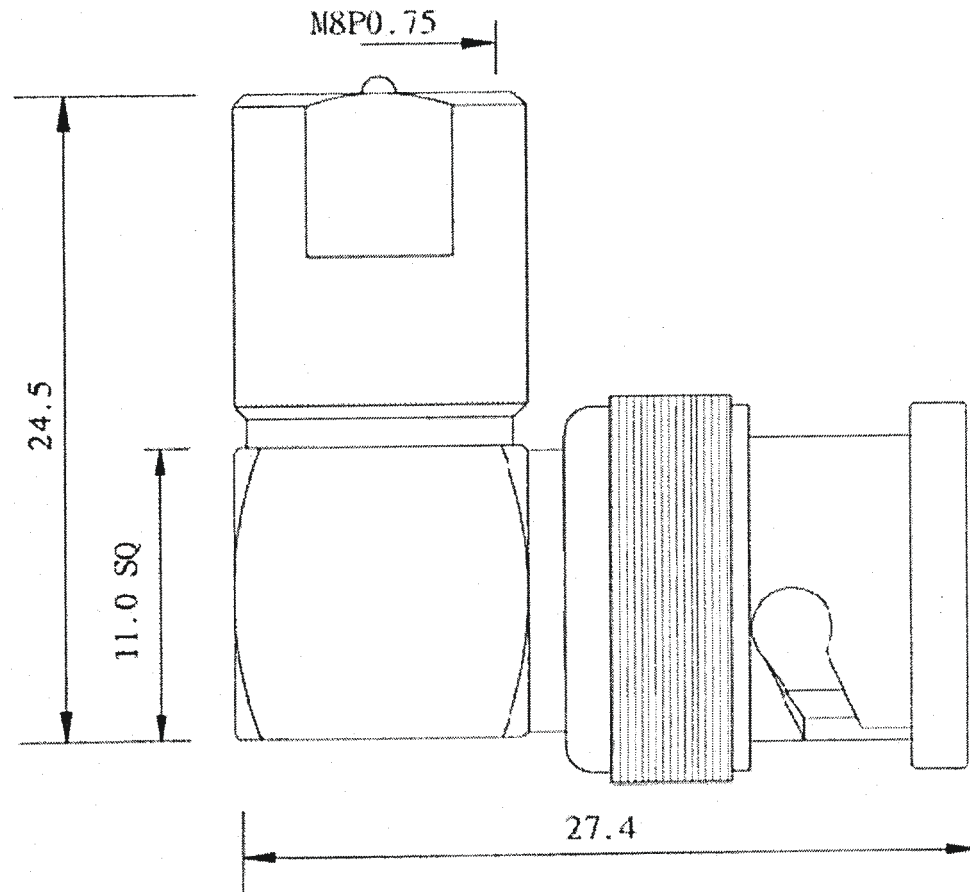


Bez.: Adapter, BNC-Stecker auf SAP/FME-Stecker, Winkelausführung



Impedance	50Ω
Frequency range	0-3 GHz
VSWR (straight connectors)	≤ 1.22 typ
Insulation resistance	≥ 5 × 10 ³ MΩ
Center contact resistance	≤ 10.0 mΩ
Outer contact resistance	≤ 5.0 mΩ
Test voltage	1000V rms
Working voltage	500 V rms
Insertion loss(dB)	≤ 0.1dB max/1GHz typ

No.	DESCRIPTION	MATERIAL	FINISH
1	BODY	BRASS	NICKEL
2	CONTACT	BRASS	GOLD
3	INSULATOR	DELRIN	WHITE