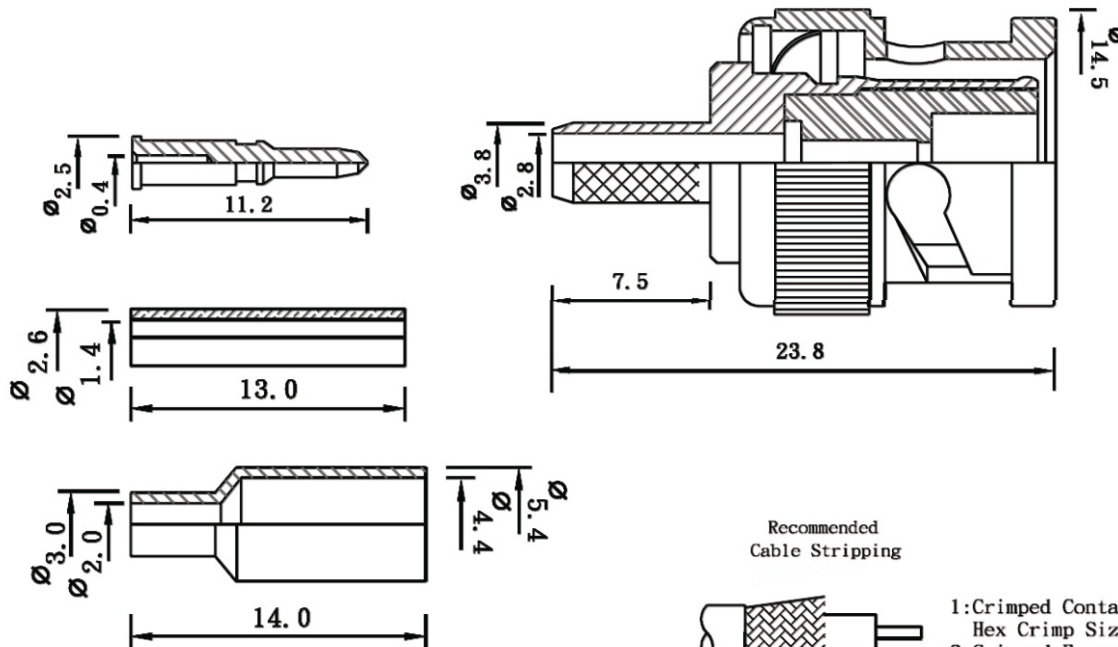


Bez.: BNC-Stecker, Crimpauf., RG 178U

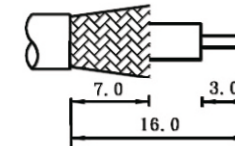
Electrical	
Impedance	50 Ω
Frequency range	0-4GHz
VSWR	≤ 1.2 typ
Test voltage	1500 volts rms
Working voltage	400 V rms
Voltage rating	500 volts peak
Power handling	≤ 80 W (2GHz)
Other (MIL-C-39012 Cable Connectors)	Contact resistance: center contact ≤ 1.5 mΩ outer contact ≤ 1 mΩ Insertion loss: ≤ 0.1x√f(GHz)dB Insulation resistance: ≥ 5000 mΩ
Material	
Mating cycles	≥ 500
Center contact captivation	Axial: ≥ 27 N
Environmental	
Temperature range	-45°C-+85°C
Thermal shock	US MIL-STD 202, Meth, 107, Cond. B
Vibration	US MIL-STD 202, Meth, 204, Cond. B
Climatic class	IEC 60068 65/165/21
Shock	US MIL-STD 202, Meth, 213, Cond. B
Corrosion resistance	US MIL-STD 202, Meth, 101, Cond. B
Degree of protection (mated pair)	IEC 60529

NOTE: FINISH (PLATING THICKNESS IN MICRO-INCHES)
 1. BRASS PER JIS-C3604
 2. CONNECTOR INTERFACE PER MIL-STD-348A
 3. PART TO BE CLEAN AND FREE BURRS
 4. NICKEL PL 70 μ" THICK OVER COPPER STRIKE
 5. GOLD PL 1-3 μ" OVER NICKEL PL 70 μ" THICK OVER COPPER STRIKE

6	Support	Delrin	None
5	Ferrule	Brass	Nickel
4	Shell	Brass	Nickel
3	Insulator	Delrin	White
2	Contact	Brass	Gold
1	Body	Brass	Nickel
No	Description	Material	Finish



Recommended Cable Stripping



1: Crimped Contact
Hex Crimp Size: .068"
 2: Crimped Ferrule
Hex Crimp Size: .187"
Hex Crimp Size: .100"