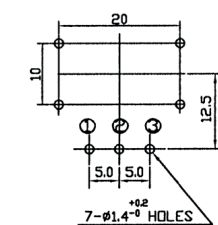
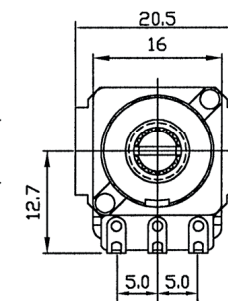
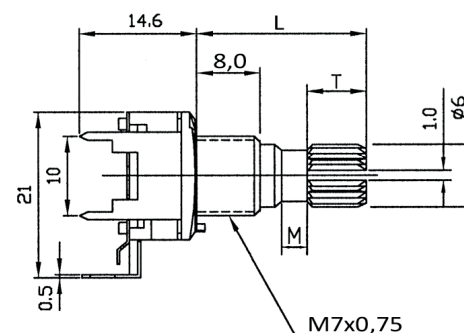


ALPHASTAT 16 63250-218XX

Ausführung / construction: Mono mit Tragkä g / single turn with bracket
 Welle / shaft: \varnothing 6 mm / 18 Zähne, L = 15 mm
 Buchse / bushing: M7 x 0,75
 Drehbereich / rotation angle: $270^\circ \pm 5\%$
 Belastbarkeit / rated wattage: lin. 0,2 W / log 0,05 W
 Printausführung / for printed circuits (PC)
 Kontakte: SPCC, kalt gewalzter Stahl, vernickelt / Cold rolled steel sheets, nickel plated

Order Information

Artikelbez.	Widerstandskurve	Wert
RD1601F40B415KB1K	linear	1 k Ω
RD1601F40B415KB2K5	linear	2,5 k Ω
RD1601F40B415KB5K	linear	5 k Ω
RD1601F40B415KB10K	linear	10 k Ω
RD1601F40B415KB25K	linear	25 k Ω
RD1601F40B415KB50K	linear	50 k Ω
RD1601F40B415KB100K	linear	100 k Ω
RD1601F40B415KB250K	linear	250 k Ω
RD1601F40B415KB500K	linear	500 k Ω



P.C.B. MOUNTING HOLE DETAIL

