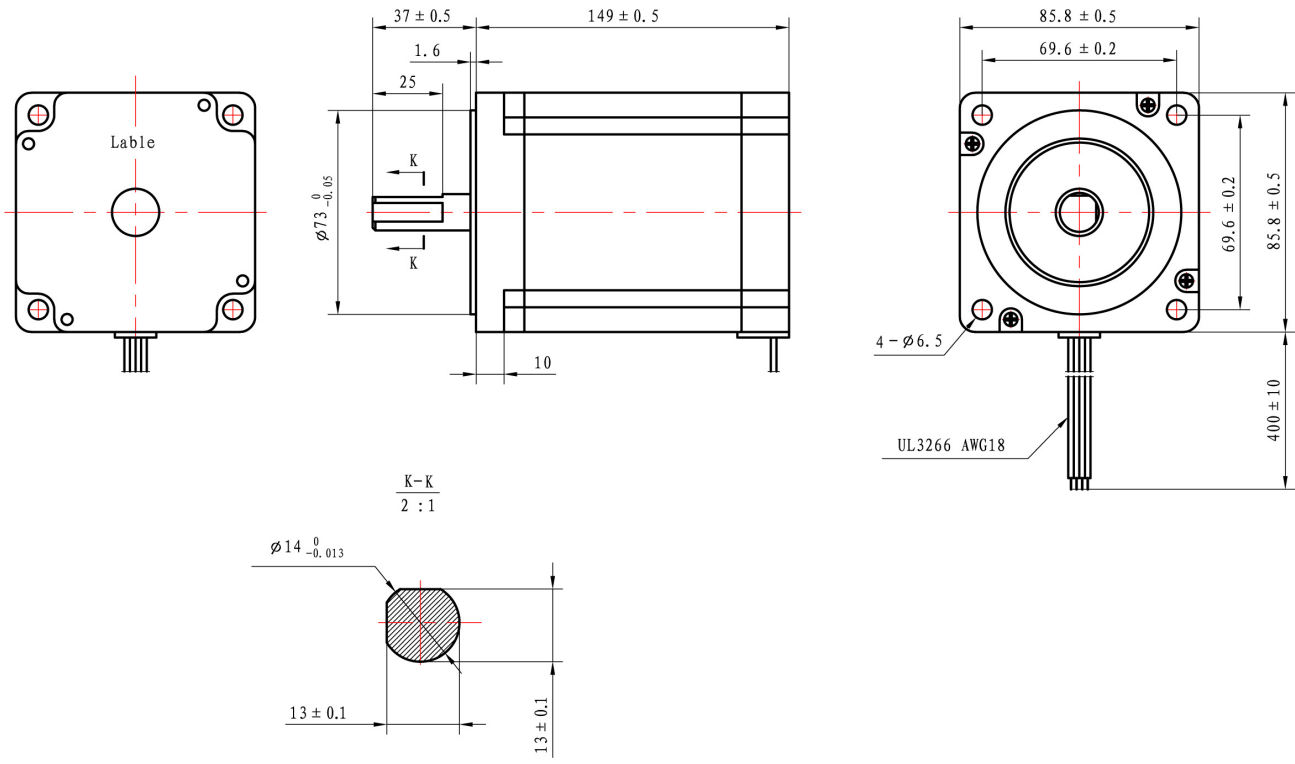
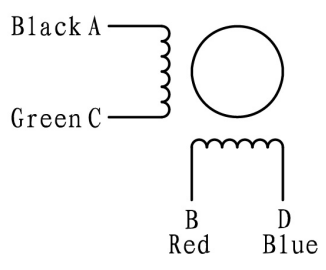


NEMA34-01

Schematische Zeichnungen



Wiring diagram



Excitation sequence and direction of rotation

PHASE STEP	A	B	C	D
1	+	+	-	-
2	-	+	+	-
3	-	-	+	+
4	+	-	-	+

↓
 CW

 ↑
 CCW

seen from the mounting surface,
it is clockwise